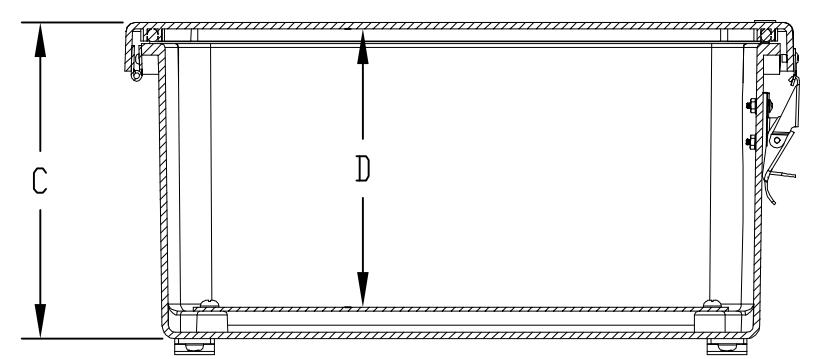
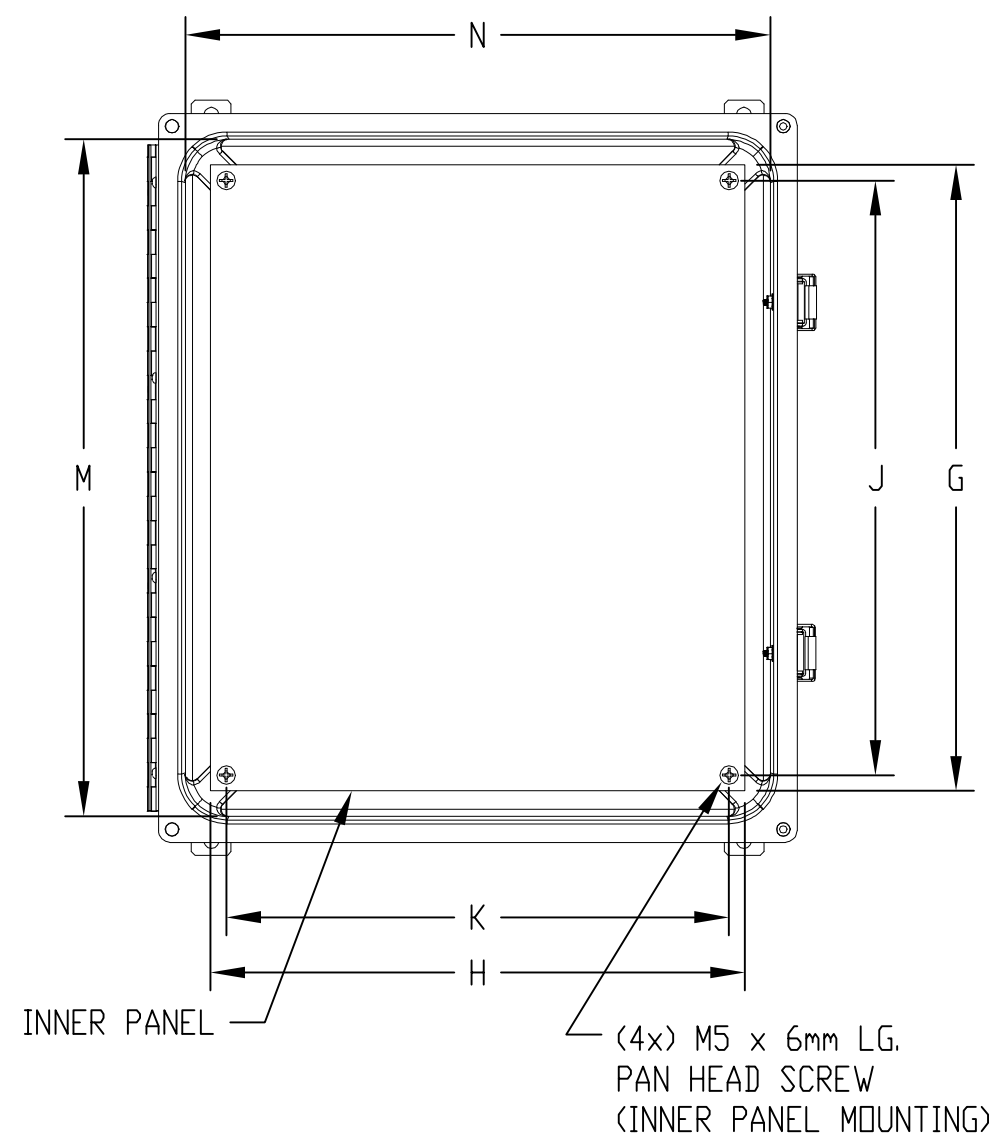
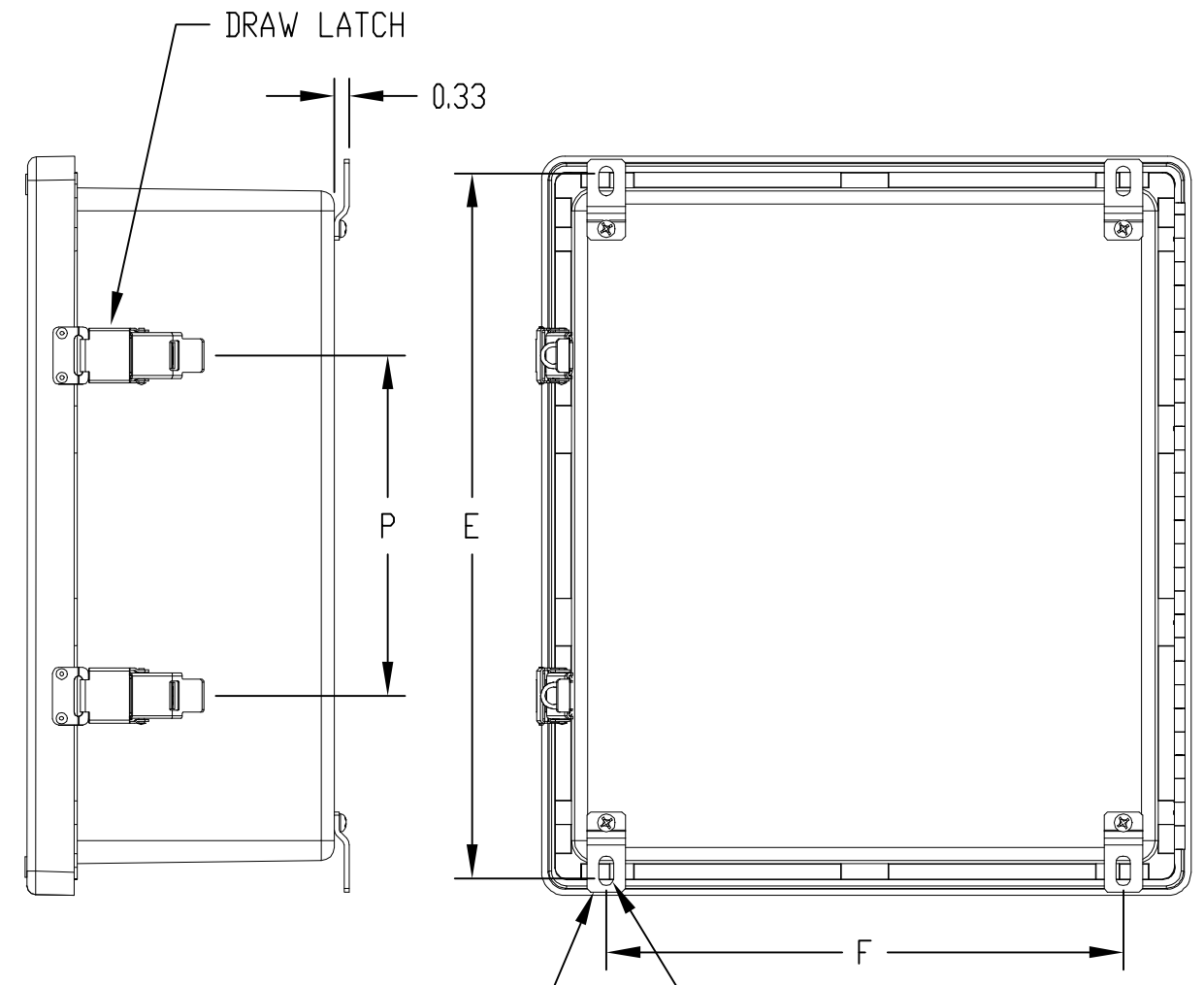
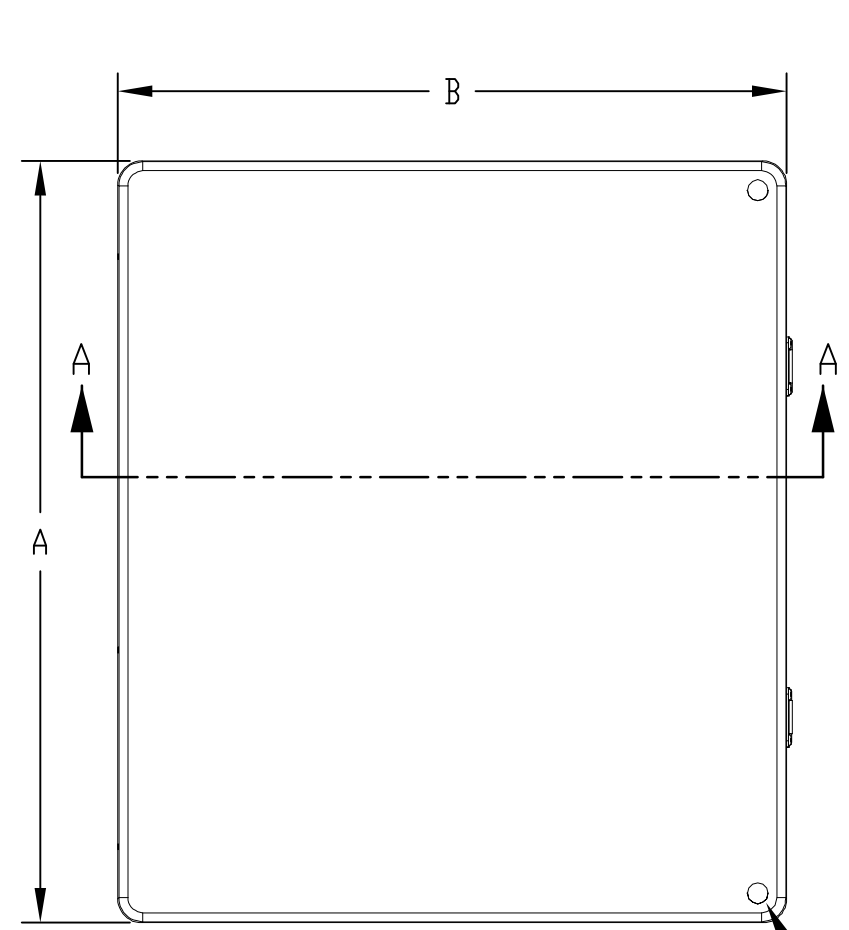


PART NAME	FIBERGLASS NEMA BOX w/LATCH	PART No.	NFL-6630, 6631, 6632, 6633, 6634	REV. DATE	
-----------	-----------------------------	----------	----------------------------------	-----------	--



SECTION A-A

MATERIAL:
 BODY & COVER - 30% FIBERGLASS REINFORCED POLYESTER
 INNER PANEL - 14 GA. [.08" (2mm) THK.] COLD ROLLED STEEL
 WALL MOUNTING BRKTS - 14 GA. [.08" (2mm) THK.] STAINLESS STEEL
 CONTINUOUS HINGE - 18 GA. [.05" (1.3mm) THK.] STAINLESS STEEL
 DRAW LATCH, SPACER & HARDWARE - STAINLESS STEEL
 GASKET - SILICON SPONGE
 O-RINGS - SILICON

FINISH:
 BODY & COVER - LIGHT GRAY
 INNER PANEL - LIGHT GRAY POLYESTER POWDER COAT
 WALL MOUNTING BRKTS, HINGE, LATCH & HARDWARE - NATURAL

TOLERANCE ALL DIMENSIONS: ±.02"

PART NO.	A	B	C	D	E	F	G	H	J	K	M	N	P	LATCH QTY.
NFL-6630	7.75	7.75	4.50	3.70	6.95	4.88	4.75	4.75	4.25	4.25	6.10	6.10	--	(1)
NFL-6631	9.64	7.75	4.50	3.70	8.86	4.88	6.75	4.75	6.25	4.25	8.10	6.10	--	(1)
NFL-6632	11.78	9.90	6.50	5.70	11.00	7.00	8.75	6.90	8.25	6.40	10.10	8.30	--	(1)
NFL-6633	13.78	11.90	6.50	5.70	13.00	9.00	10.75	8.90	10.25	8.40	12.10	10.30	6.75	(2)
NFL-6634	15.78	13.90	6.50	5.70	15.00	11.00	12.75	10.90	12.25	10.40	14.10	12.30	7.25	(2)