



PART NAME

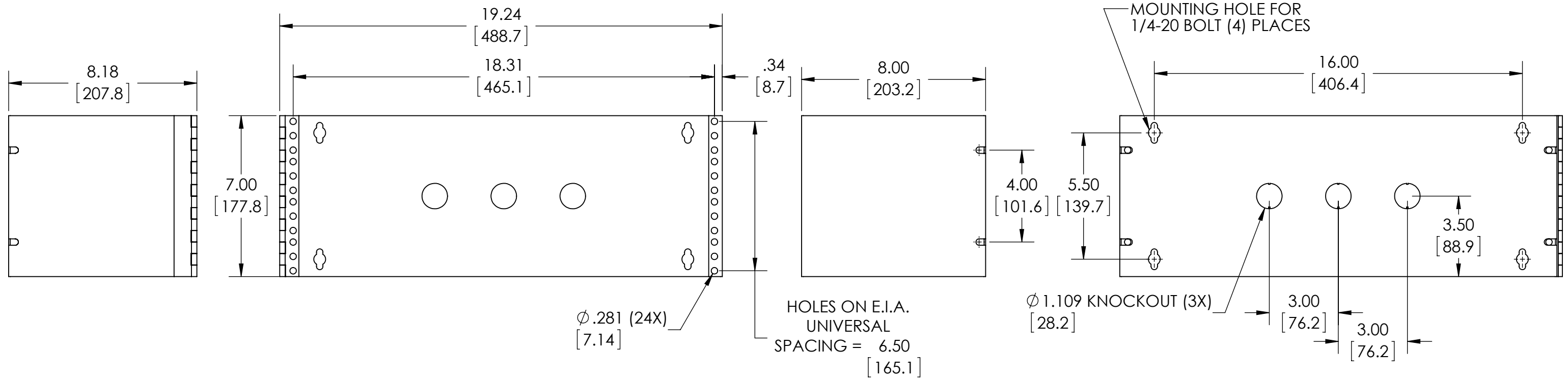
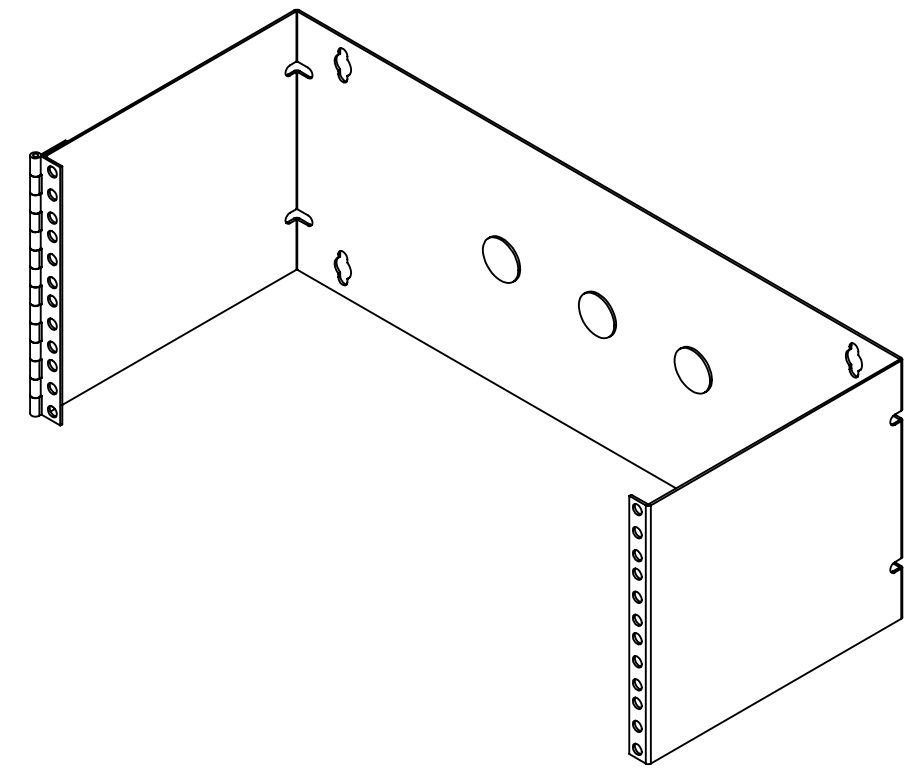
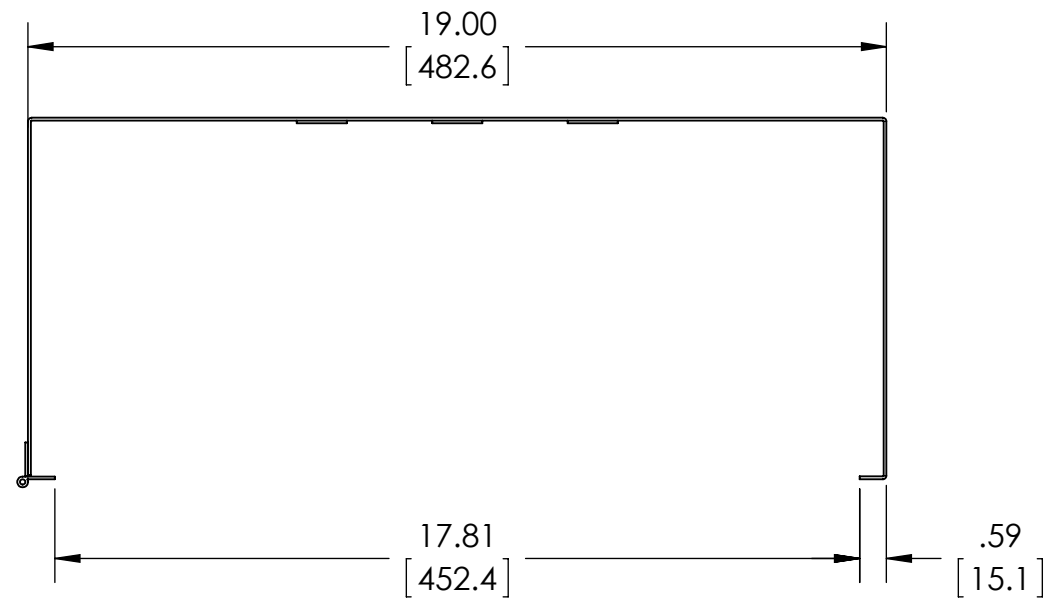
HINGED WALL MOUNT BRACKET

PART No.

HWB-2792

REVISION DATE

7-3-13



MATERIAL: 16 GA. [1.5mm] STEEL

FINISH: BLACK TEXTURE