



PART  
NAME

INTERNAL STEEL PANEL

PART  
No.

PTX-11068

REVISION  
DATE

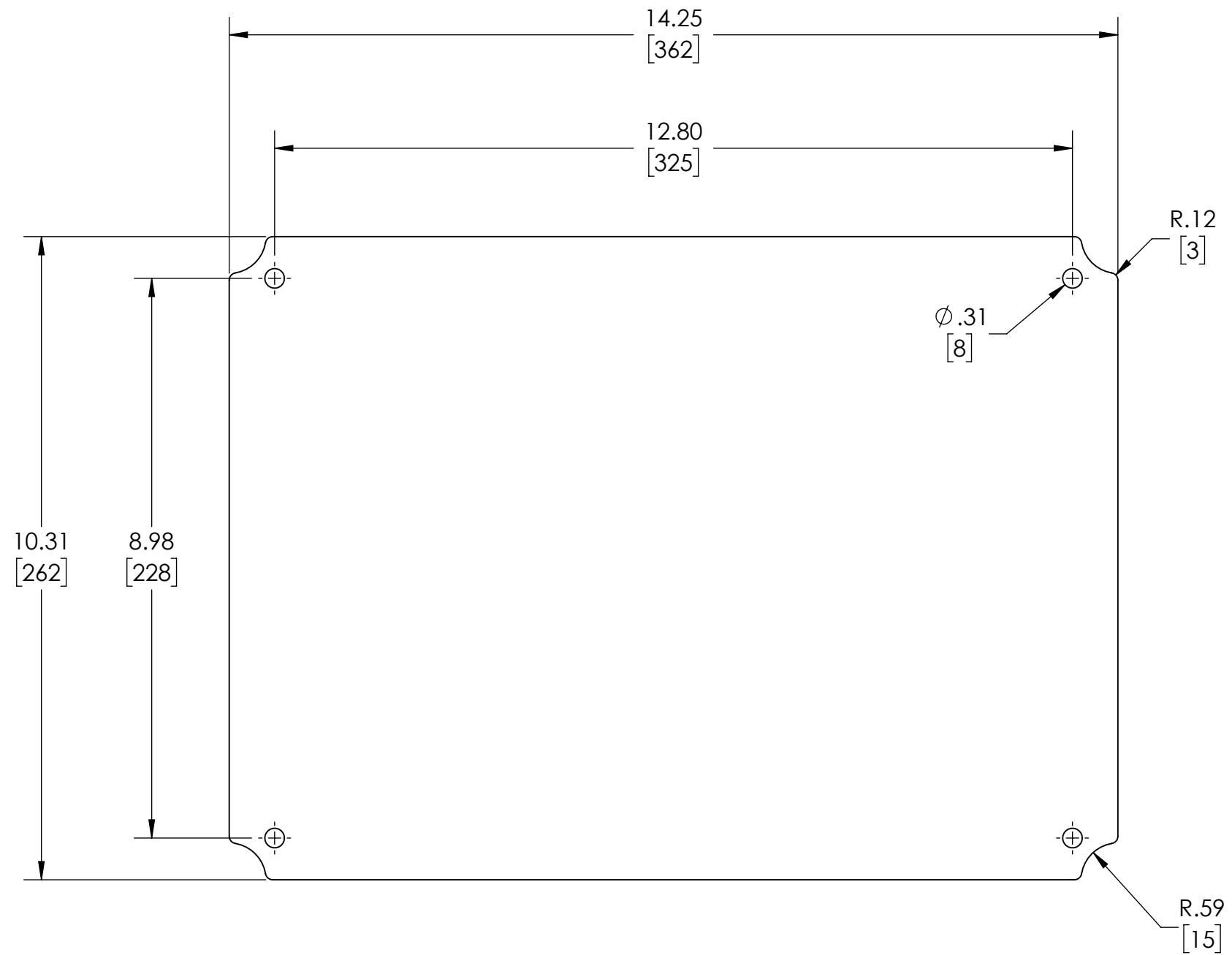
4/30/24

MATERIAL - .063 [1.6mm] THK. STEEL, ZINC PLATE

DIMENSIONS ARE INCH[MM]

PANEL FITS THE FOLLOWING ENCLOSURES:

PTH-22430, PTH-22430-C, PTH-22432, PTH-22432-C,  
PTH-22730-L, PTH-22730-LC, PTQ-11068, PTQ-11068-C  
PTR-28492, PTR-28492-C



**DRAWING FOR REFERENCE**

WE RESERVE THE RIGHT TO MAKE CHANGES TO OUR  
STANDARD PRODUCTS. PLEASE CONSULT WITH BUD INDUSTRIES  
PRIOR TO USING THIS DRAWING FOR DESIGN PURPOSE.