



PART  
NAME

# INTERNAL STEEL PANEL

PART  
No.

PTX-22428

REV.  
DATE

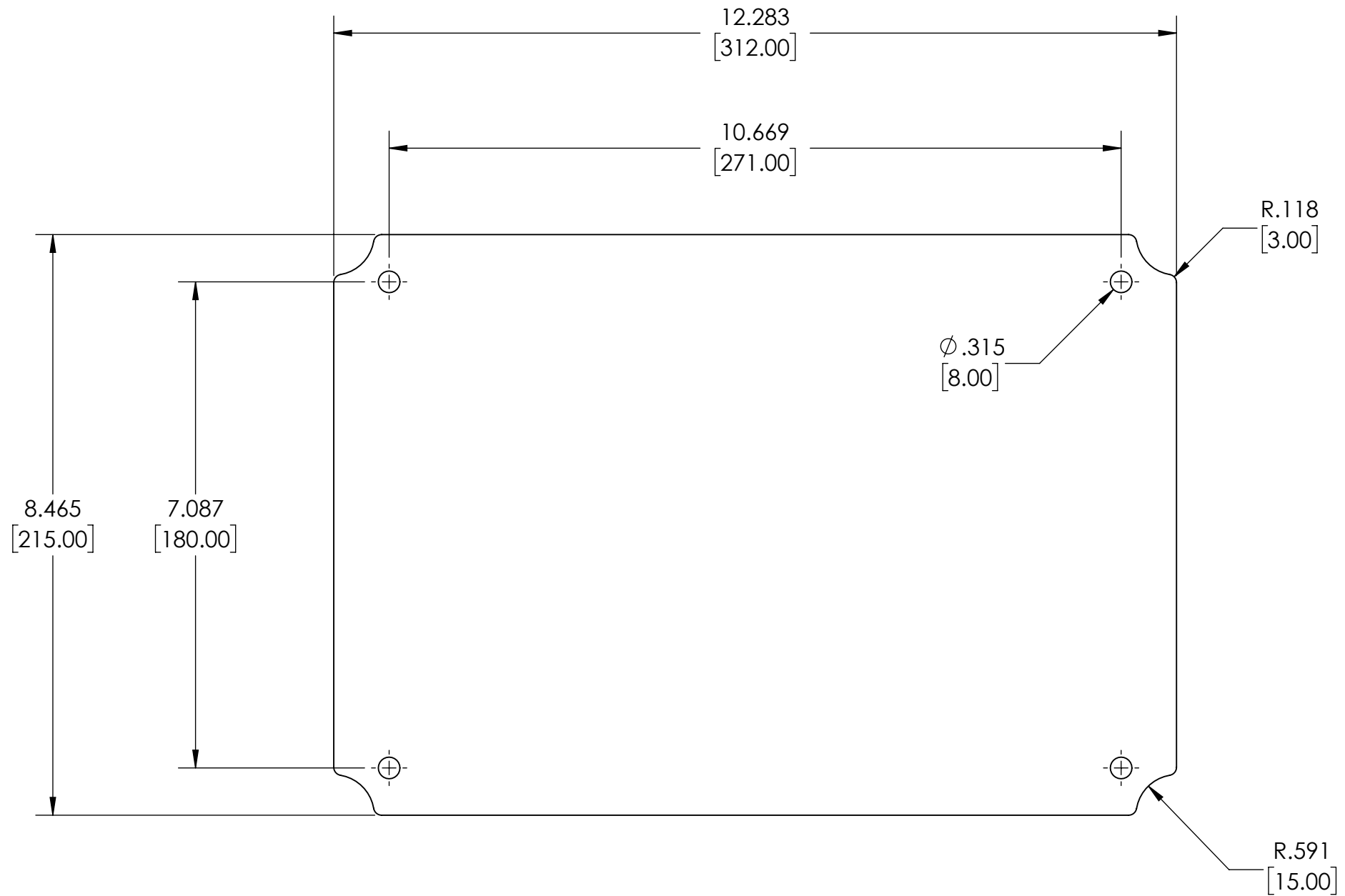
4/30/24

MATERIAL - .063 [1.6mm] THK. STEEL, ZINC PLATE

DIMENSIONS ARE INCH[MM]

PANEL FITS THE FOLLOWING ENCLOSURES:

PTH-22428 & PTH-22428-C  
PTQ-11062 & PTQ-11062-C  
PTR-28489 & PTR-28489-C



## DRAWING FOR REFERENCE

WE RESERVE THE RIGHT TO MAKE CHANGES TO OUR  
STANDARD PRODUCTS. PLEASE CONSULT WITH BUD INDUSTRIES  
PRIOR TO USING THIS DRAWING FOR DESIGN PURPOSE.