



PART  
NAME

INTERNAL STEEL PANEL

PART  
No.

PTX-22490

REVISION  
DATE

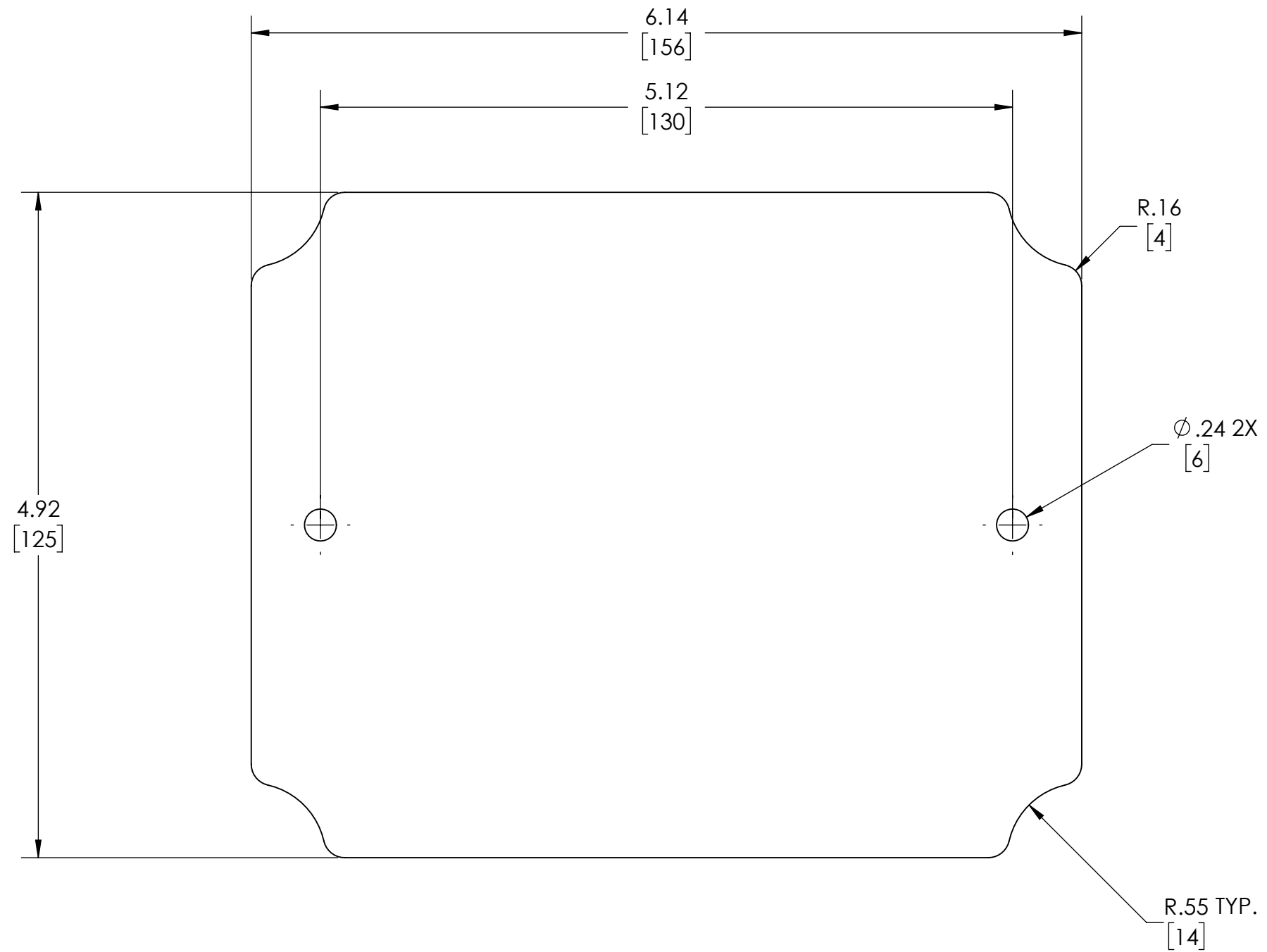
4/30/24

MATERIAL - .063 [1.6mm] THK. STEEL, ZINC PLATE

DIMENSIONS ARE INCH[MM]

PANEL FITS THE FOLLOWING ENCLOSURES:

PTH-22490 & PTH-22490-C,  
PTS-25319 & PTS-25319-C



**DRAWING FOR REFERENCE**

WE RESERVE THE RIGHT TO MAKE CHANGES TO OUR  
STANDARD PRODUCTS. PLEASE CONSULT WITH BUD INDUSTRIES  
PRIOR TO USING THIS DRAWING FOR DESIGN PURPOSE.