

PART NAME

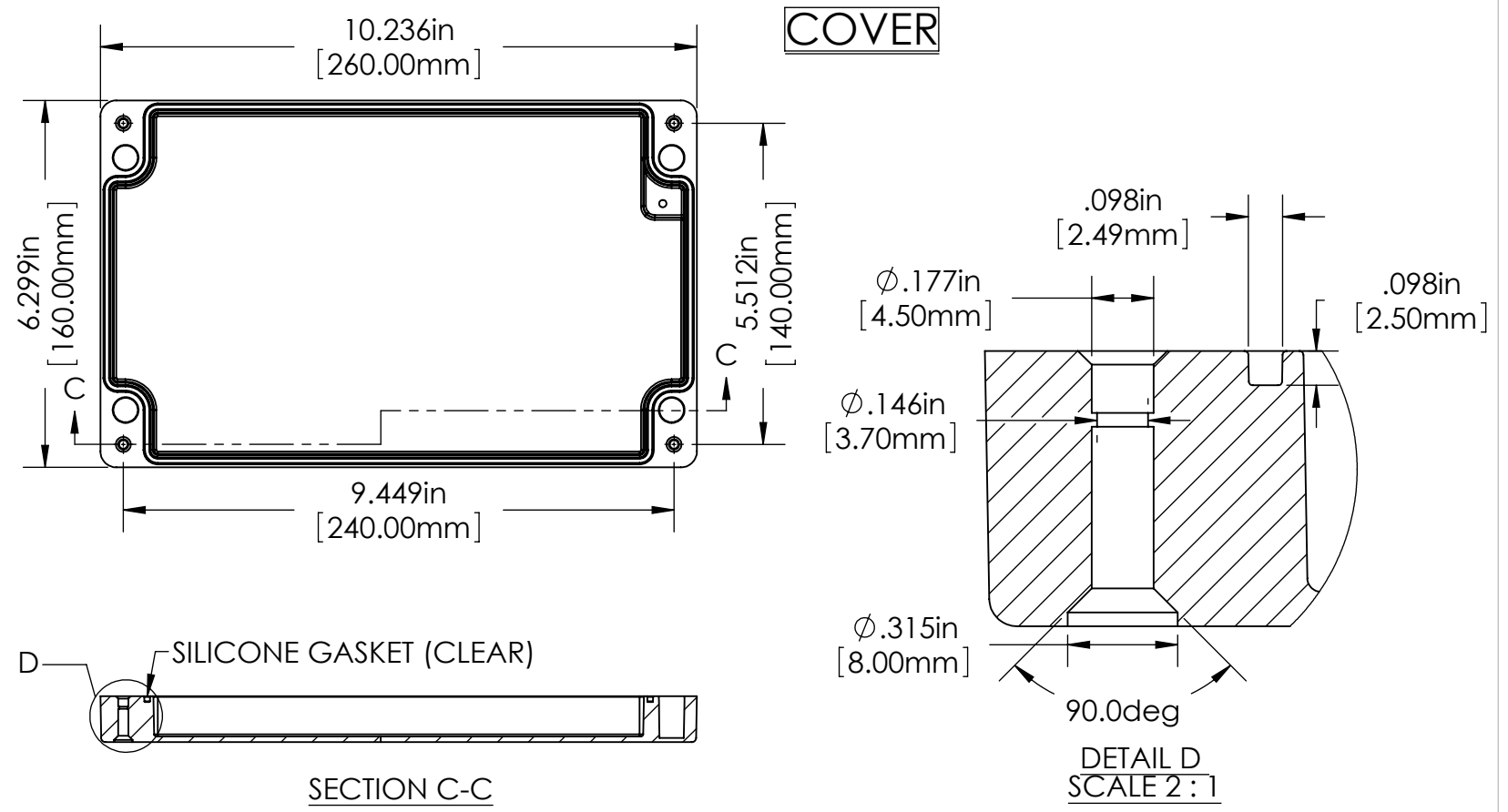
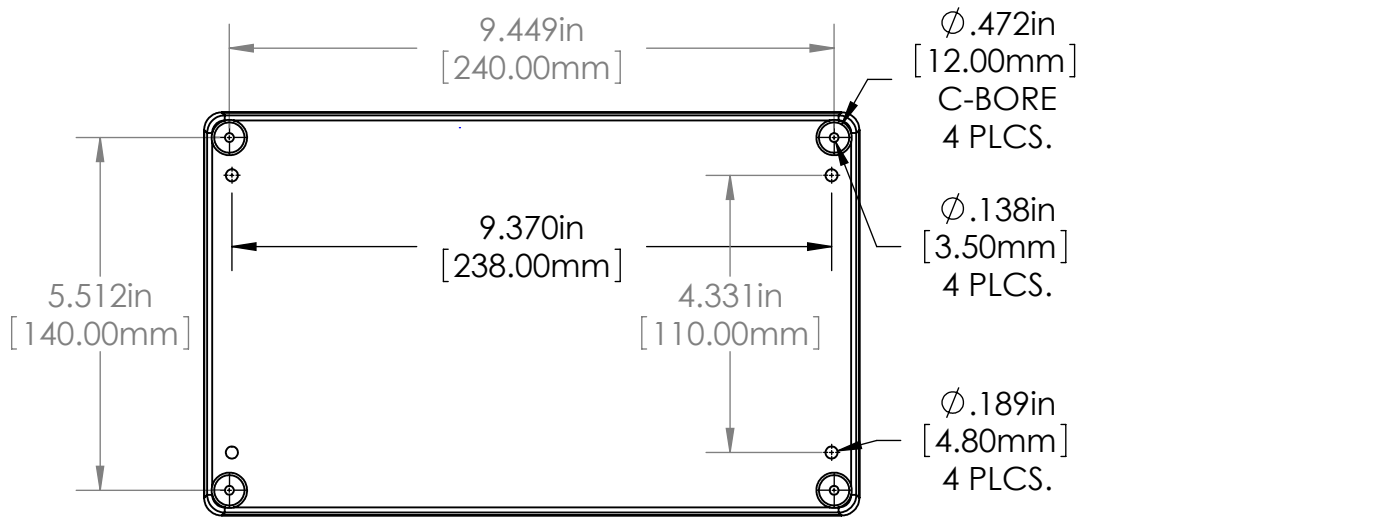
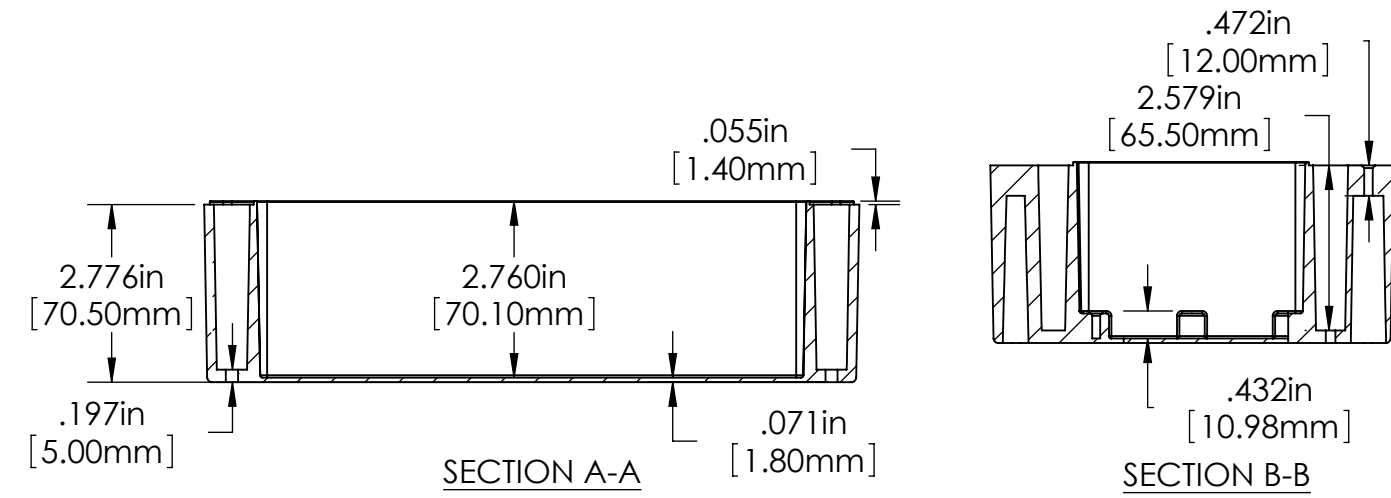
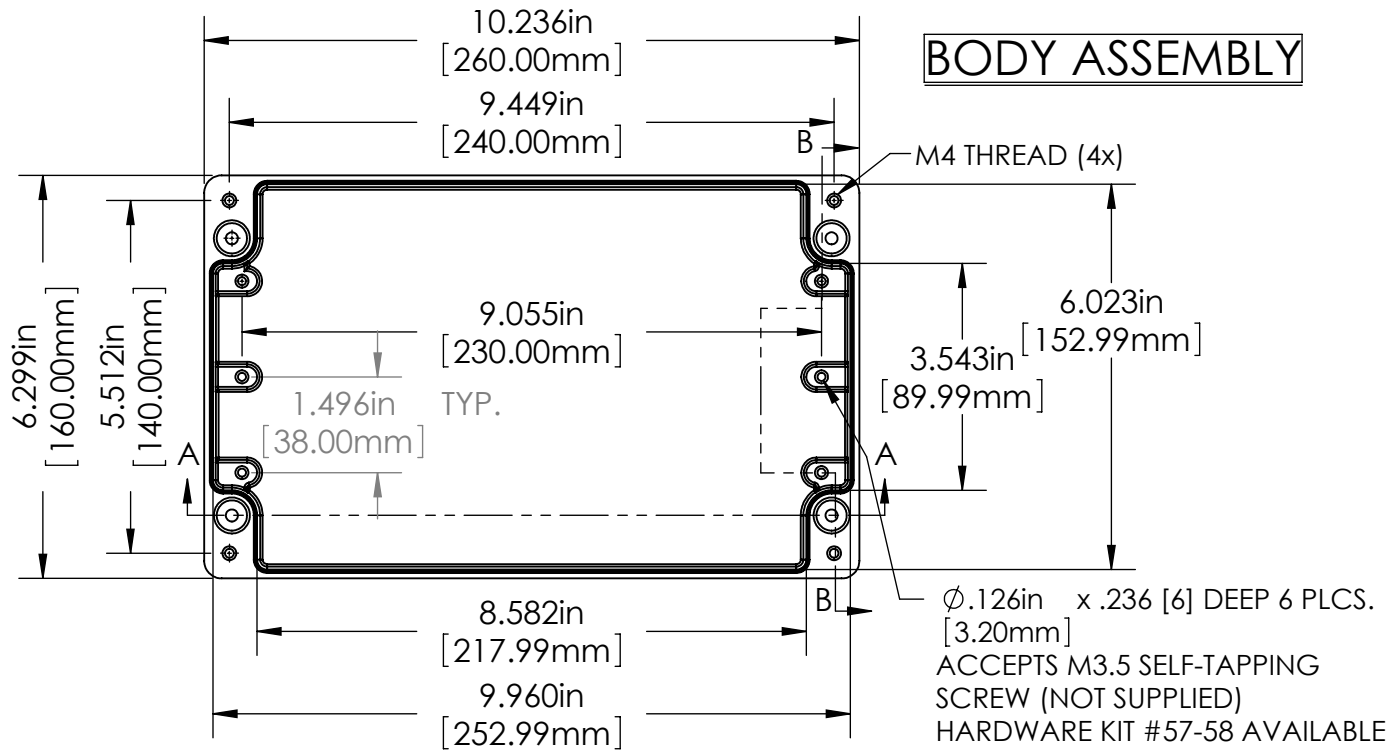
NEMA 4X DIE CAST ALUMINUM ENCLOSURE

PART No.

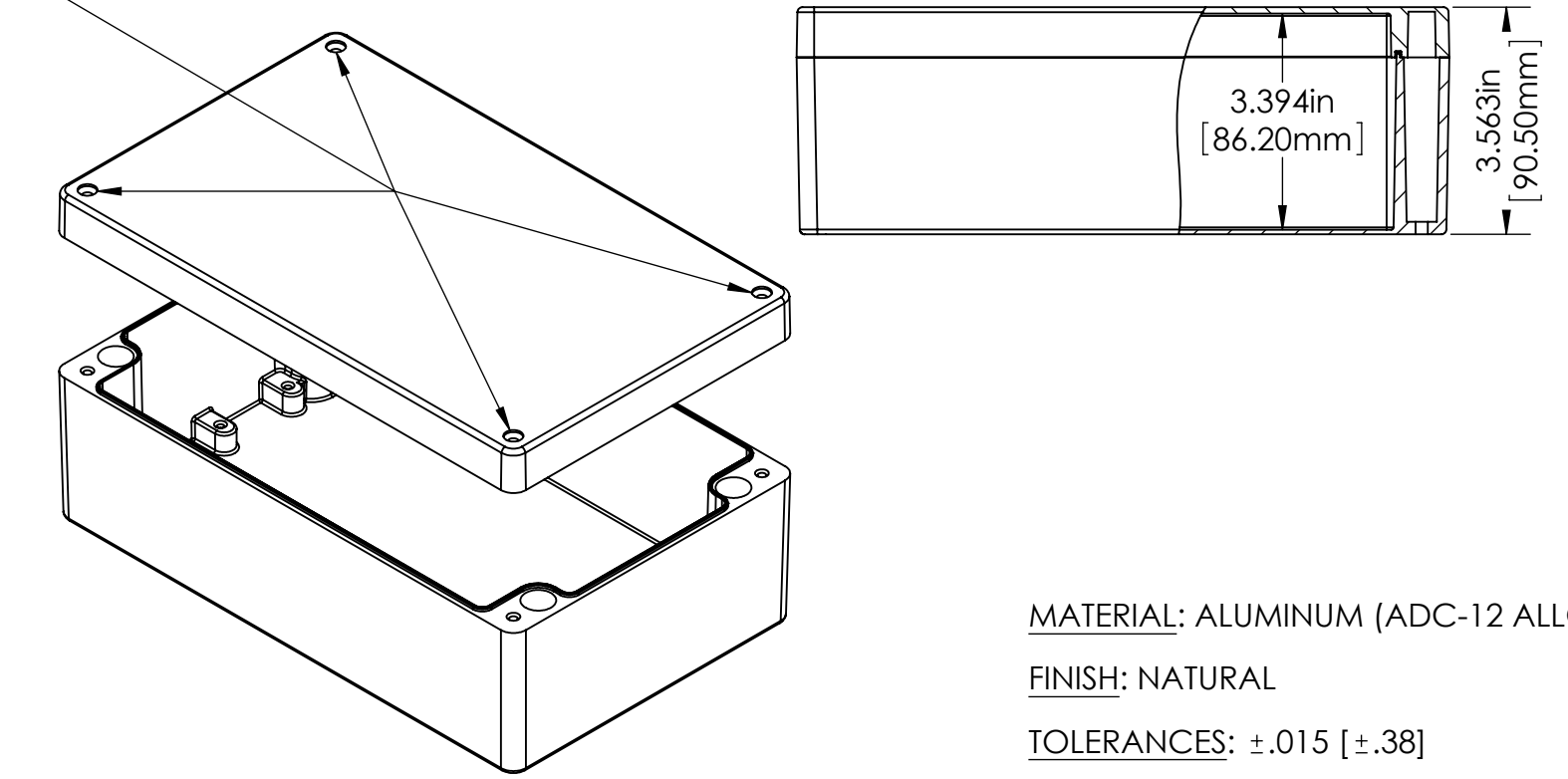
AN-1323

REVISION DATE

10-25-11



FOUR (4) M4 x 32mm (1.26") LG. FLAT HD. STAINLESS STEEL SCREWS SUPPLIED FOR ASSEMBLY OF COVER



MATERIAL: ALUMINUM (ADC-12 ALLOY)
FINISH: NATURAL
TOLERANCES: ±.015 [±.38]