

PART NAME

NEMA PLASTIC BOX

PART No.

PN-1342 PN-1342-C AND PN-1342-DG

REVISION DATE

8-12-14

POLYCARBONATE:

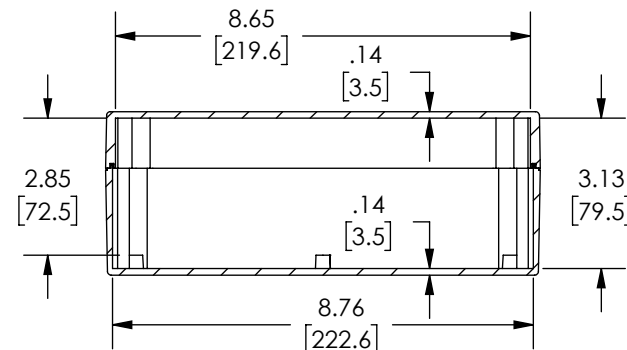
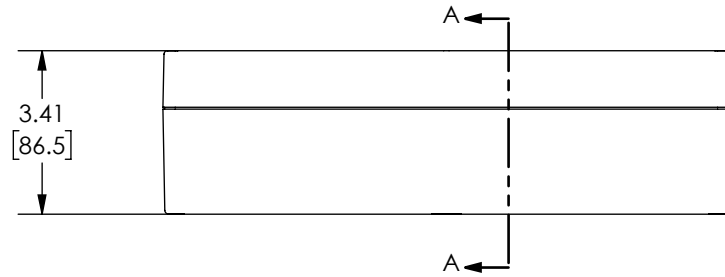
LIGHT GRAY AND CLEAR
 UL94-HB FLAMMABILITY RATING (UL FILE #E41613)
 UV STABILIZED
 SERVICE TEMPERATURE RANGE: -40°C TO +120°C

ABS: (FOR INDOOR USE ONLY)

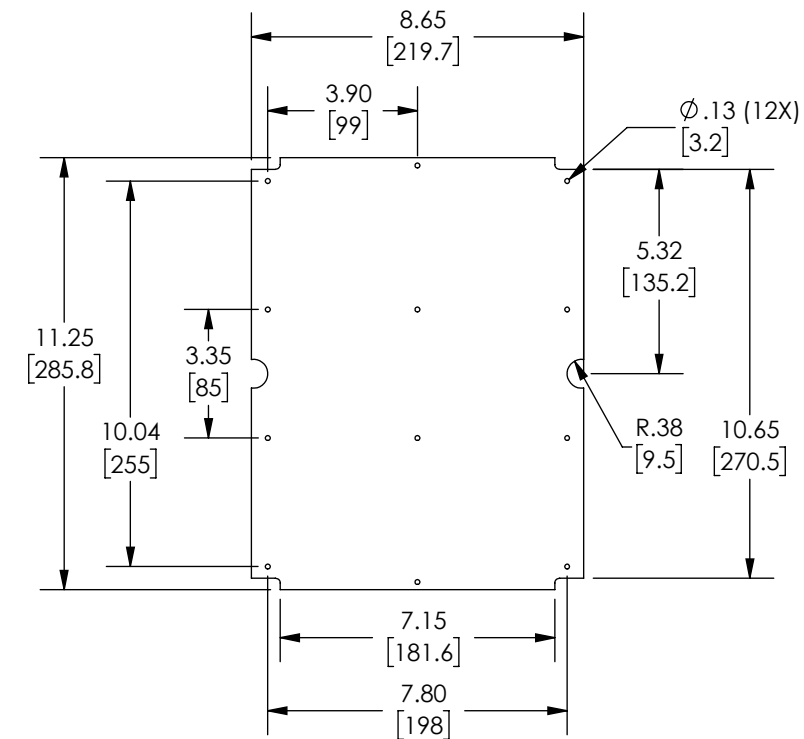
DARK GRAY
 UL94-HB FLAMMABILITY RATING (UL FILE #E56070)
 SERVICE TEMPERATURE RANGE: -40°C TO +80°C

DRAWING FOR REFERENCE

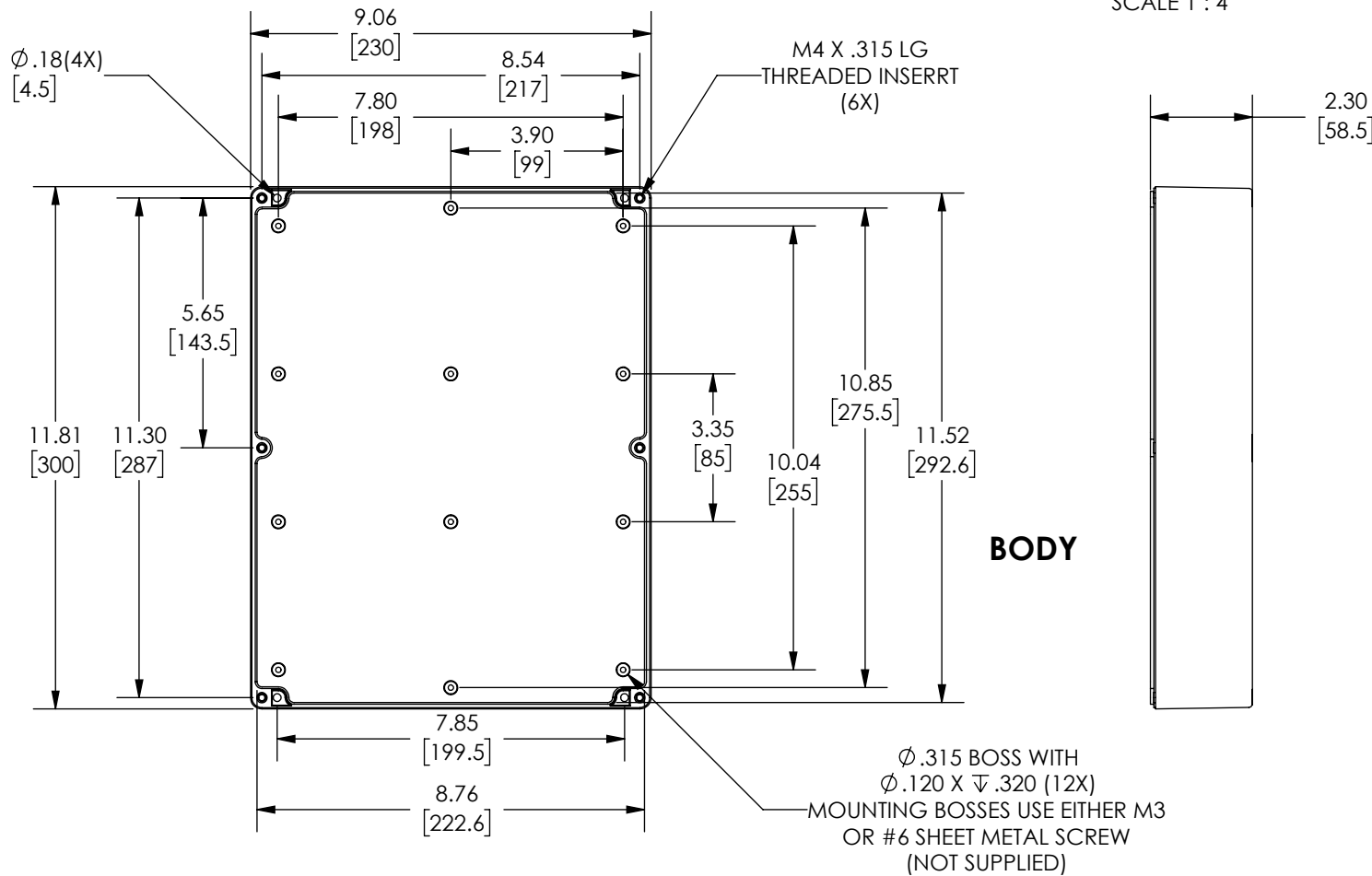
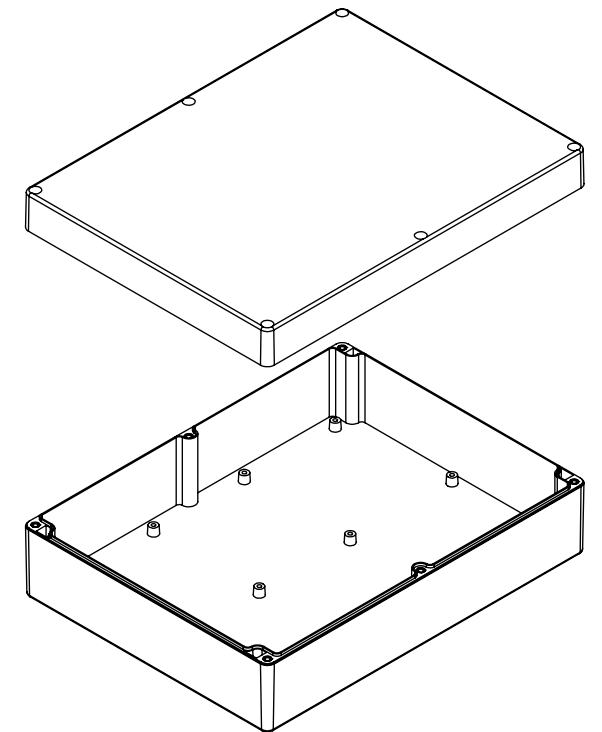
WE RESERVE THE RIGHT TO MAKE CHANGES TO OUR STANDARD PRODUCTS. PLEASE CONSULT WITH BUD INDUSTRIES PRIOR TO USING THIS DRAWING FOR DESIGN PURPOSE.



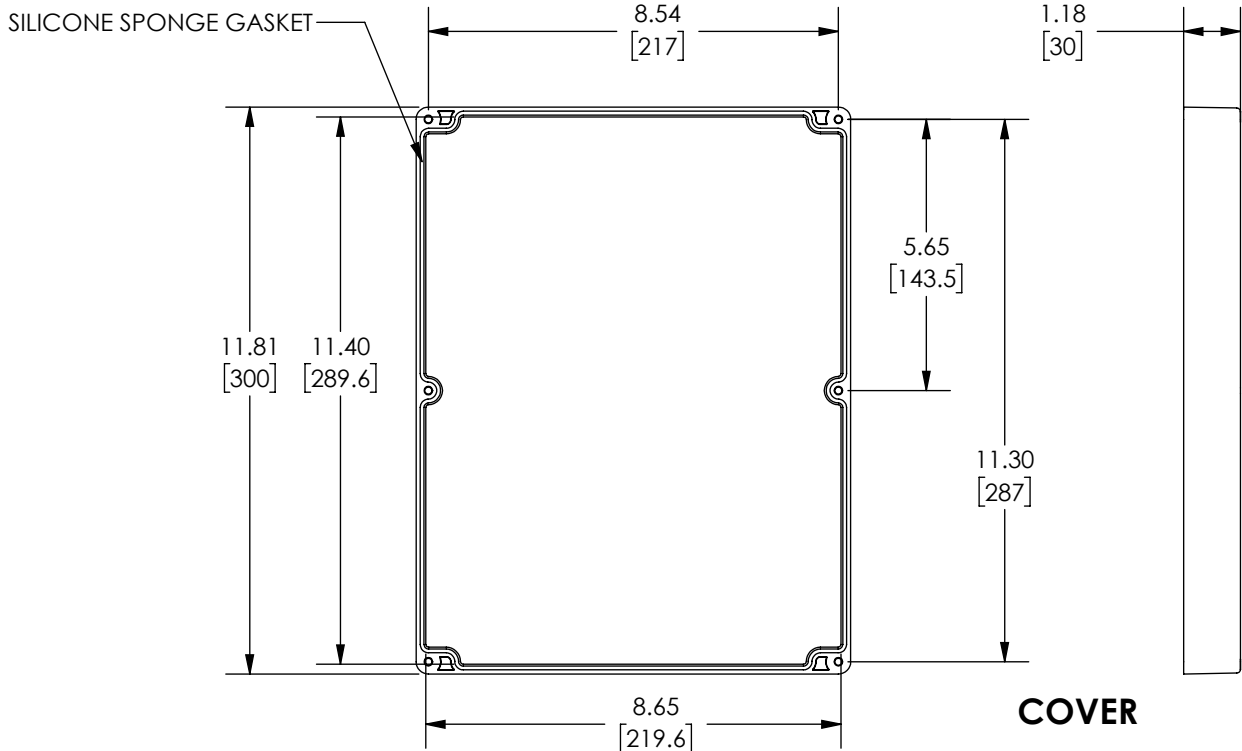
SECTION A-A
SCALE 1 : 4



SUGGESTED PC BOARD LAYOUT



BODY



COVER

- NOTE:**
1. FOUR (4X) M4x0.7 x 25mm LG. STAINLESS STEEL MACHINE SCREWS SUPPLIED FOR ASSEMBLY
 2. COVER MOUNTING SCREWS RECOMMENDED TORQUE: 8 IN./LB.
 3. ALL OUTSIDE AND INSIDE DRAFT ANGLE: 1°

OPTIONAL ACCESSORIES:
 PNX-91442 - INTERNAL PANEL

NEMA 1,2,3,4,4X,12, AND 13 ENCLOSURE SPECIFICATIONS
 DESIGNED TO IP65 OF IEC 529
 UL LISTED

PART NUMBER	MATERIAL	BODY / COVER
PN-1342	LIGHT GRAY POLYCARBONATE	BODY & COVER
PN-1342-C	LIGHT GRAY PC	BODY / CLEAR PC COVER
PN-1342-DG	DARK GRAY HIGH-IMPACT ABS	BODY & COVER