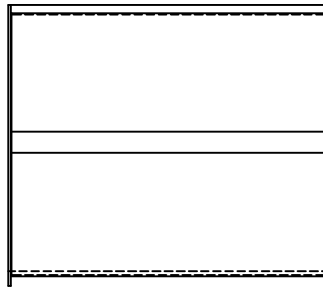


PART
NAME

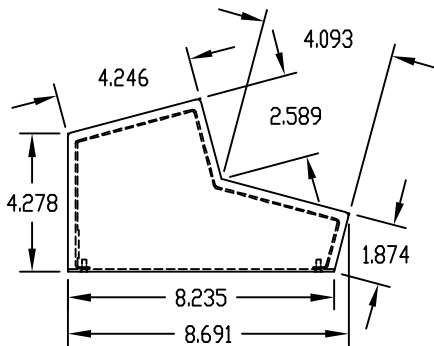
COMPUCAB

PART
No.

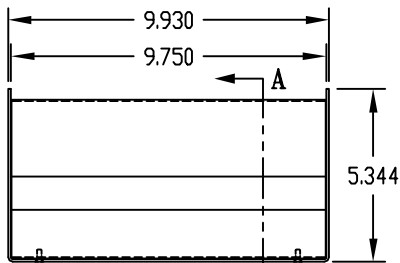
SC-13100



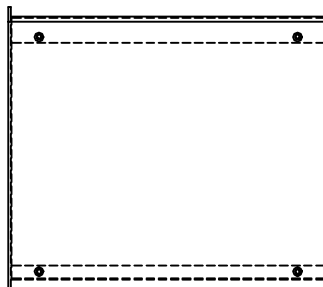
TOP VIEW



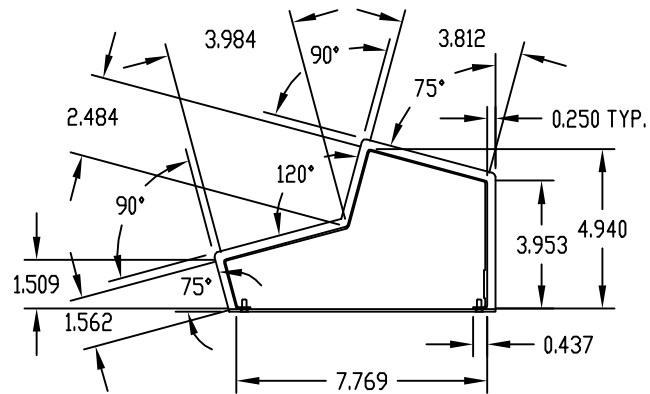
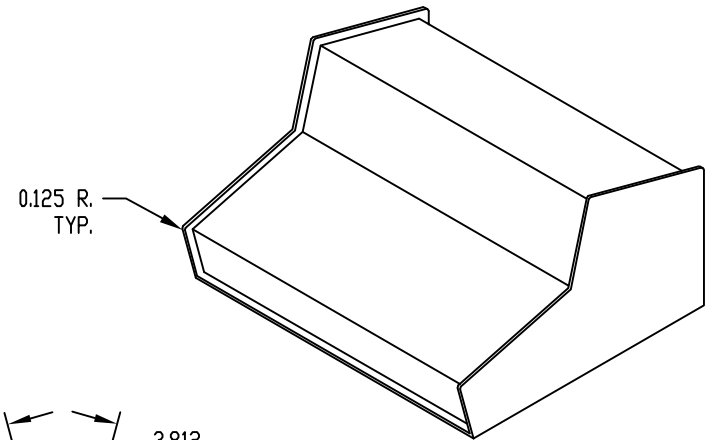
SIDE VIEW



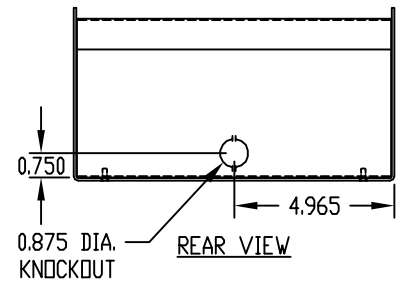
FRONT VIEW



BOTTOM VIEW



SECTION "A-A"



REAR VIEW

MATERIAL:

BASE ____ 0.090 THK. ALUMINUM
COVER ____ 0.050 THK. ALUMINUM

FINISH:

BASE ____ BLACK TEXTURED
COVER ____ WHITE (PREPAINTED)
FEET ____ BLACK

SHIPPED UNASSEMBLED

SUPPLIED WITH FOUR (4) #6-32 x 3/8 LG. SCREWS
AND FOUR (4) SELF-ADHESIVE FEET.