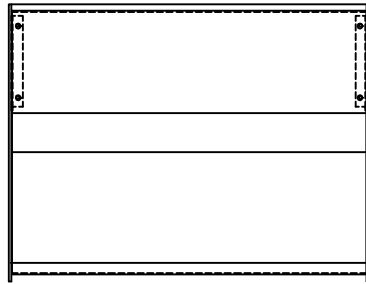


PART
NAME

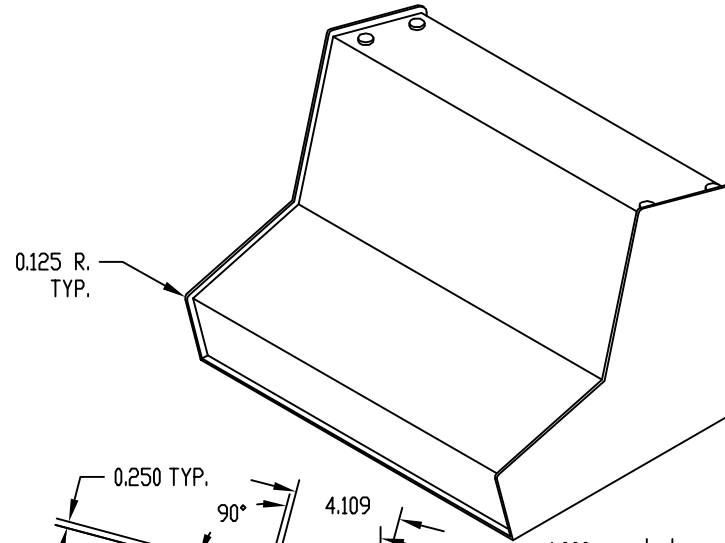
COMPUCAB

PART
No.

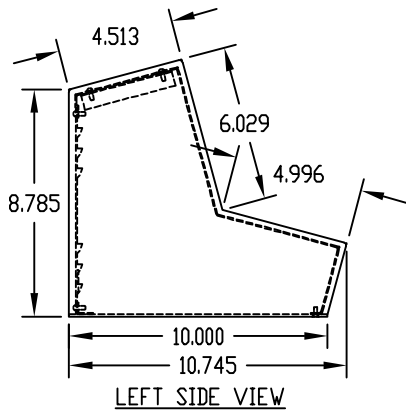
SC-13101



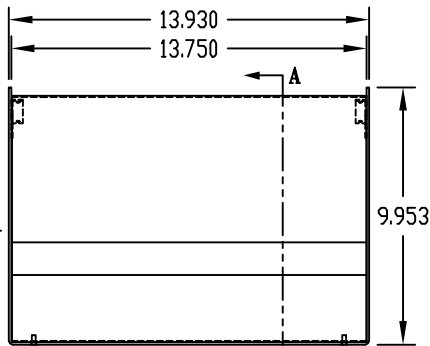
TOP VIEW



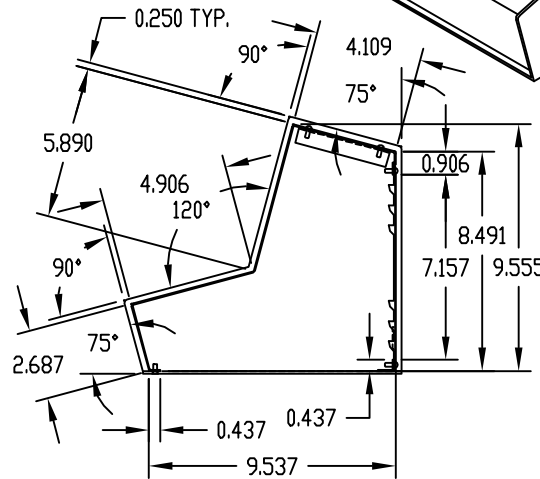
0.125 R.
TYP.



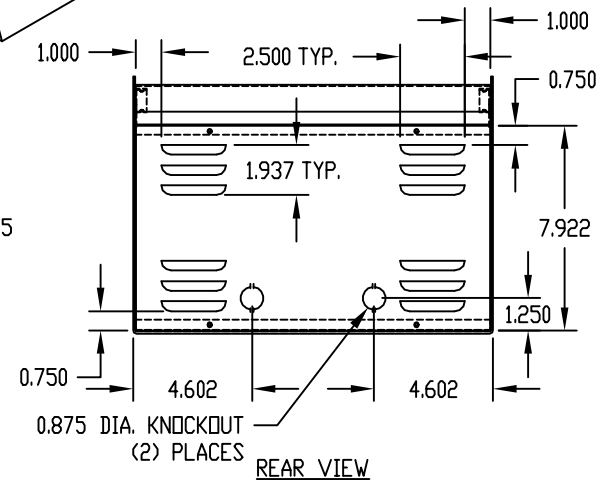
LEFT SIDE VIEW



FRONT VIEW



SECTION "A-A"



BOTTOM VIEW

MATERIAL:

BASE _____ 0.090 THK. ALUMINUM
COVER & BACK PANEL _____ 0.050 THK. ALUMINUM

FINISH:

BASE _____ BLACK TEXTURED
COVER & BACK PANEL _____ WHITE (PREPAINTED)
FEET _____ BLACK

ASSEMBLED WITH TEN (10) #6-32 x 3/8 LG. SCREWS.

SUPPLIED WITH FOUR (4) SELF-ADHESIVE FEET.