

PART NAME

SLOPING PANEL PRESTIGE CABINET

PART No.

C-1555 & C-1557

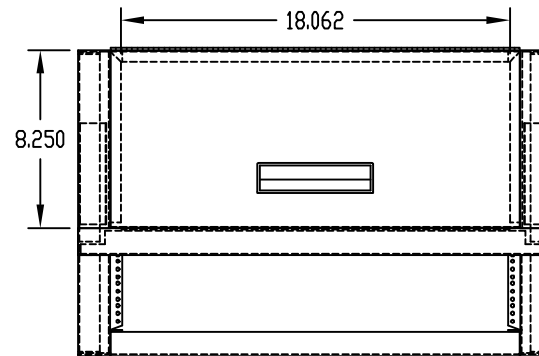
MATERIAL:

BOTTOM, SIDES, BACK, MOUNTING
 RAILS & CROSS BARS _____ 16 GA. STEEL
 TOP _____ 18 GA. STEEL
 HANDLES _____ PLASTIC
 FEET _____ PLASTIC

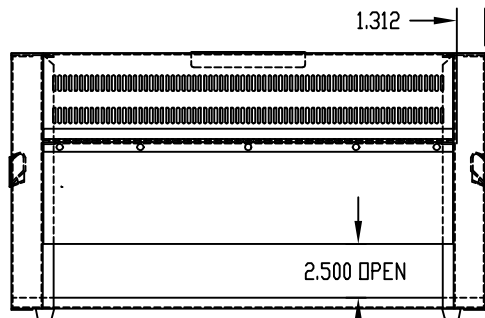
FINISH:

BODY ASSEMBLY, TOP & CROSS BAR _____ METALLIC GRAY
 FEET & HANDLES _____ BLACK

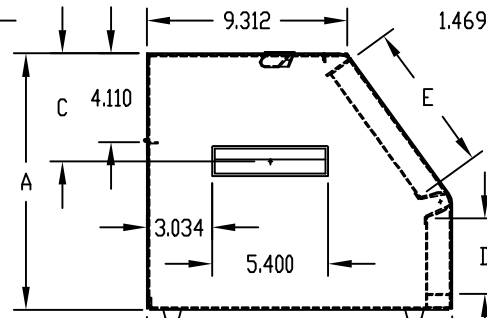
MOUNTING RAILS ARE RECESSED 1.156 & TAPPED
 #10-32 ON E.I.A. UNIVERSAL SPACING.



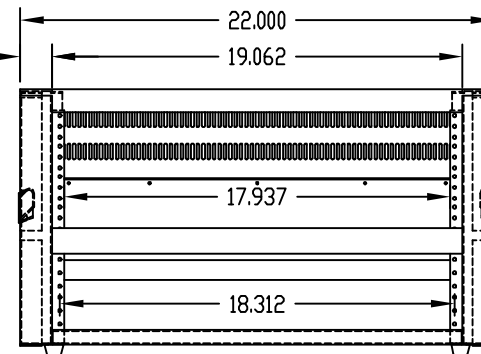
TOP VIEW



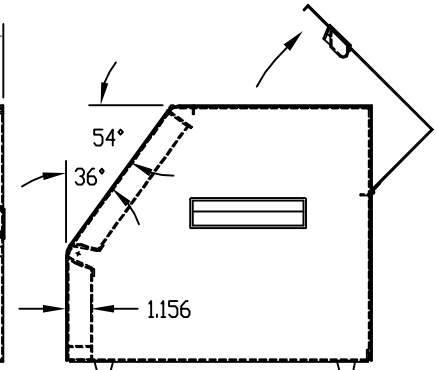
REAR VIEW



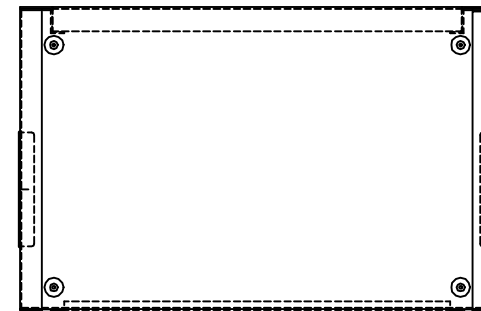
SIDE VIEW



FRONT VIEW



SIDE VIEW



BOTTOM VIEW

PART No.	A	B	C	PANEL SPACE	
				D	E
C-1555	11.906	14.187	5.000	3.500	7.000
C-1557	14.781	16.250	5.000	3.500	10.500