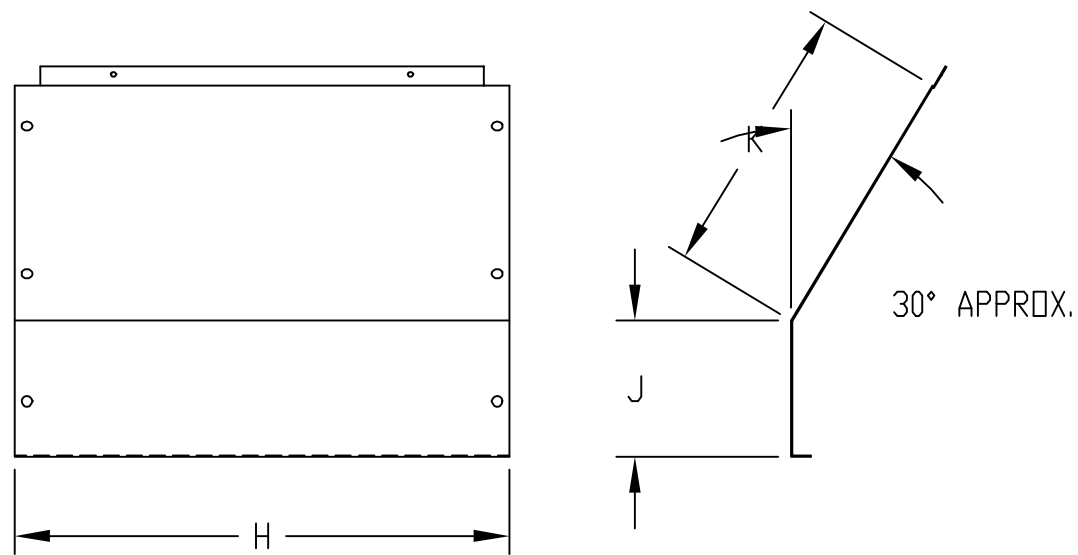
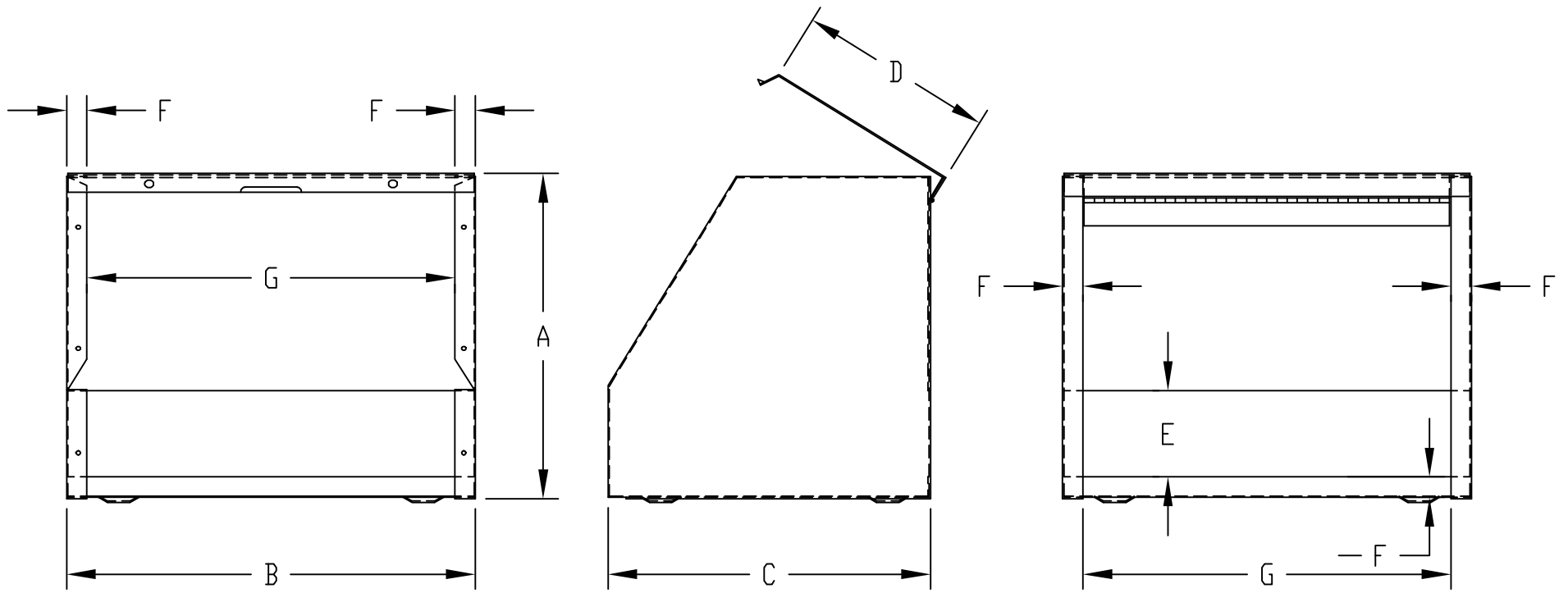


PART NAME	SLOPING PANEL CABINET	PART No.	C-1584 TO C-1896	REV. DATE	8-31-10
-----------	-----------------------	----------	------------------	-----------	---------



UNIT ASSEMBLED WITH #6 SHEET METAL SCREWS (PROVIDED)
 UNIT BOTTOM INCLUDES (4) EMBOSSED FEET

MATERIAL:
 18 OR 20 GA. STEEL
 FINISH:
 METALLIC GRAY

PART NO.	OVERALL						E	F	G	PANEL				CHASSIS PART NO.
	MAT'L GA.	A	B	C	D	MAT'L GA.				H	J	K		
C-1584	20	6.500	7.062	7.312	4.281	1.578	0.375	6.312	20	7.000	2.531	4.734	AC-402	
C-1585	20	6.500	9.062	7.312	4.281	1.578	0.375	8.312	20	9.000	2.531	4.734	AC-405	
C-1586	20	6.500	11.062	7.312	4.281	1.578	0.375	10.312	20	11.000	2.531	4.734	AC-1413	
C-1587	20	8.000	8.062	8.000	4.844	2.125	0.500	7.062	20	8.000	2.750	5.531	AC-405	
C-1588	20	8.000	10.062	8.000	4.844	2.125	0.500	9.062	20	10.000	2.750	5.531	AC-406	
C-1892	20	8.000	13.062	8.500	5.344	2.125	0.500	12.062	20	13.000	2.750	5.531	AC-407	
C-1893	18	10.000	18.094	10.500	6.750	2.594	0.500	17.094	18	18.000	3.406	7.000	AC-415	
C-1894	20	8.000	14.062	8.000	4.844	2.125	0.500	13.062	20	14.000	2.750	5.531	AC-409	
C-1896	18	9.000	18.094	8.188	4.375	2.594	0.500	17.094	18	18.000	3.406	6.109	AC-425	