



PART
NAME

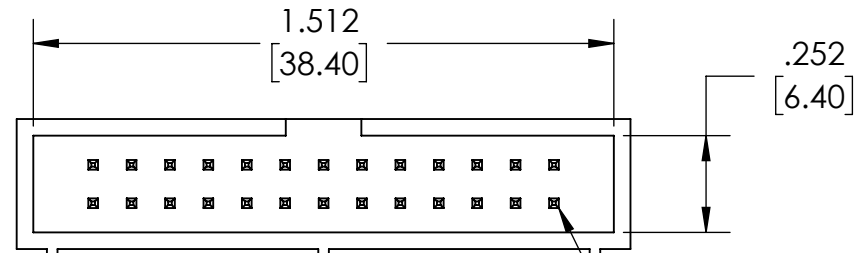
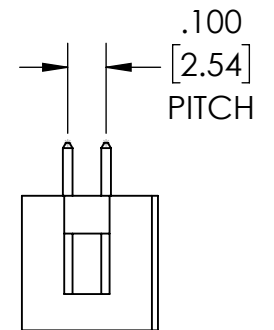
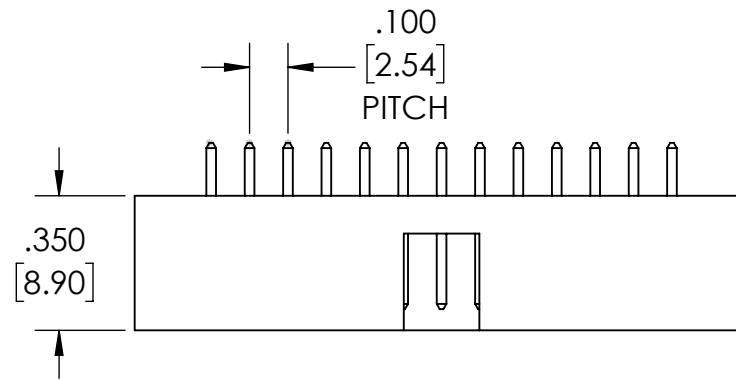
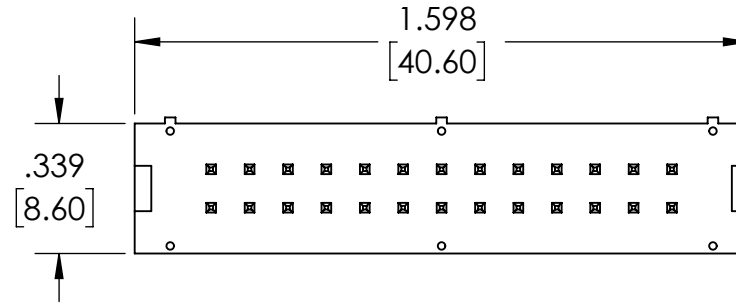
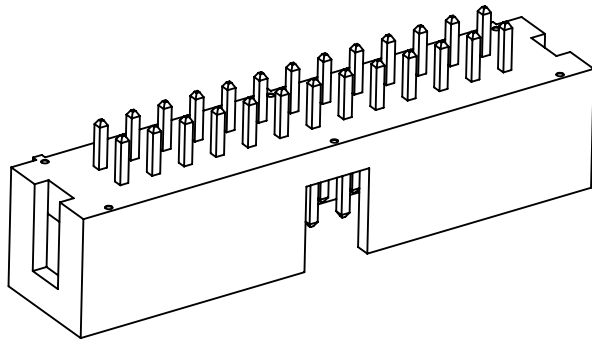
MALE PCB HEADER

PART
No.

BC-32677

REV.
DATE

1/6/21



2 X 13 PINS

DRAWING FOR REFERENCE

WE RESERVE THE RIGHT TO MAKE CHANGES TO OUR
STANDARD PRODUCTS. PLEASE CONSULT WITH BUD INDUSTRIES
PRIOR TO USING THIS DRAWING FOR DESIGN PURPOSE.