



PART NAME

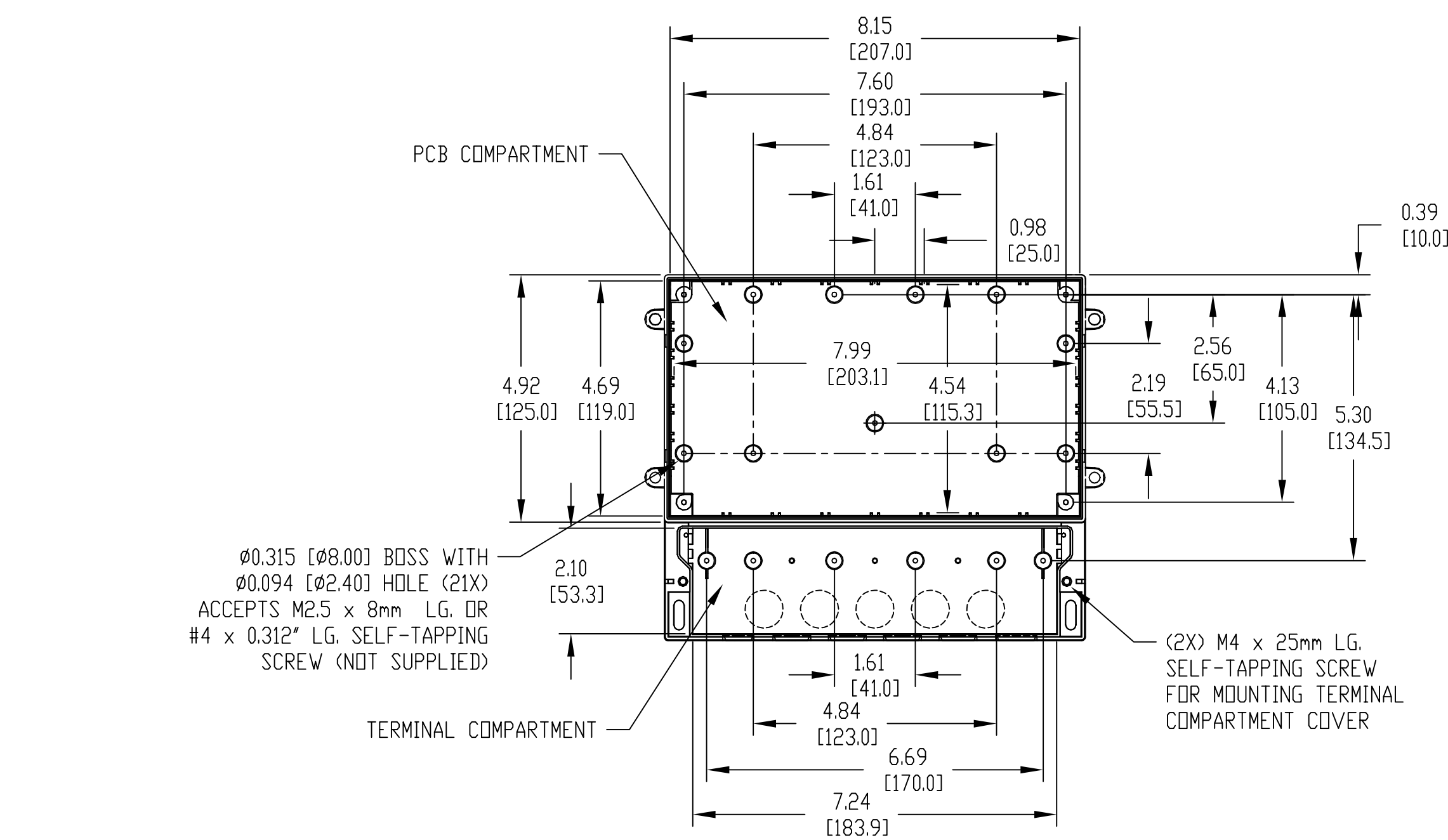
DUAL-COMPARTMENT ENCLOSURE w/HINGED COVER

PART No.

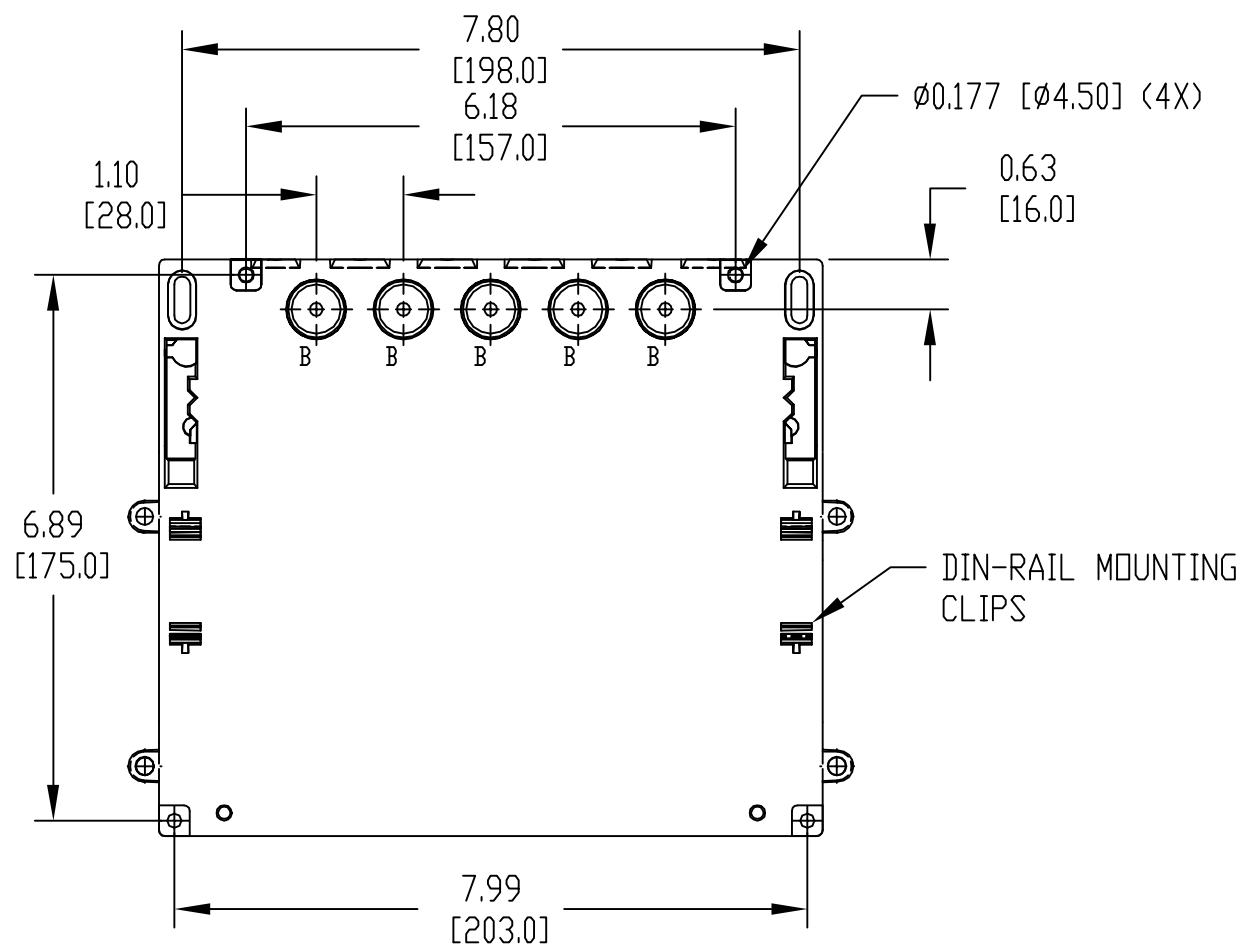
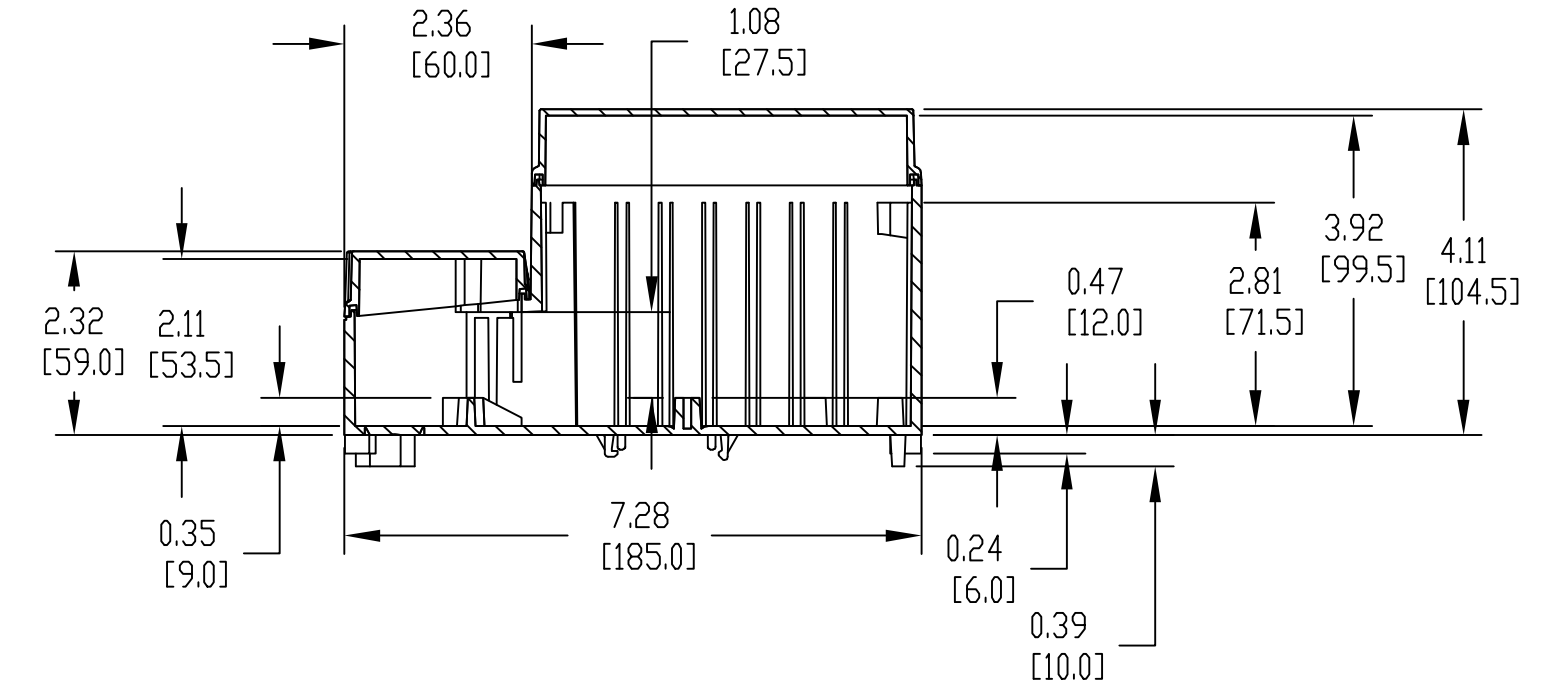
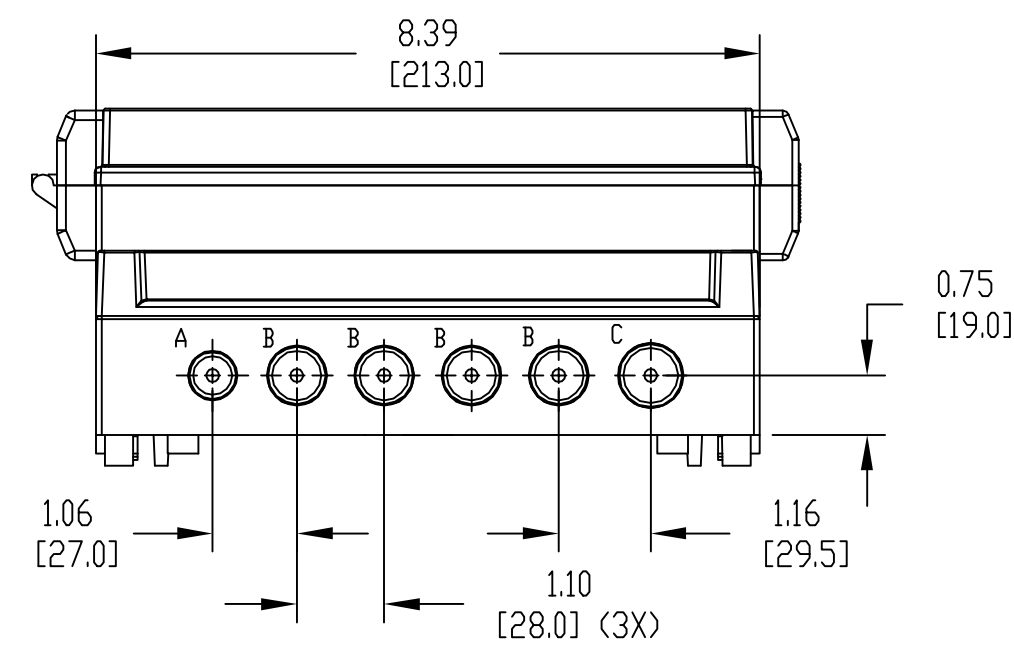
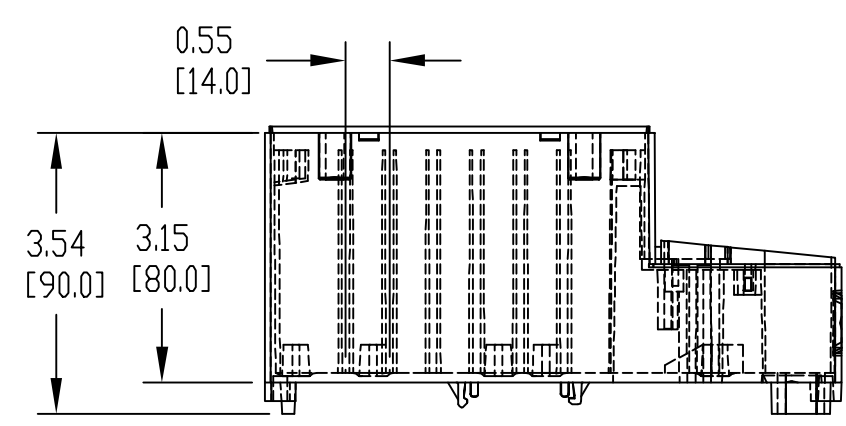
DCH-11922

REV. DATE

6-28-13



MATERIAL:
 BODY & TERMINAL COMPARTMENT COVER - LIGHT GRAY HIGH IMPACT ABS
 PCB COMPARTMENT COVER - BLUE TINTED POLYCARBONATE (UL 94-HB)
 SILICONE SPONGE GASKET IN BOTH COVERS



	KNOCKOUT DIMENSION	CABLE GLAND
A	Ø0.614 [15.6mm]	PG 9(ØR M12)
B	Ø0.748 [19.0mm]	PG 11(ØR M16)
C	Ø0.819 [20.8mm]	PG 13.5(ØR M20)

ALL DIMENSIONS HAVE ±0.02 [0.4] TOLERANCE UNLESS OTHERWISE SPECIFIED