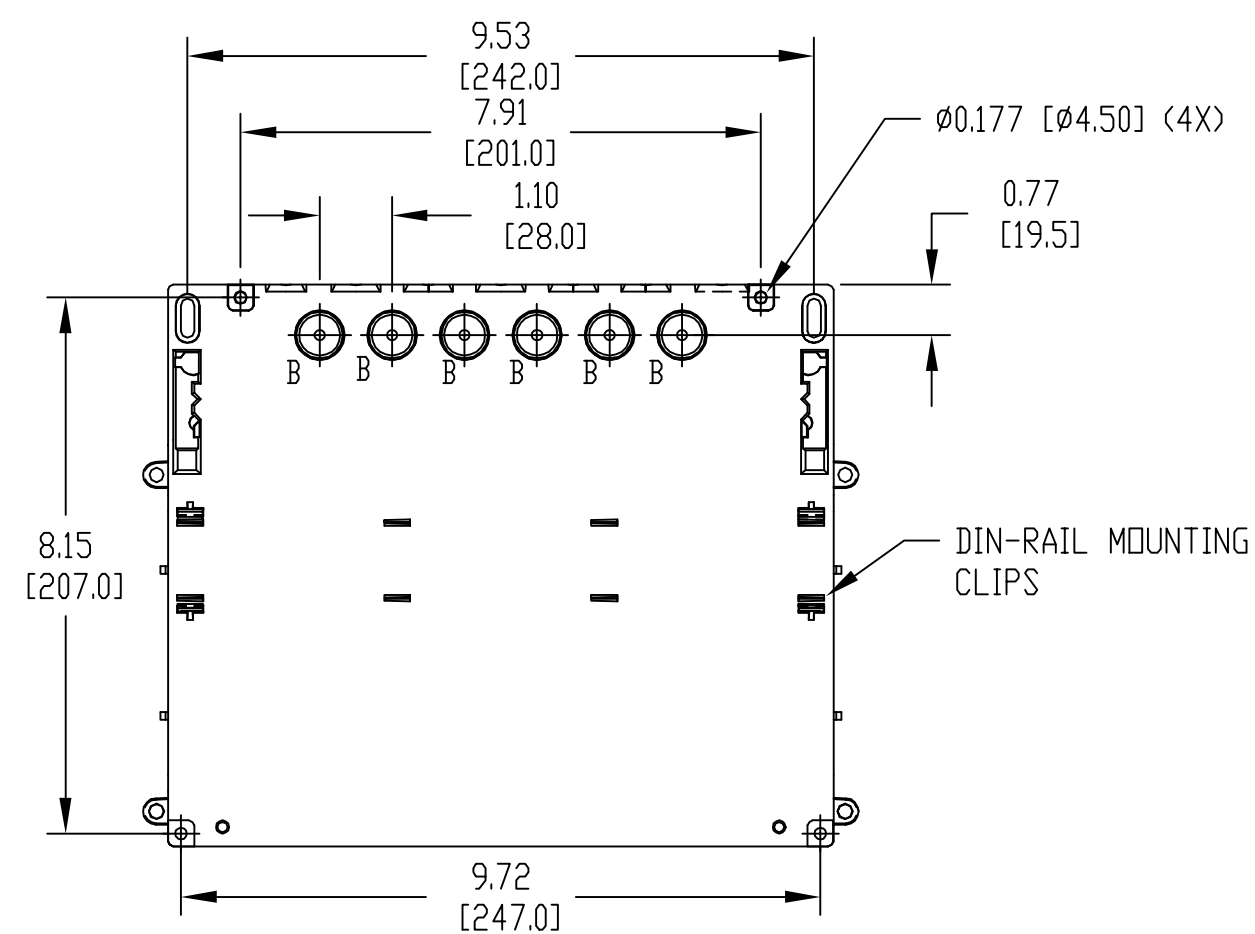
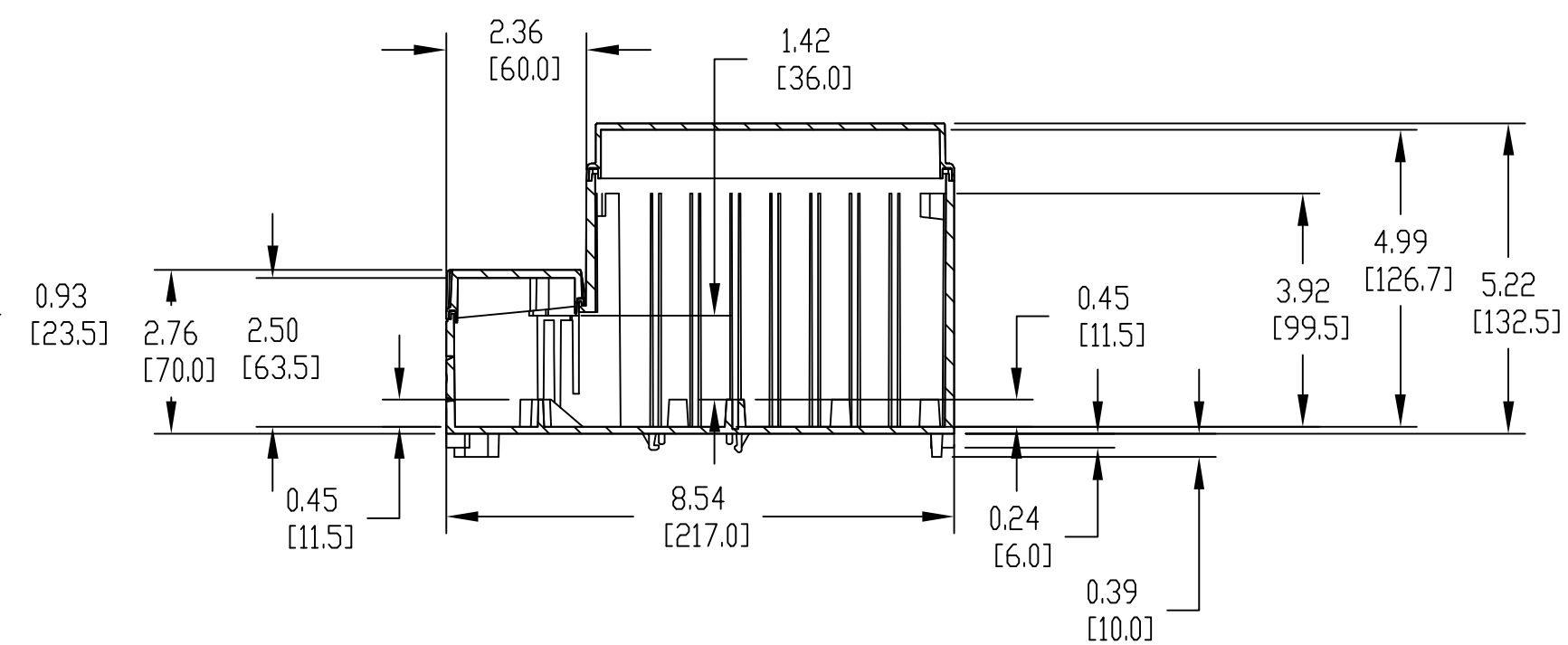
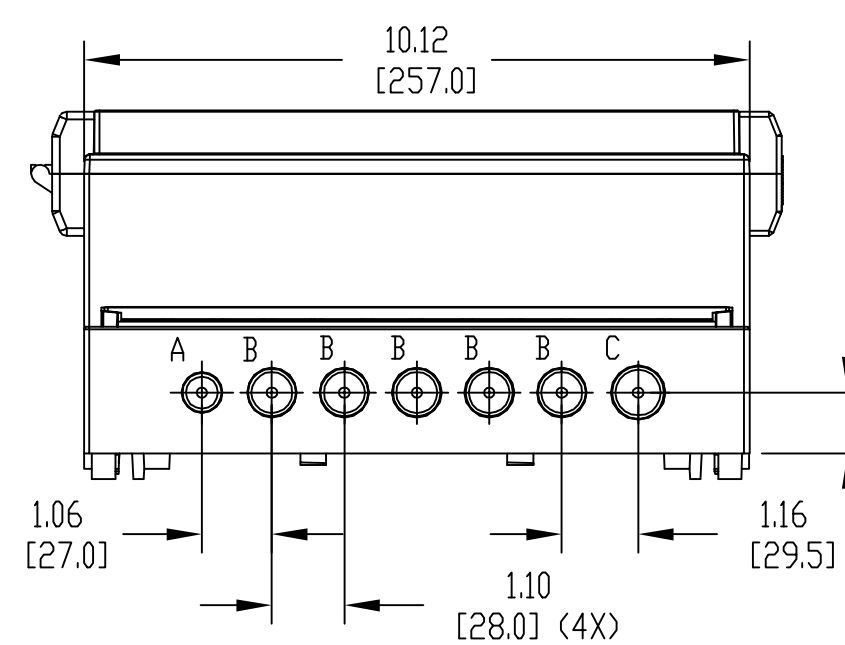
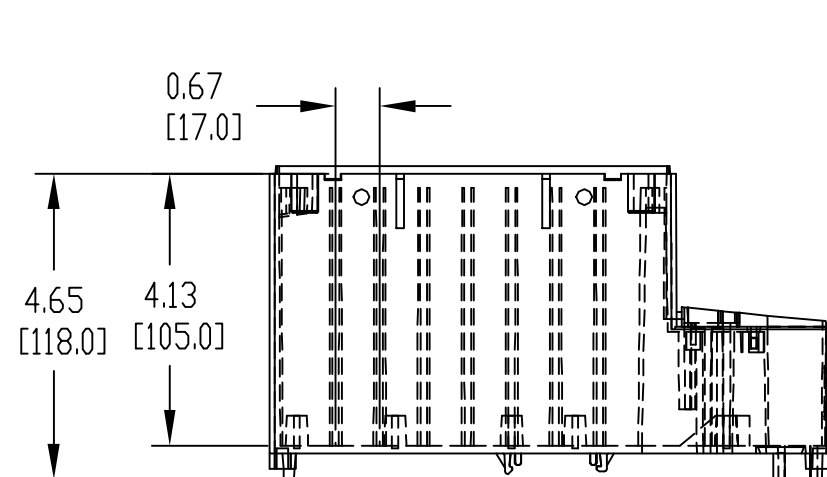


MATERIAL:
 BODY & TERMINAL COMPARTMENT COVER - LIGHT GRAY HIGH IMPACT ABS
 PCB COMPARTMENT COVER - BLUE TINTED POLYCARBONATE (UL 94-HB)

SILICONE SPONGE GASKET IN BOTH COVERS



	KNOCKOUT DIMENSION	CABLE GLAND
A	$\varnothing 0.614$ [15.6mm]	PG 9(OR M12)
B	$\varnothing 0.748$ [19.0mm]	PG 11(OR M16)
C	$\varnothing 0.819$ [20.8mm]	PG 13.5(OR M20)

ALL DIMENSIONS HAVE ± 0.02 [0.4] TOLERANCE UNLESS OTHERWISE SPECIFIED