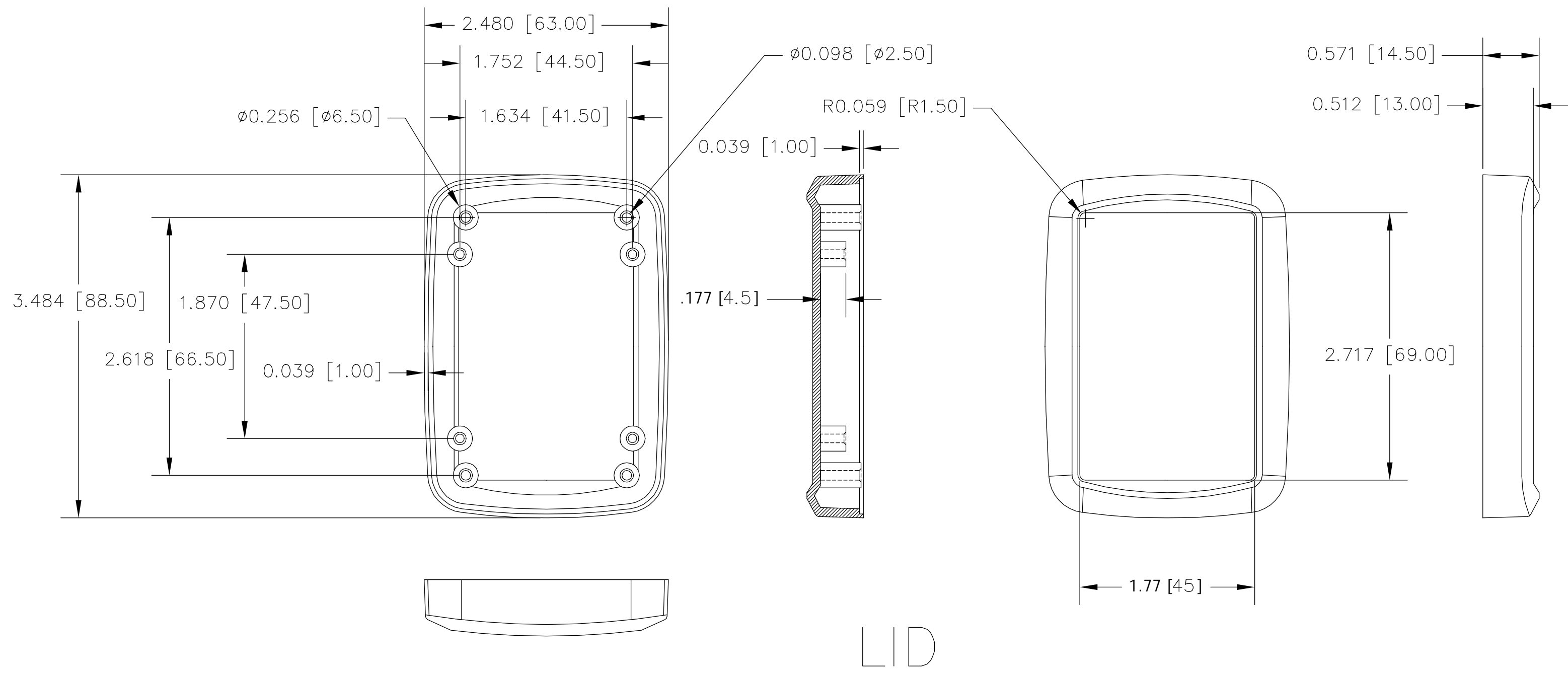
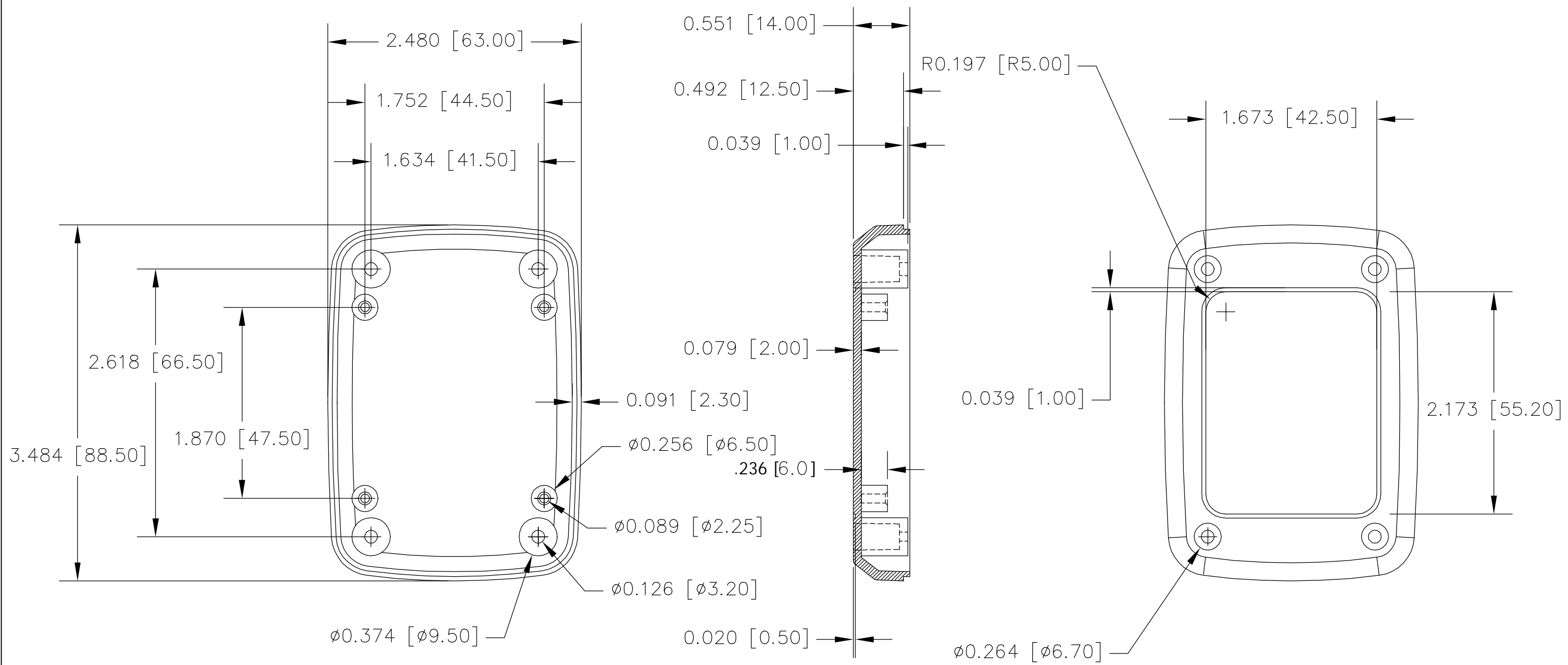
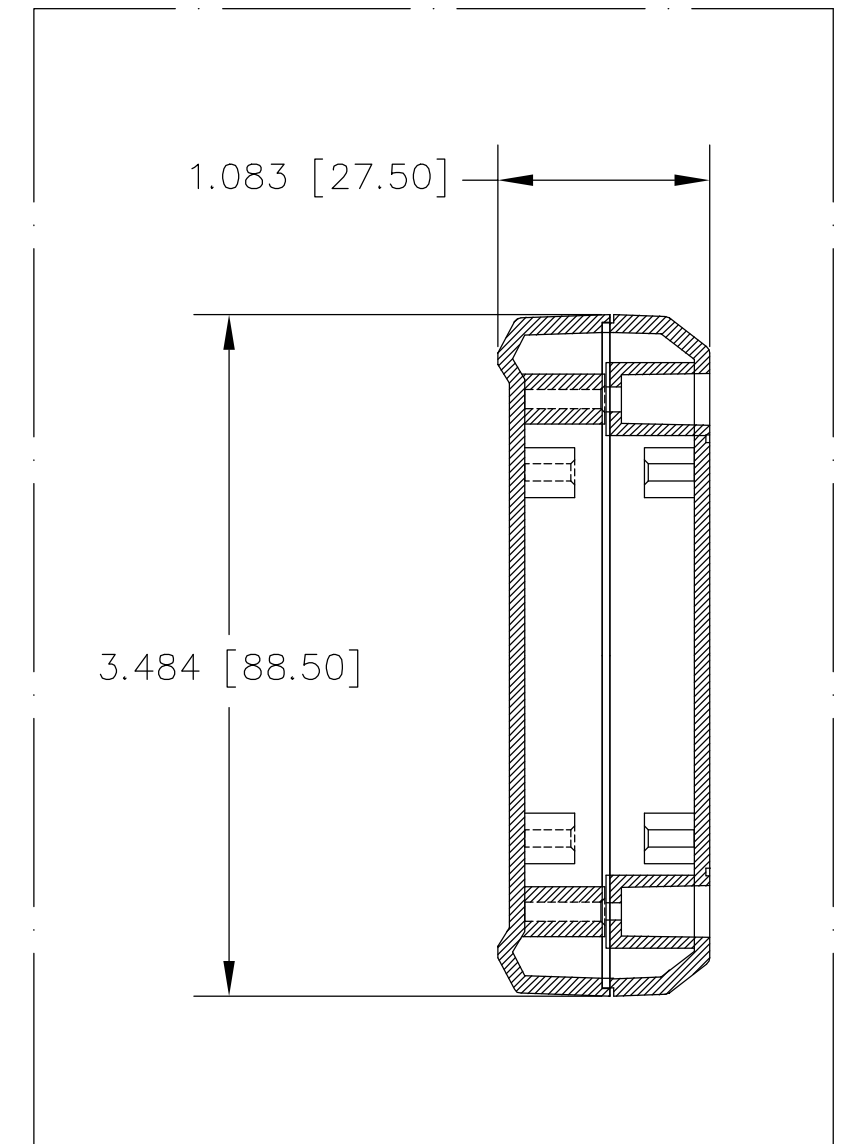


DWG. NO.	HH-3642
ISSUE	REVISIONS
(A)	SCREW DESCRIPTION ADDED 7-9-15



LID



BASE

**MATERIAL :** FLAME RETARDANT OF ABS ( UL94-V0 )  
**COLOR:** BLACK  
**FINISH:**  
 SHELL EXTERIOR SURFACES ARE TEXTURED.  
 RECESSED AREAS ON EXTERIOR ARE SMOOTH.  
 FOUR (4) INTERNAL BOSSES ON EACH SHELL ARE DESIGNED TO TRAP PCB BETWEEN ASSEMBLED SHELL HALVES.  
 FOUR (4) #4-24 x .375 LG. SCREWS (BLACK) ARE SUPPLIED FOR ASSEMBLING SHELL HALVES  
 ALL DIMENSIONAL TOLERANCES ARE +/- .015

ITEM	REQ'D.	PART NO.	DESCRIPTION
TOLERANCES:		MAT: NOTED	NAME:
±.005 BETWEEN HOLE CENTERS		FINISH: BLACK	HAND-HELD BOX STYLE P 3.47 X 2.48 X 1.08
±.015 FROM SHEARED EDGE		DR. RD 10-13-08	
±.032 FROM A BENT SURFACE		CH.	BUD INDUSTRIES, INC.
±.063 BETWEEN ASSEMBLED SURFACES		APP.	WILLOUGHBY, OHIO
QTY.	USED ON	DWG. NO. HH-3642	