

PART NAME

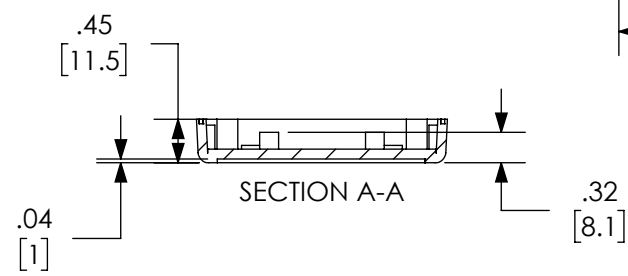
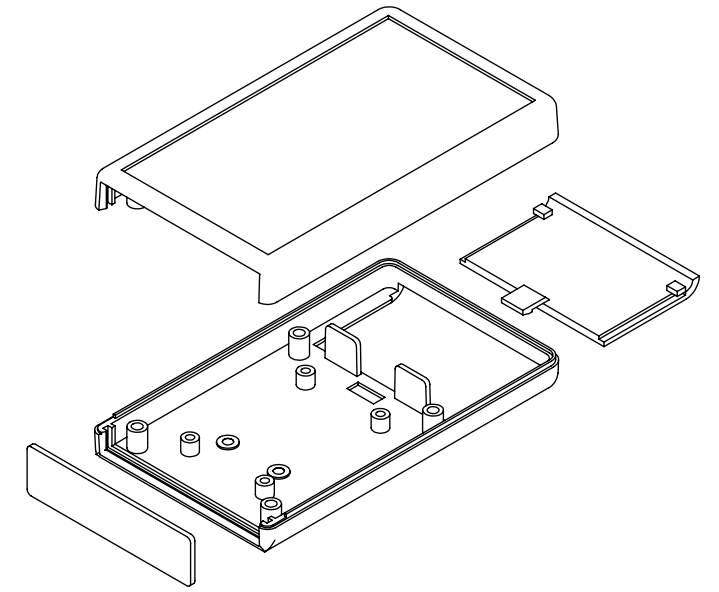
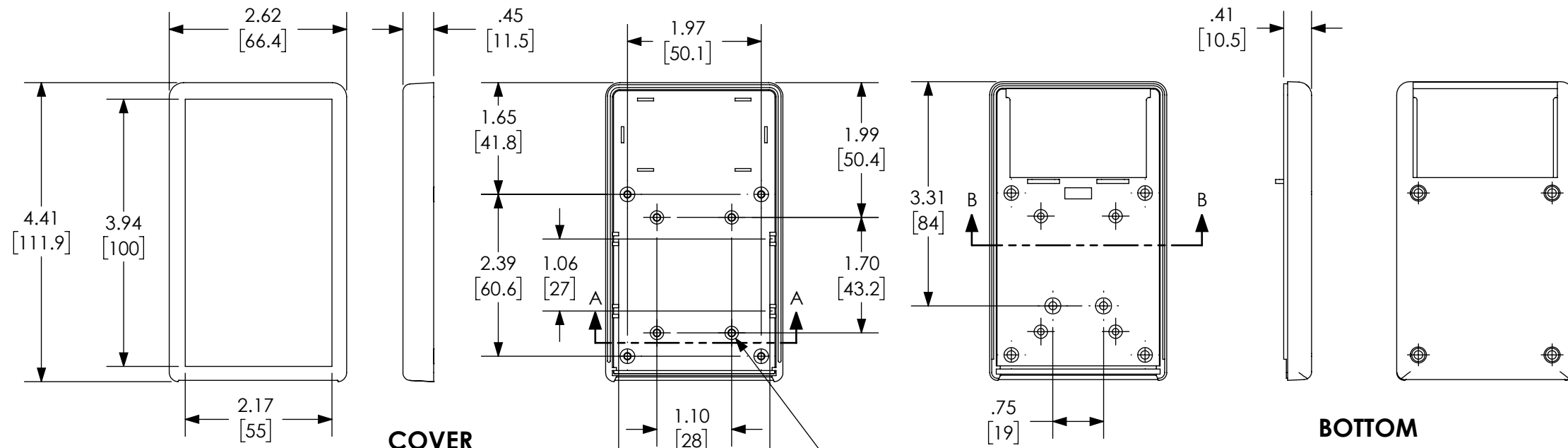
HAND-HELD PLASTIC BOX STYLE 3

PART No.

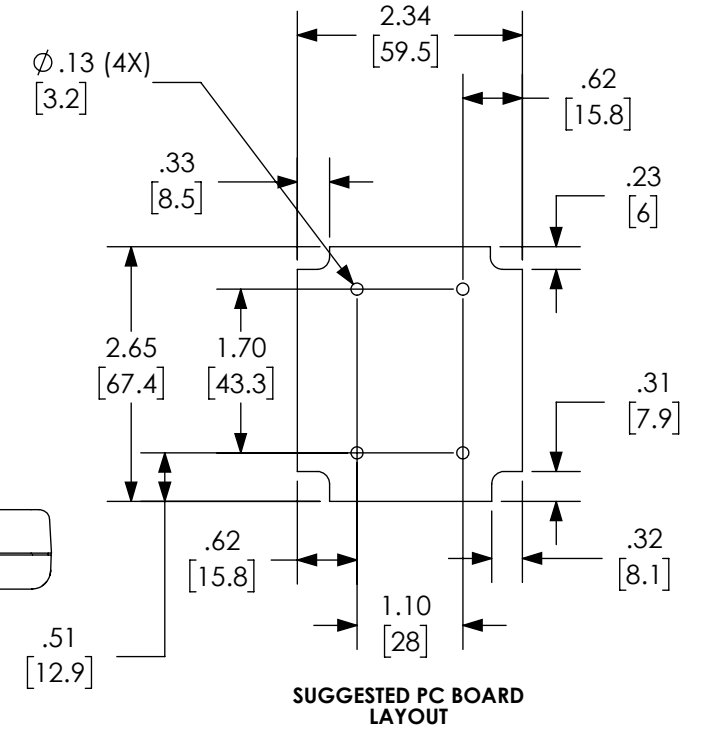
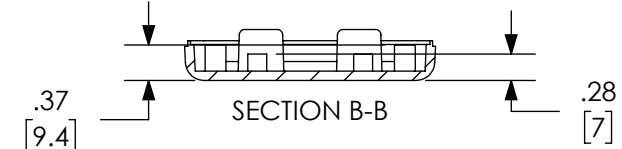
HP-3662-B

REVISION DATE

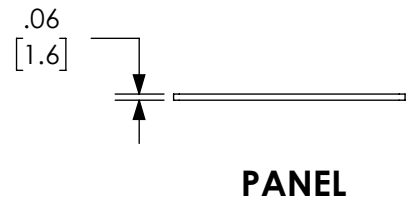
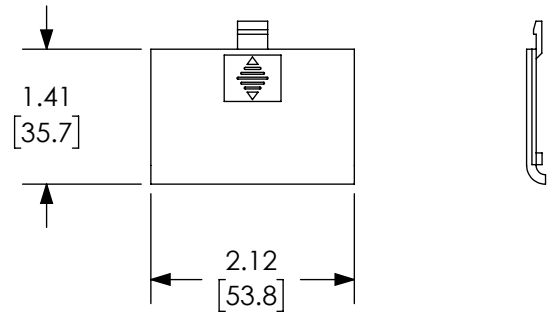
01-25-13



Ø .197[5] BOSS WITH
Ø .098[2.5] HOLE (4X) ∇ .197[5]
MOUNTING BOSSSES USE EITHER
M3 OR #4 SHEET METAL SCREW
(NOT SUPPLIED)



BATTERY COVER



VIEWING AREA
2.29[58.24] X .55[13.9]

- NOTE:**
1. FOUR (4X) M3 X .63[16] LG BLACK CSK HEAD SCREWS SUPPLIED FOR ASSEMBLY
 2. ALL HOLE DIAMETERS HAVE +/- .005[+/- .13] TOLERANCE
ALL OTHER DIMENSIONS HAVE +/- .015[+/- .38] TOLERANCE
 3. ALL OUTSIDE AND INSIDE DRAFT ANGLE: 3°
 4. DIMENSIONS ARE INCH[MM]-THIRD ANGLE PROJECTION

MATERIAL AND FINISH:
BLACK HIGH-IMPACT ABS (UL94-HB)
COVER, BOTTOM, PANEL, AND BATTERY COVER

OPTIONAL ACCESSORIES:
INFRARED PANELS P/N HP-3646
BELT CLIP (BLACK) P/N HH-3595-BCB
2 AAA BATTERY HOLDER: HH-3630