

PART
NAME

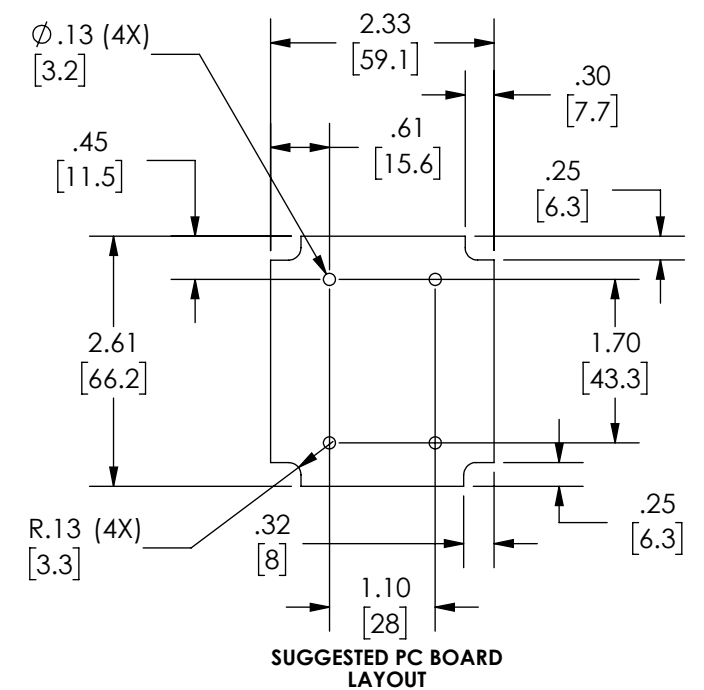
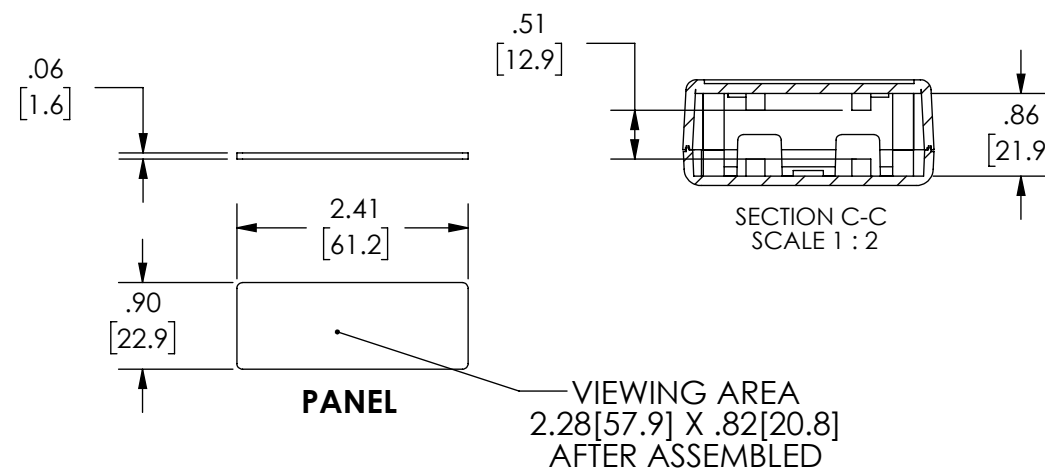
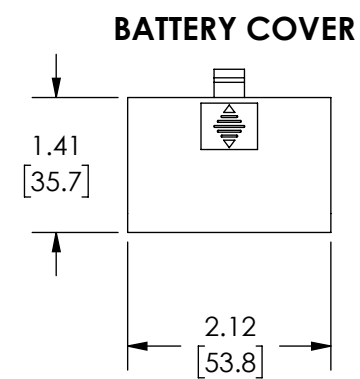
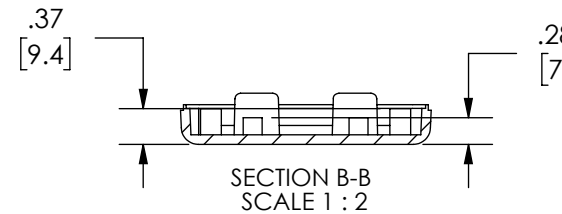
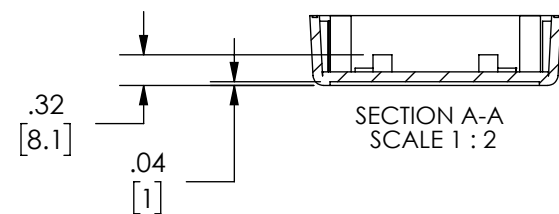
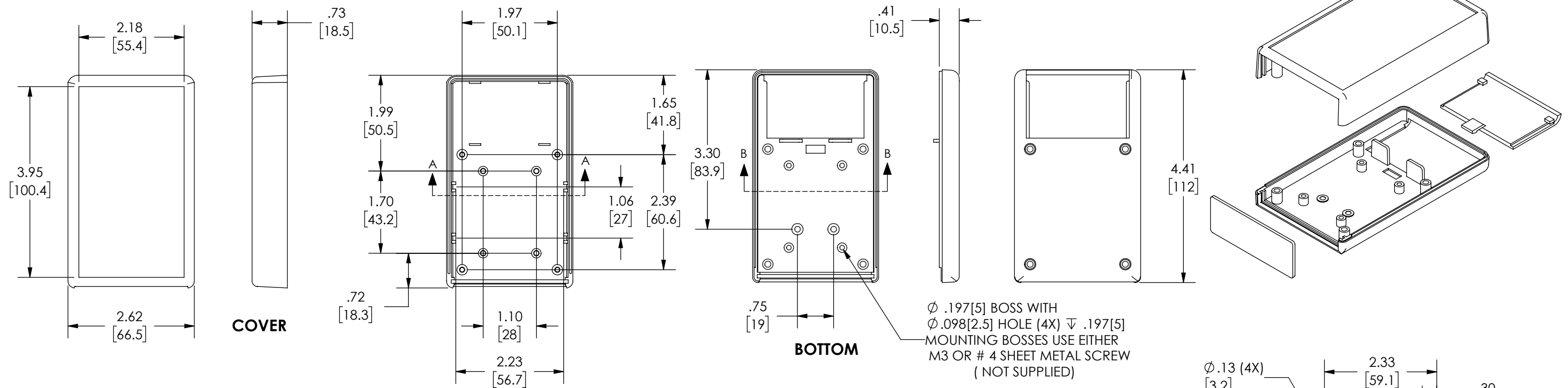
HAND-HELD PLASTIC BOX STYLE 3

PART
No.

HP-3663-B

REVISION
DATE

01-25-13



MATERIAL AND FINISH:
BLACK HIGH-IMPACT ABS (UL94-HB)
COVER, BOTTOM, PANEL, AND BATTERY COVER

OPTIONAL ACCESSORIES:
INFRARED PANELS P/N HP-3645
BELT CLIP (BLACK) P/N HH-3595-BCB
2 AAA BATTERY HOLDER: HH-3630
2 AA BATTERY HOLDER: HH-3632
9V BATTERY CLIP: HH-3449

NOTE:

- FOUR (4X) M3 X .63[16] LG BLACK CSK HEAD SCREWS SUPPLIED FOR ASSEMBLY
- ALL HOLE DIAMETERS HAVE +/- .005[+/- .13] TOLERANCE
ALL OTHER DIMENSIONS HAVE +/- .015[+/- .38] TOLERANCE
- ALL OUTSIDE AND INSIDE DRAFT ANGLE: 3°
- DIMENSIONS ARE INCH[MM]-THIRD ANGLE PROJECTION