

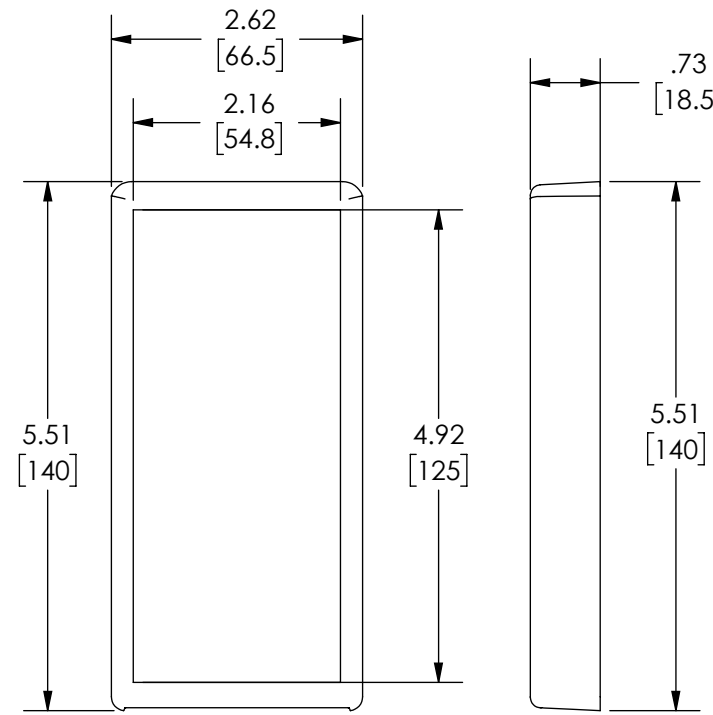
PART NAME

HAND-HELD PLASTIC BOX STYLE 3

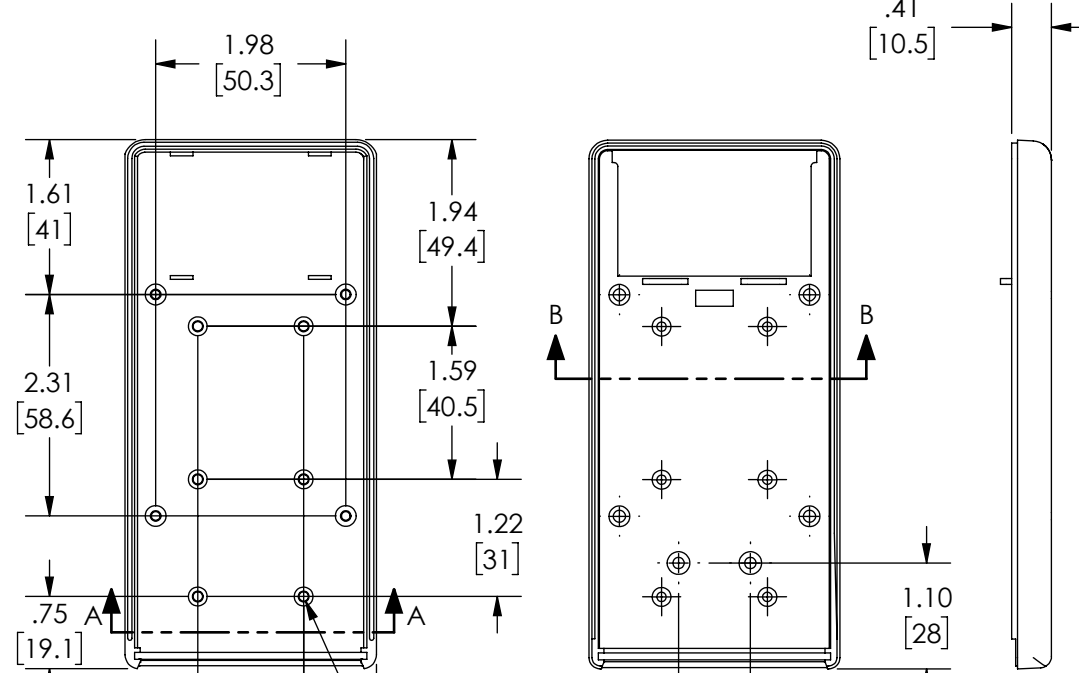
PART No.

HP-3664-B

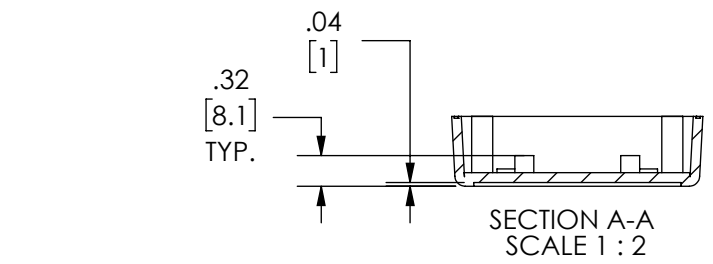
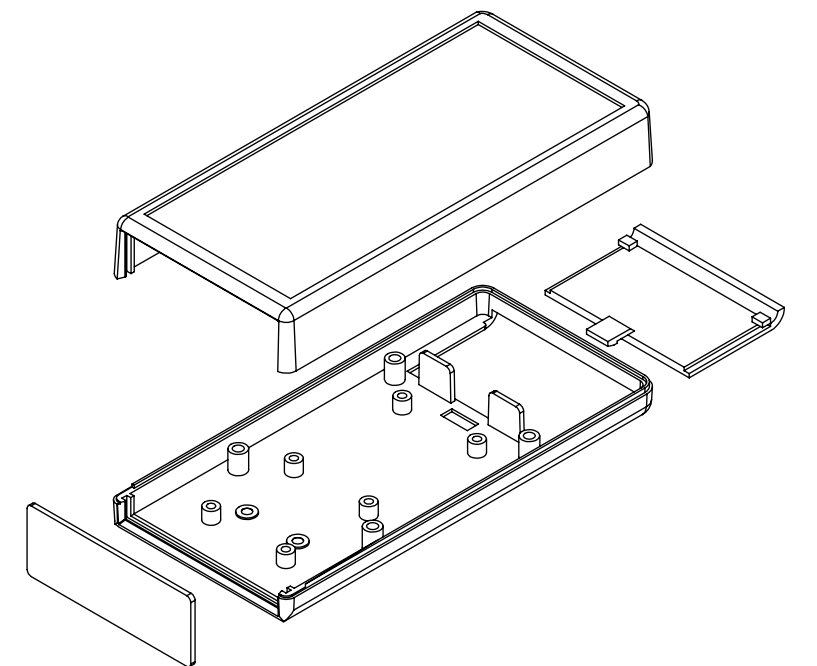
REVISION DATE 01-25-13



COVER

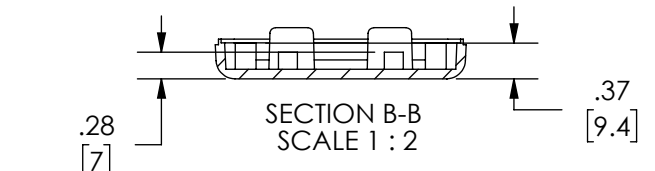


BOTTOM

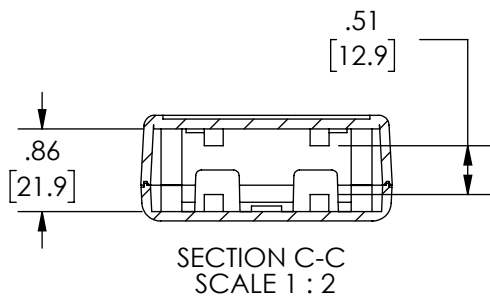


SECTION A-A SCALE 1:2

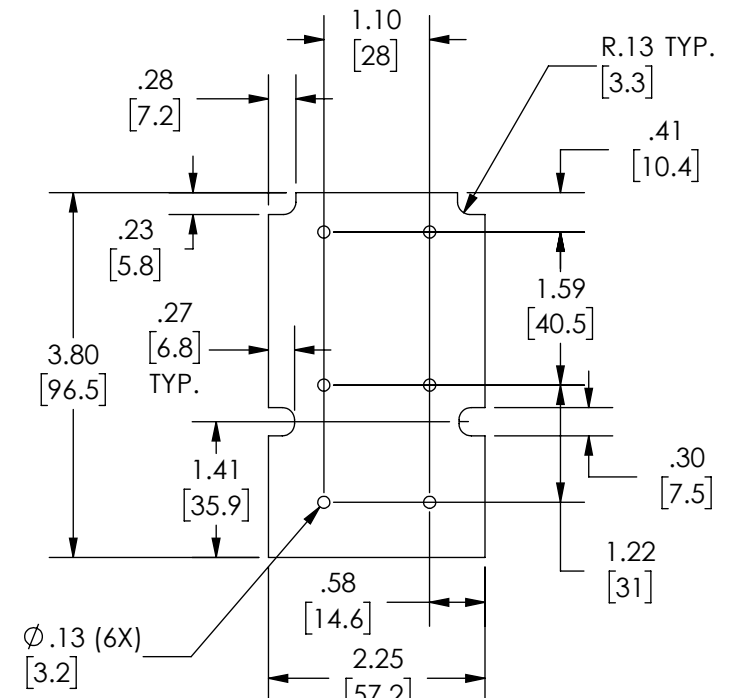
Ø .197[5] BOSS WITH
Ø .098[2.5] HOLE (6X) ∇ .197[5]
MOUNTING BOSS USE EITHER
M3 OR # 4 SHEET METAL SCREW
(NOT SUPPLIED)



SECTION B-B SCALE 1:2

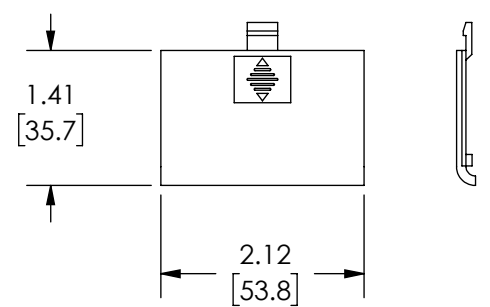


SECTION C-C SCALE 1:2

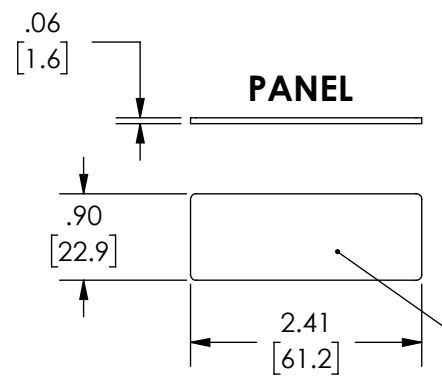


SUGGESTED PC BOARD LAYOUT

BATTERY COVER



PANEL



VIEWING AREA
2.28[57.9] X .82[20.8]
AFTER ASSEMBLY

MATERIAL AND FINISH:
BLACK HIGH-IMPACT ABS (UL94-HB)
COVER, BOTTOM, PANEL, AND BATTERY COVER

OPTIONAL ACCESSORIES:
INFRARED PANELS P/N HP-3645
BELT CLIP (BLACK) P/N HH-3595-BCB
2 AAA BATTERY HOLDER: HH-3630
2 AA BATTERY HOLDER: HH-3632
9V BATTERY CLIP: HH-3449

- NOTE:**
1. FOUR (4X) M3 X .63[16] LG BLACK CSK HEAD SCREWS SUPPLIED FOR ASSEMBLY
 2. ALL HOLE DIAMETERS HAVE +/- .005[+/- .13] TOLERANCE
ALL OTHER DIMENSIONS HAVE +/- .015[+/- .38] TOLERANCE
 3. ALL OUTSIDE AND INSIDE DRAFT ANGLE: 3°
 4. DIMENSIONS ARE INCH[MM]-THIRD ANGLE PROJECTION