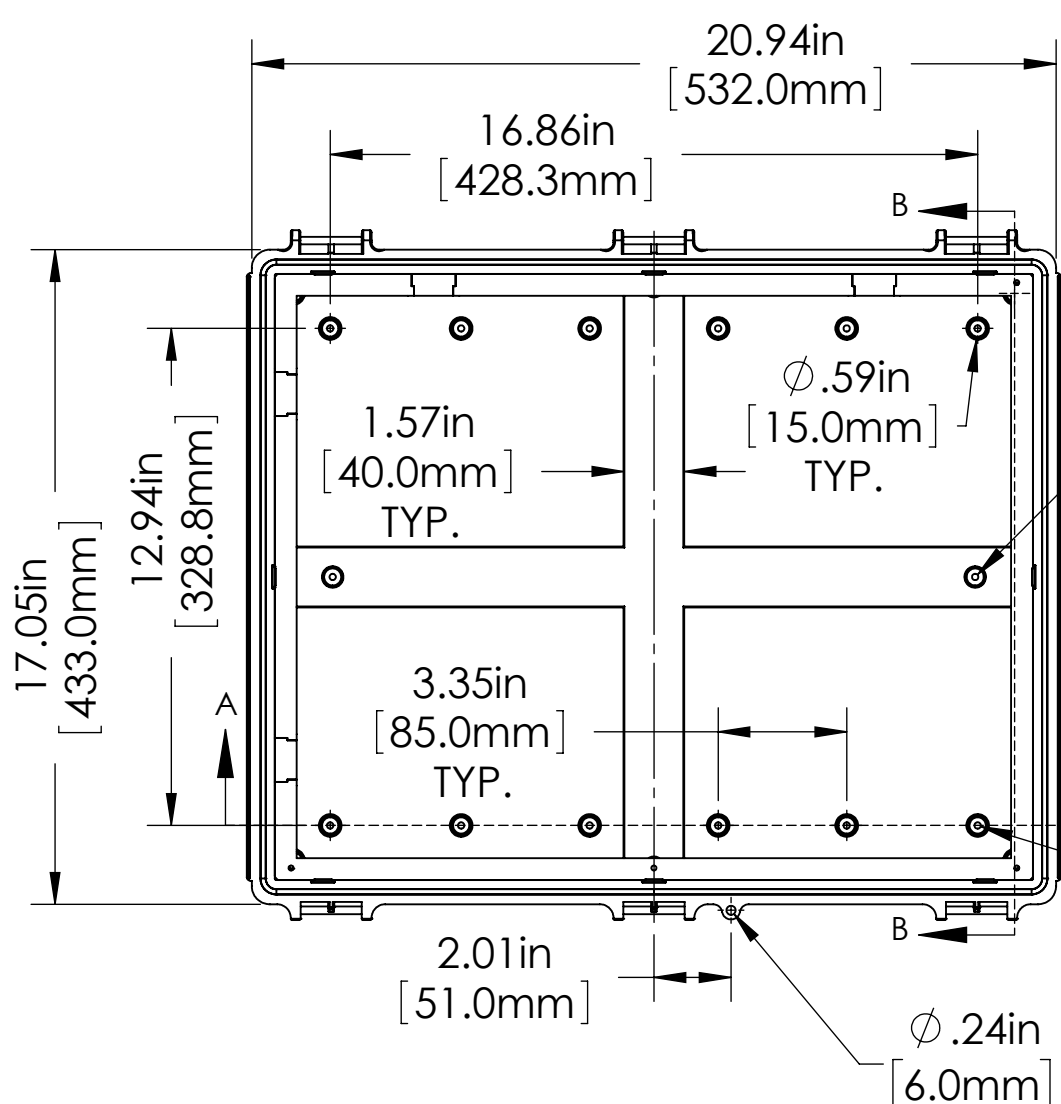
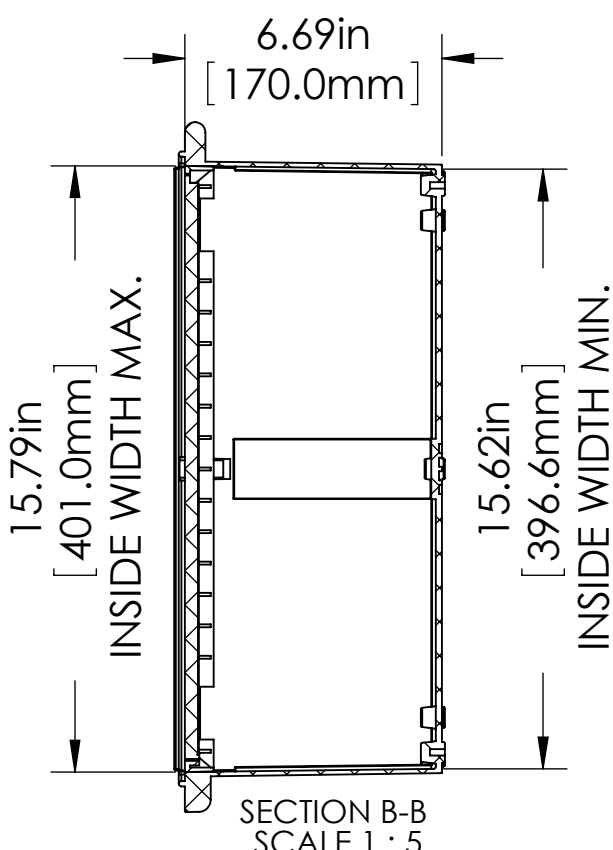


BODY



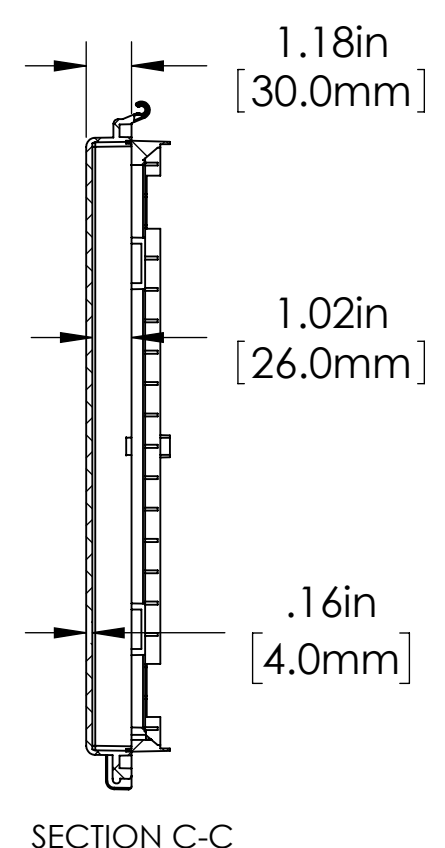
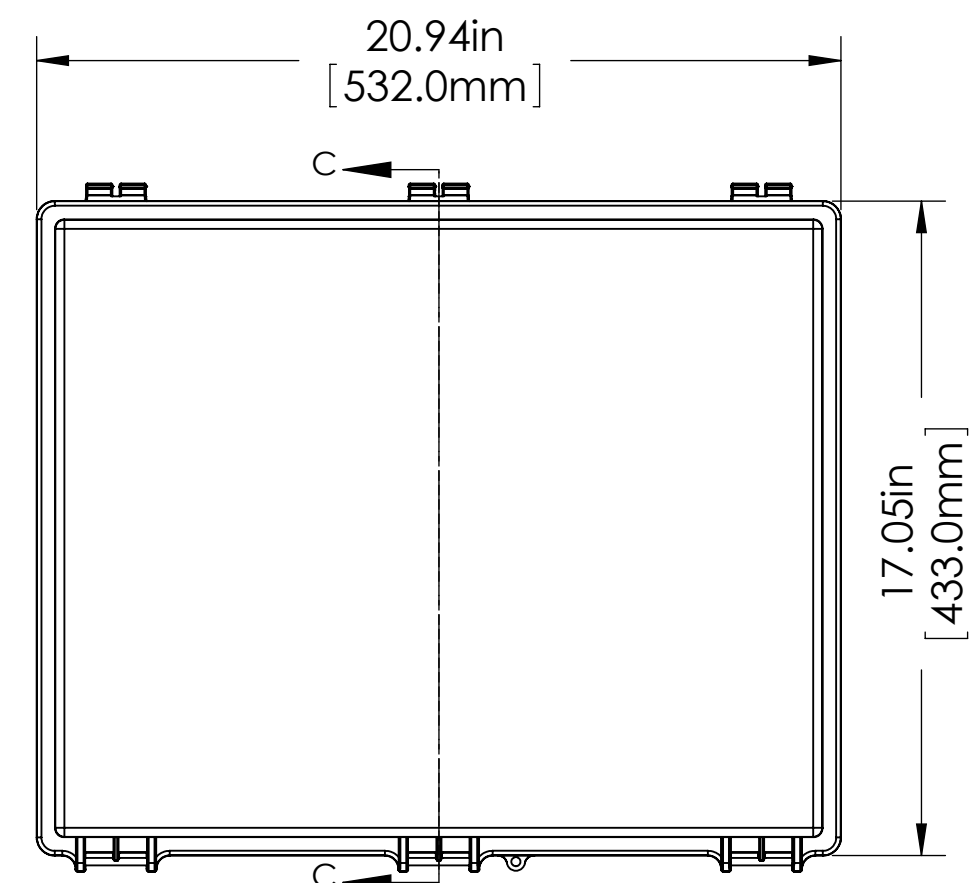
Ø.17[4.2] x .39[10.0]
10 PLCS.
(FOR M5 x 10mm LG.
SELF-TAPPING SCREWS
NOT SUPPLIED)

M5x.8 THREADED INSERTS
4 PLCS.
(FOR M5x.8 x 10mm LG.
MACHINE SCREWS
NOT SUPPLIED)

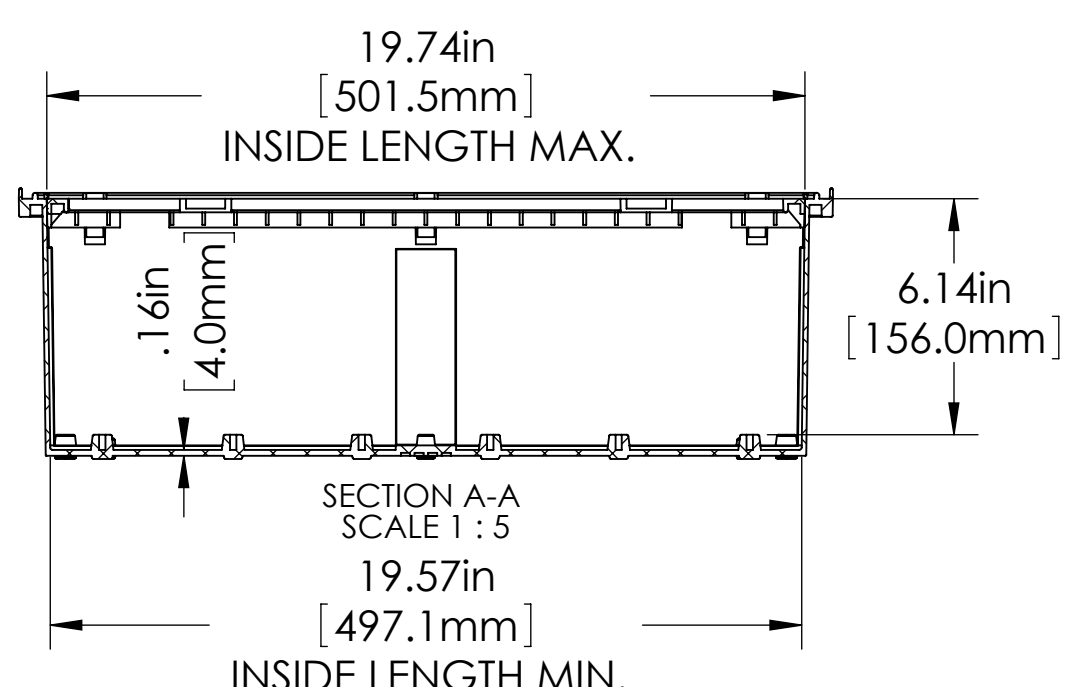


SECTION B-B
SCALE 1:5

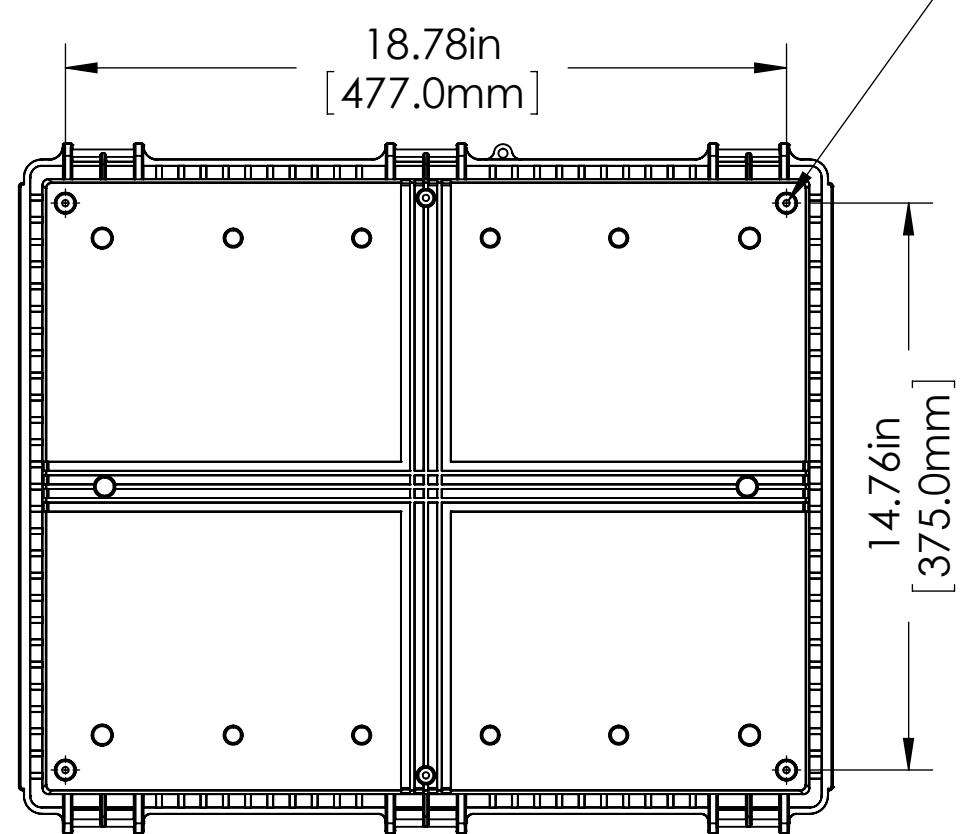
COVER



SECTION C-C

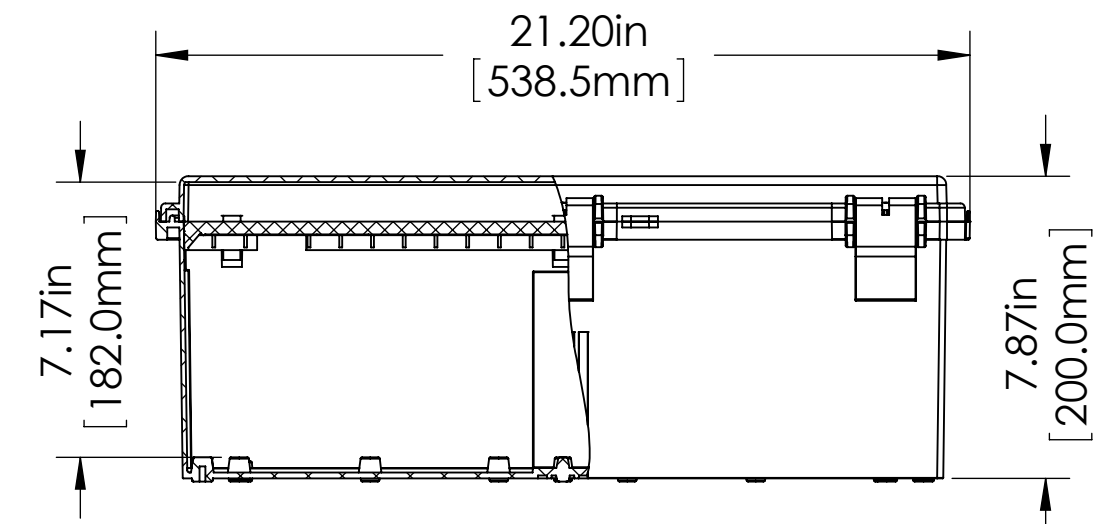
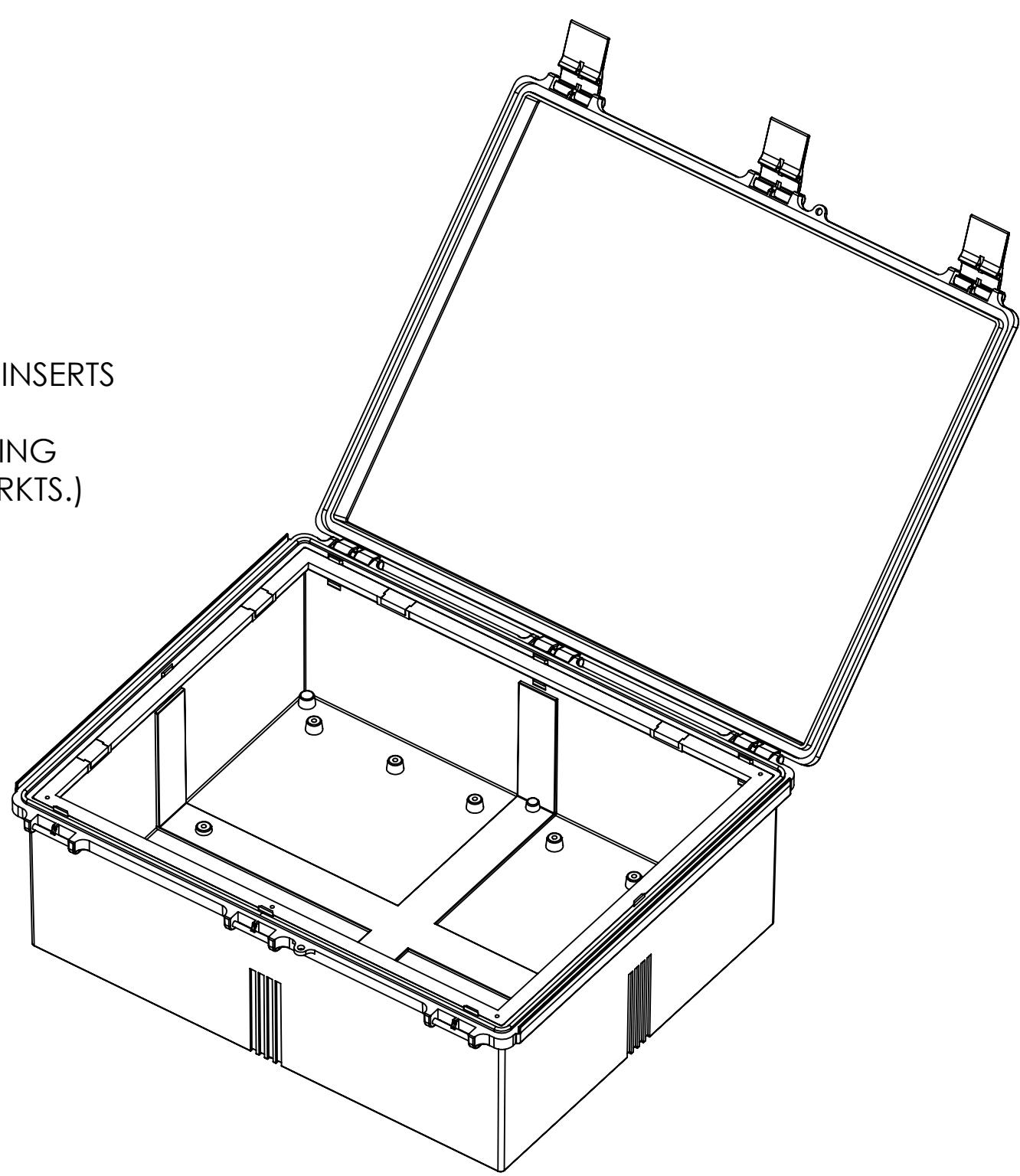


SECTION A-A
SCALE 1:5



M5x.8 THREADED INSERTS
4 PLCS.
(FOR ATTACHING
WALL MOUNT BRKTS.)

ASSEMBLY



MATERIAL:

BODY & LATCHES__LIGHT GRAY-ABS/PC BLEND, UL94-5VA
FLAMMABILITY RATING AT CONTINUOUS OPERATING
TEMPERATURE OF -40°C~ +85°C / -40°F~ 185°F
COVER__CLEAR POLYCARBONATE, UL94-V0
FLAMMABILITY RATING AT CONTINUOUS OPERATING
TEMPERATURE OF -40°C~ +130°C / -40°F~ 266°F & UV
STABILIZED

WALL MOUNTING BRACKETS____14 GA.[2.0mm]
STAINLESS STEEL

SCREWS(FOR WALL MTG. BRKTS.)__STAINLESS STEEL

THREADED BRASS INSERTS MAY HAVE SHINY APPEAR-
ANCE DUE TO CORROSION PROTECTIVE TREATMENT

NOTES:

- 1) UNIT COMES COMPLETE WITH
(4) LARGE WALL MOUNTING BRACKETS &
(4) M5 x 10mm LG. MACHINE SCREWS.
(NOT SHOWN)
- 2) BOXES DESIGNED TO MEET THESE STANDARDS:
NEMA 1,2,4,4X, AND IEC529-IP66 REQUIREMENTS.

TOLERANCE:

ALL DIMENSIONS HAVE ±.039in [±1mm]
TOLERANCE UNLESS OTHERWISE SPECIFIED.