



PART NAME

NBF SERIES PLASTIC NEMA BOX (STYLE A) (OUTDOOR)

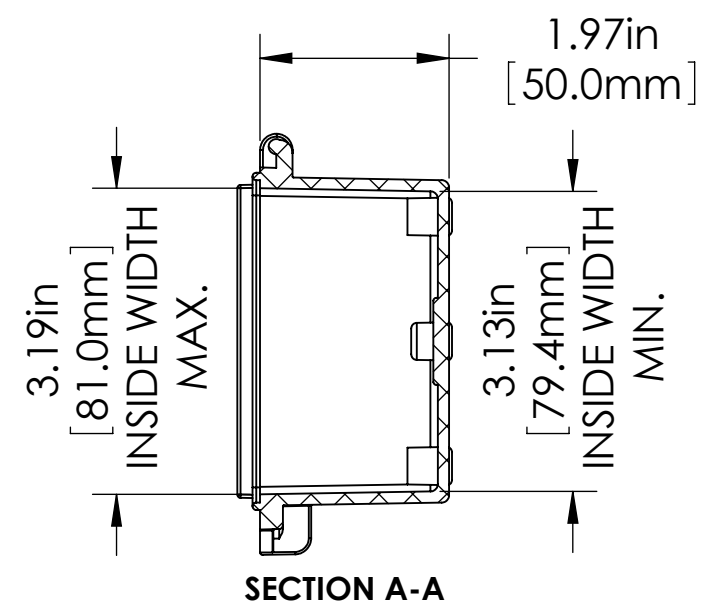
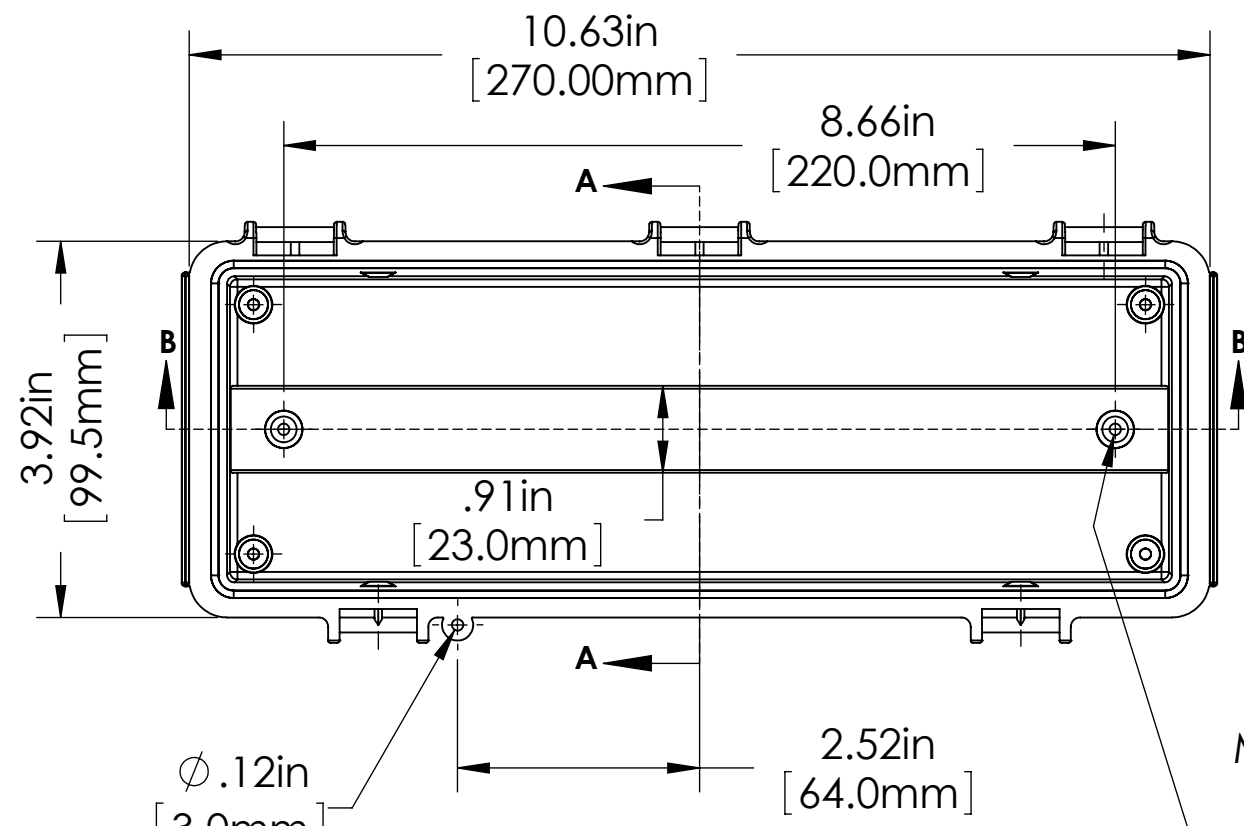
PART No.

NBF-32308

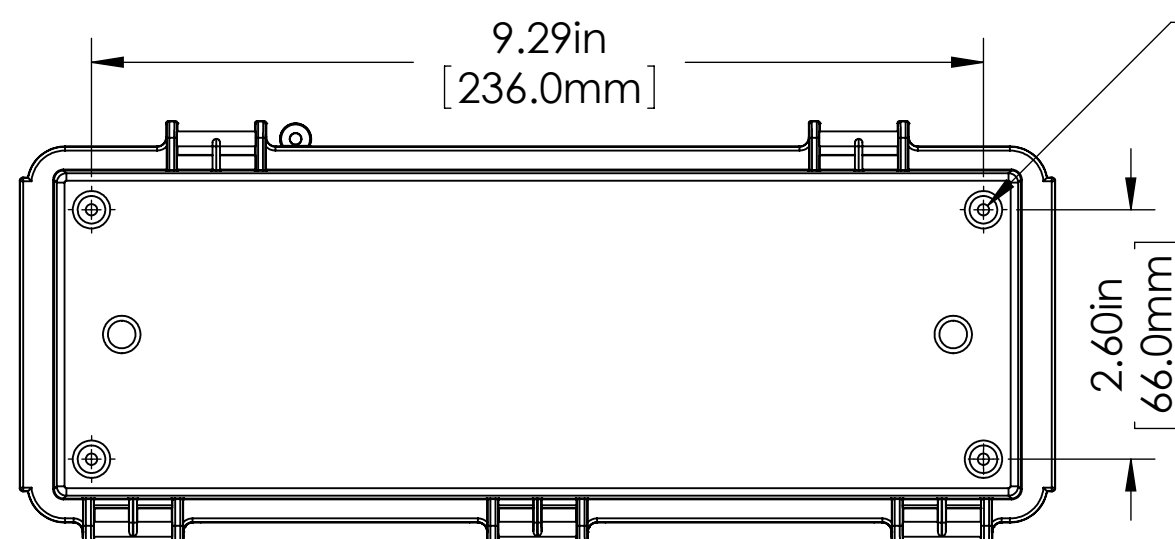
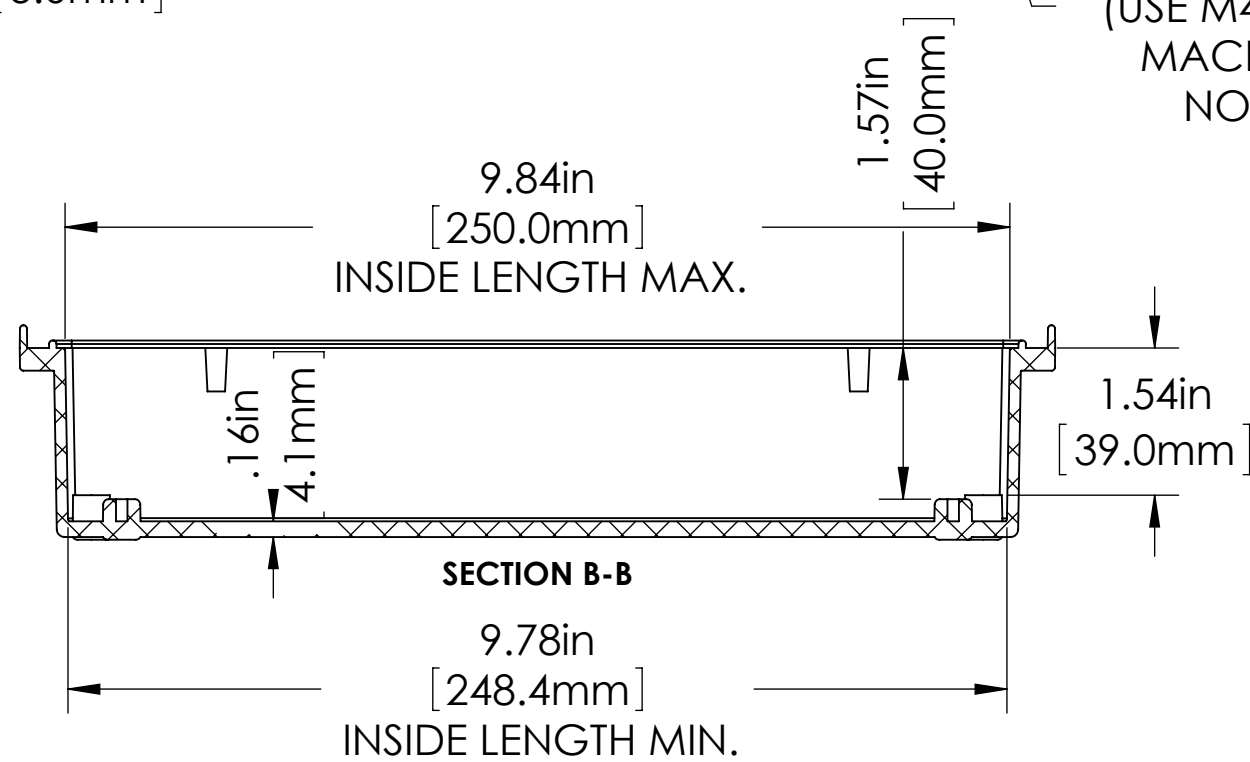
REVISION DATE

7-17-15

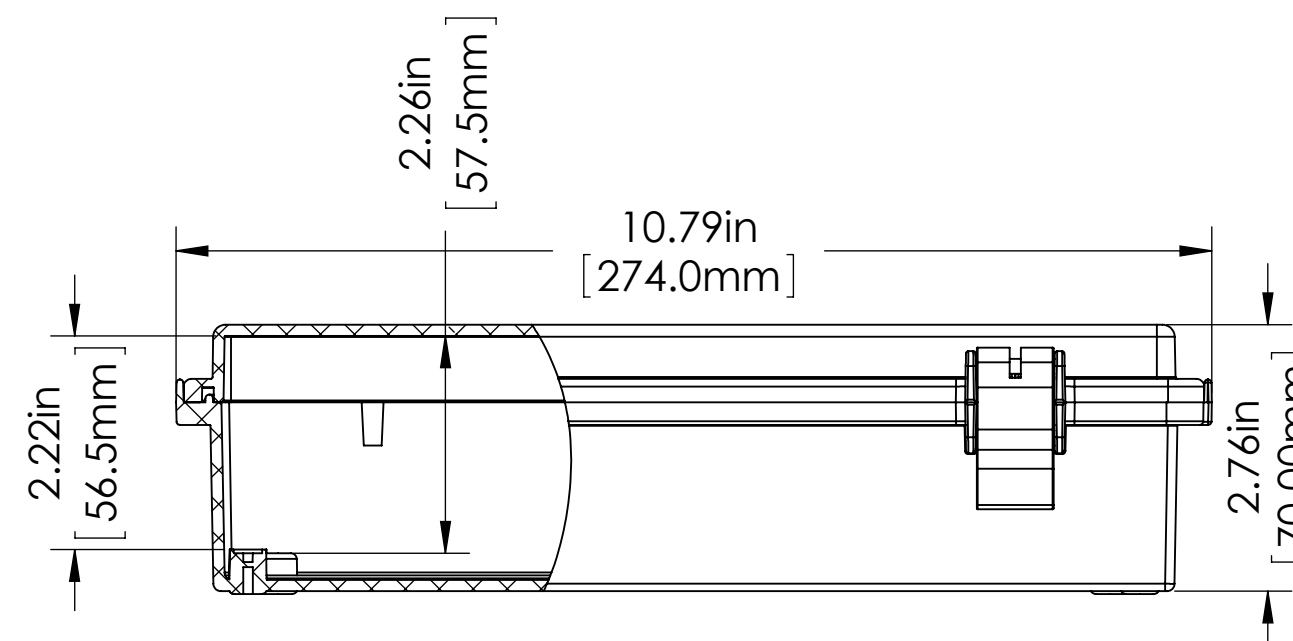
## BODY



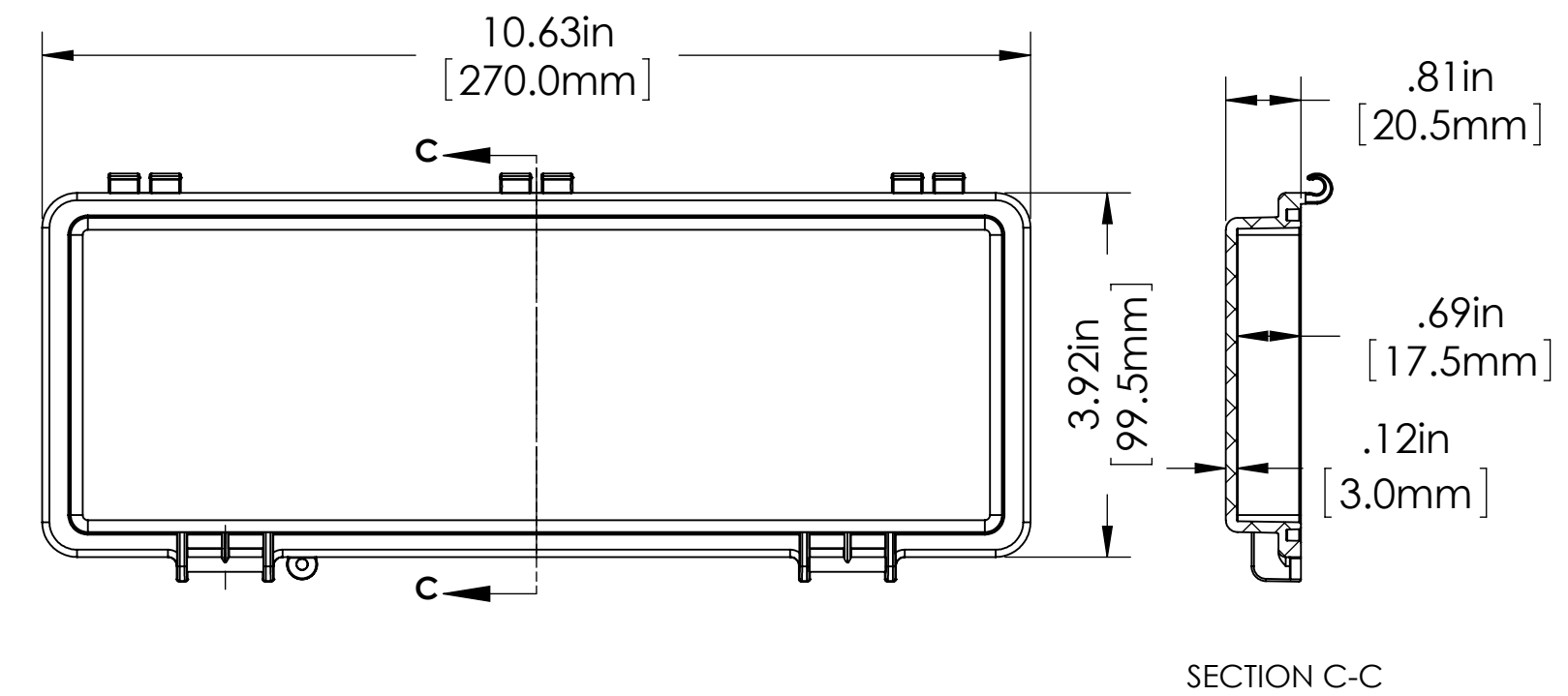
M4x0.7 THREADED INSERTS  
2 PLACES ONLY  
(USE M4x0.7 x 8mm LG.  
MACHINE SCREWS-  
NOT SUPPLIED)



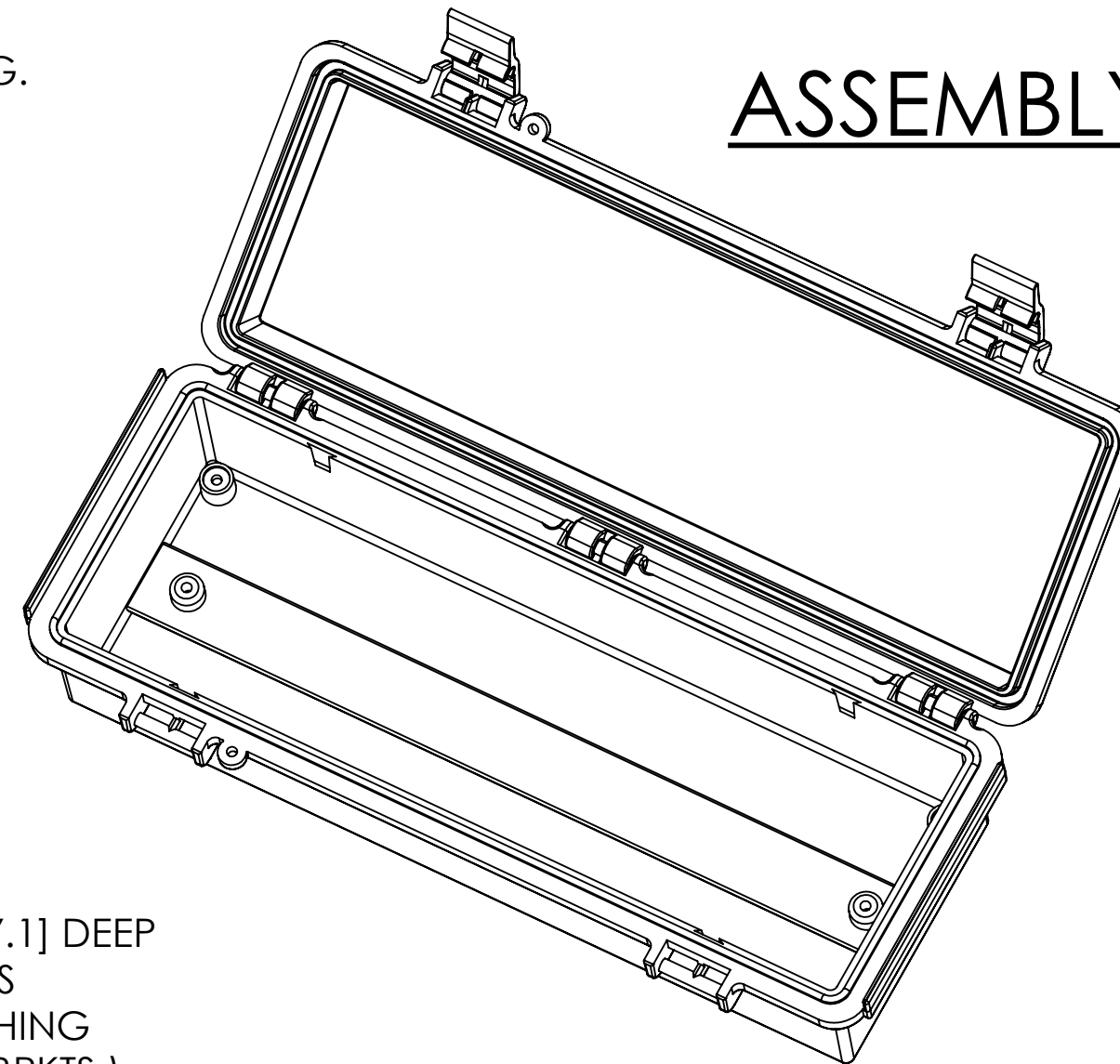
$\phi .12$ [3.0] x  $.28$ [7.1] DEEP  
4 PLACES  
(FOR ATTACHING  
WALL MOUNT BRKTS.)



## COVER



## ASSEMBLY



### MATERIAL:

BODY, COVER, & LATCHES \_\_\_\_\_ LIGHT GRAY  
PBT/PC BLEND, UL94-5VA+UV(f1) FLAMMABILITY  
RATING AT CONTINUOUS OPERATING TEMPERATURE  
OF -40°C ~ +75°C / -40°F ~ 167°F

WALL MOUNTING BRACKETS \_\_\_\_\_ 16 GA. [1.5mm]  
STAINLESS STEEL

SCREWS (FOR WALL MTG. BRKTS.) \_\_\_\_\_ STAINLESS STEEL

### NOTES:

1) UNIT COMES COMPLETE WITH (4) SMALL WALL MOUNTING BRACKETS & (4) M4x0.7 x 8mm LG. SELF-TAPPING SCREWS. (NOT SHOWN)

2) BOXES DESIGNED TO MEET FOLLOWING STANDARDS:  
NEMA 1,2,4,4X AND IEC529-IP66 REQUIREMENTS.

### TOLERANCES:

ALL DIMENSIONS HAVE  
 $\pm .039$ in. [ $\pm 1$ mm] TOLERANCE  
UNLESS OTHERWISE SPECIFIED.