

PART NAME

NEMA 4X PLASTIC BOX w/EXTERNAL MTG. BRKT.

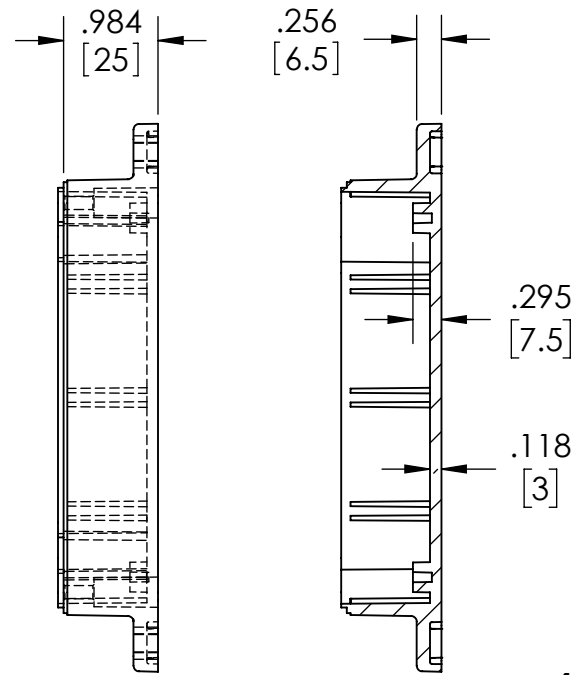
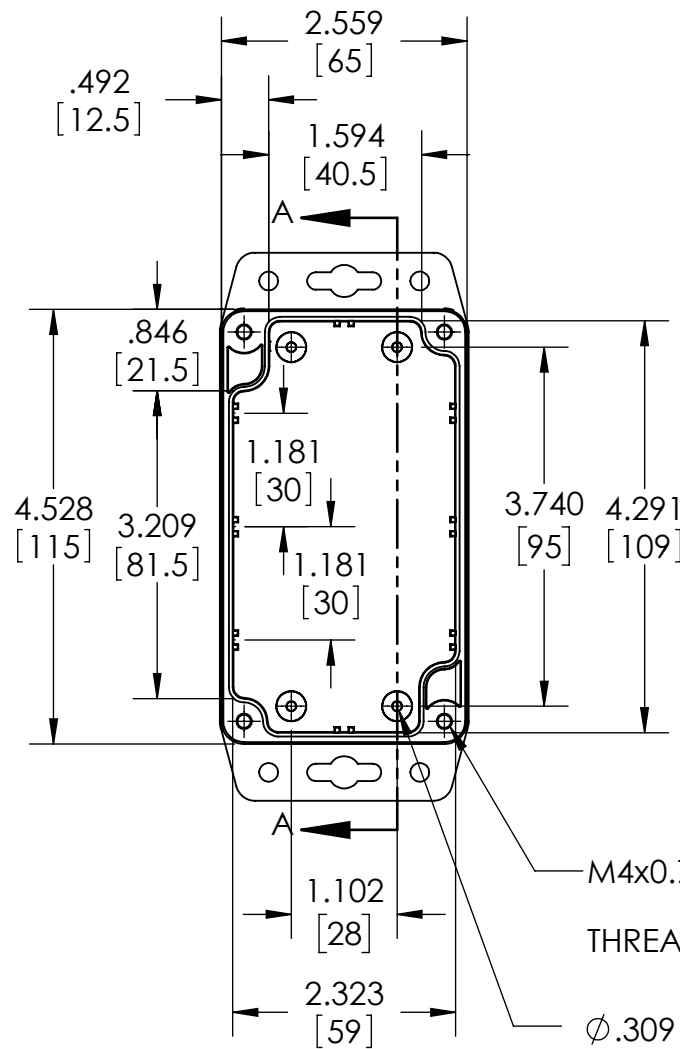
PART No.

PN-1321-MB PN-1321-CMB PN-1321-DGMB

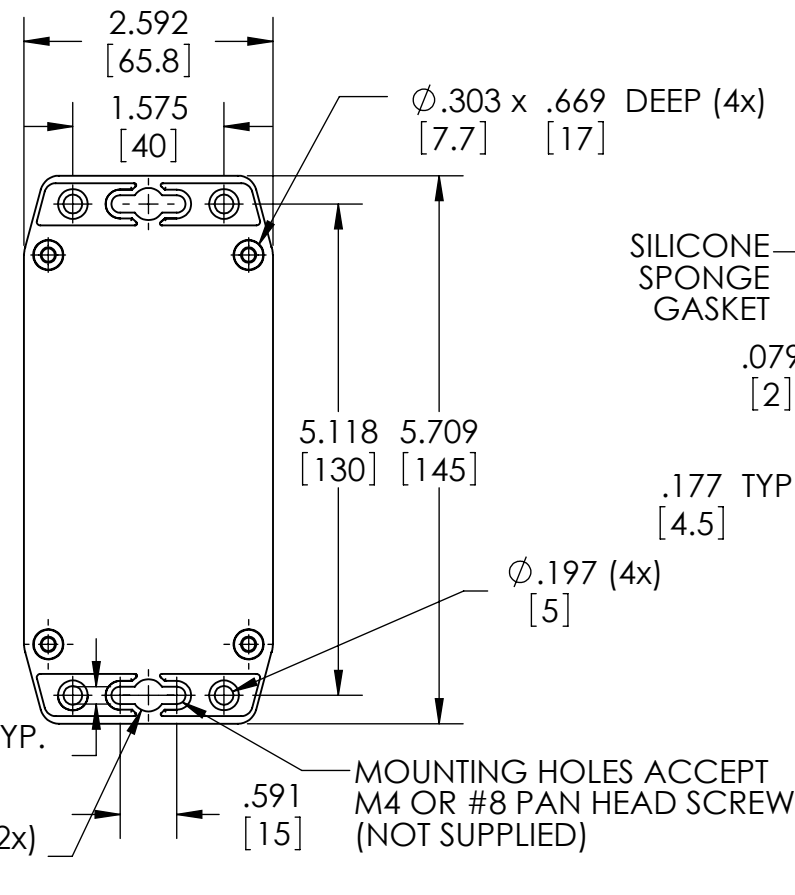
REVISION DATE

3-13-17

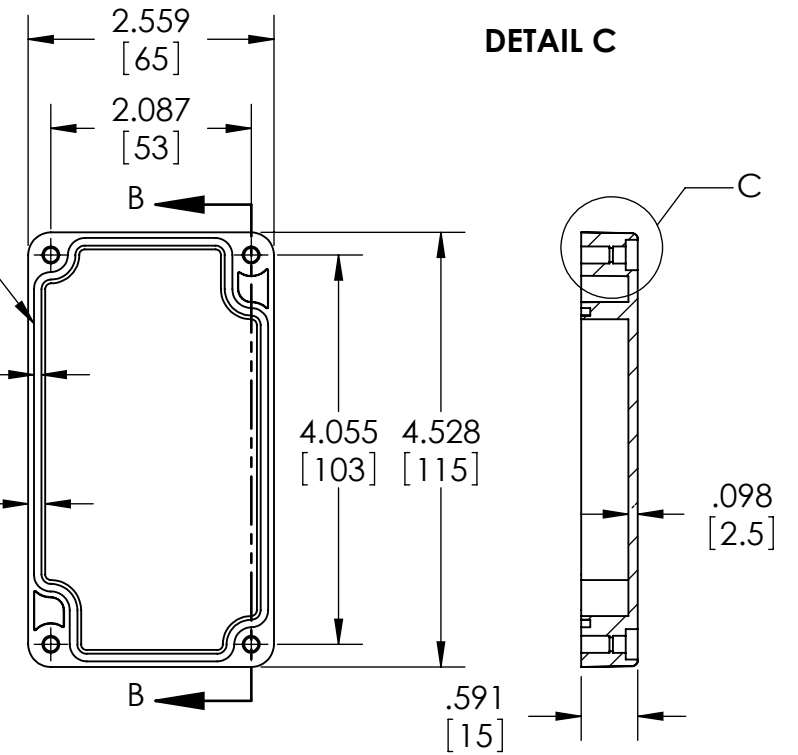
MATERIAL & FINISH:
(-MB SUFFIX PART NO.) POLYCARBONATE UL94-HB, UV STABILIZED, SERVICE TEMPERATURE RANGE: -40°C TO +120°C, LIGHT GRAY BODY & COVER.
(-CMB SUFFIX PART NO.) SAME AS -MB EXCEPT CLEAR COVER.
(-DGMB SUFFIX PART NO.) ABS UL94-HB, SERVICE TEMPERATURE RANGE: -40°C TO +80°C, DARK GRAY BODY & COVER.



SECTION A-A



COVER



SECTION B-B

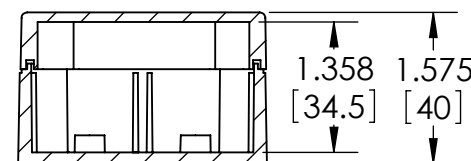
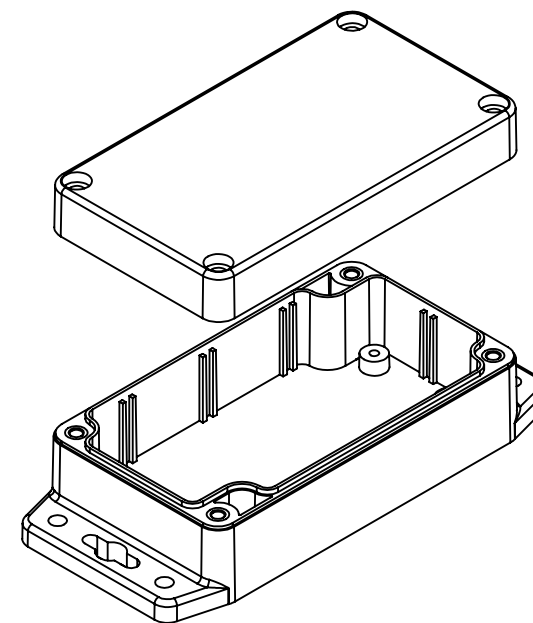
DETAIL C

M4x0.7 x .315 LG. [8] THREADED BRASS INSERT (4x)

$\phi .309$ BOSS WITH $\phi .098$ HOLE [7.8] [2.5] x .118 DEEP (4x) [3]

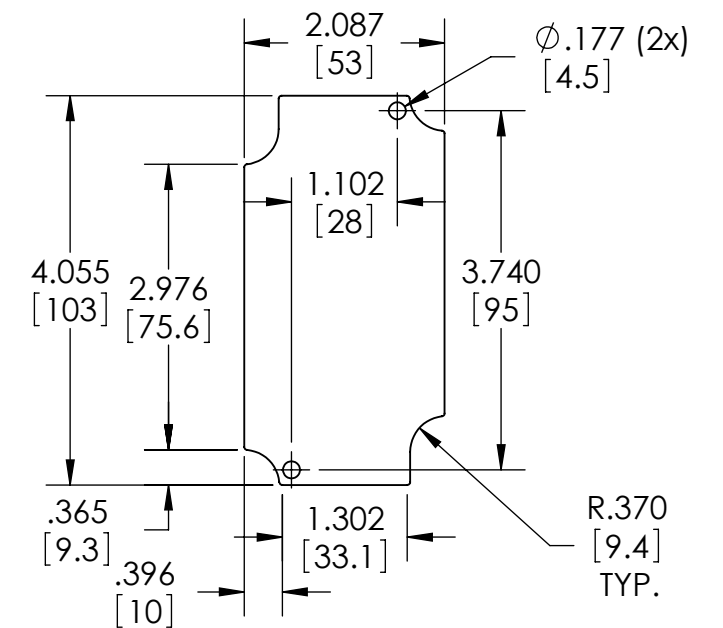
MOUNTING BOSSES ACCEPT M3 x 4mm LG. OR #4 x 3/16" LG. SELF-TAPPING SCREWS (NOT SUPPLIED)

BODY



NOTES:

- 1.) FOUR (4) M4x0.7 x 20mm (.787") LG. STAINLESS STEEL SCREWS SUPPLIED FOR ASSEMBLY OF COVER TO BODY.
- 2.) BOXES DESIGNED TO MEET FOLLOWING STANDARDS: NEMA 1, 2, 4, 4X, 12, 13 AND IEC529-IP65 REQUIREMENTS.
- 3.) ALL HOLE DIAMETERS HAVE $\pm .005$ [.12] TOLERANCE. ALL OTHER DIMENSIONS HAVE $\pm .015$ [.38] TOLERANCE.
- 4.) ALL OUTSIDE DRAFT ANGLE: 1° ALL INSIDE DRAFT ANGLE: 1/2°



SUGGESTED PC BOARD LAYOUT