



PART NAME

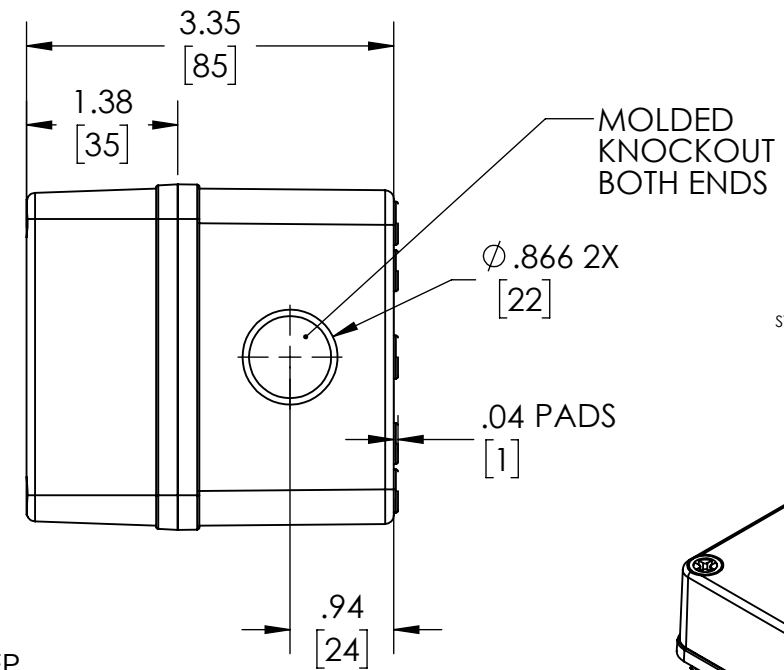
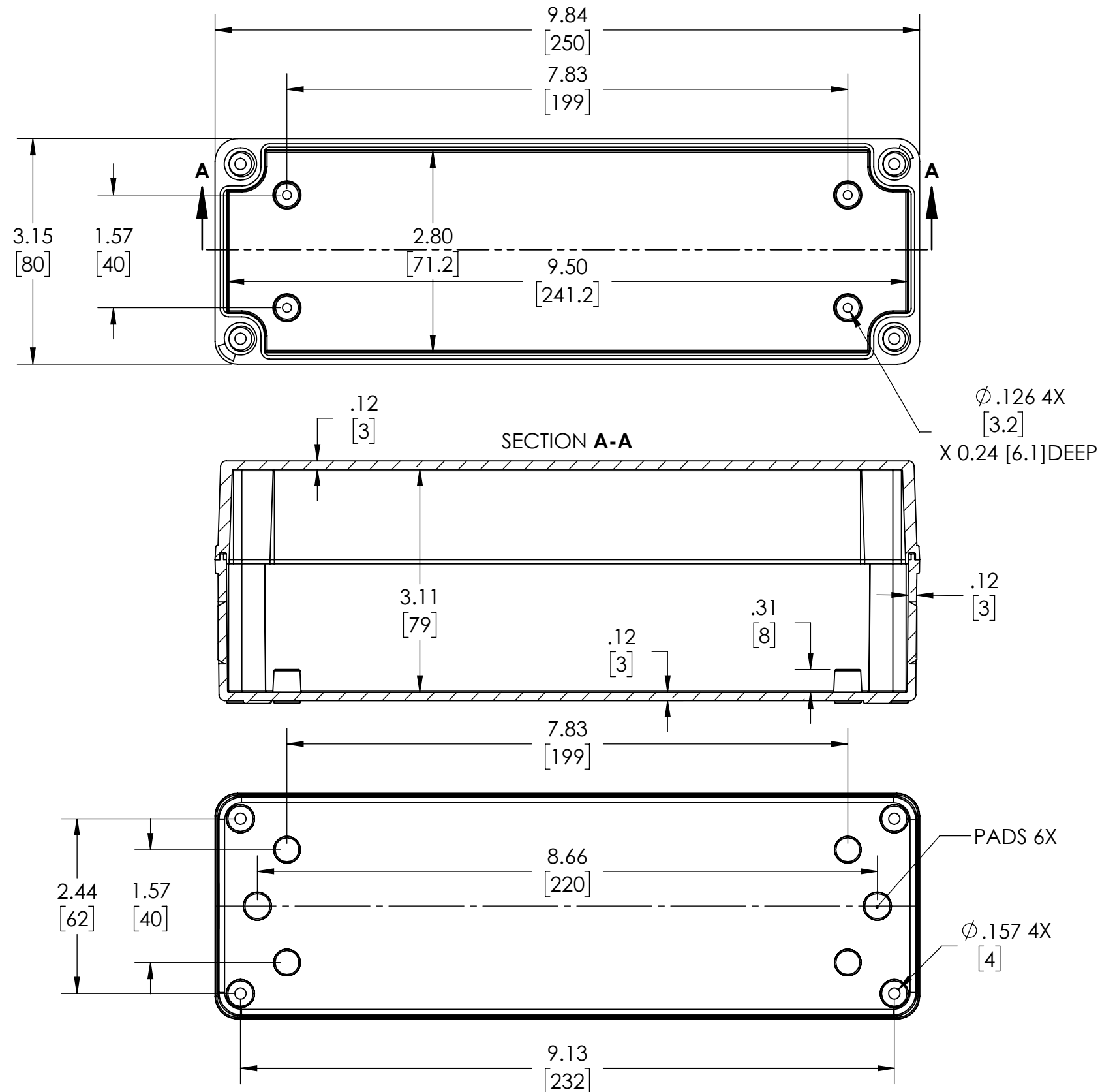
NEM 4X PLASTIC BOX (PTK SERIES)

PART No.

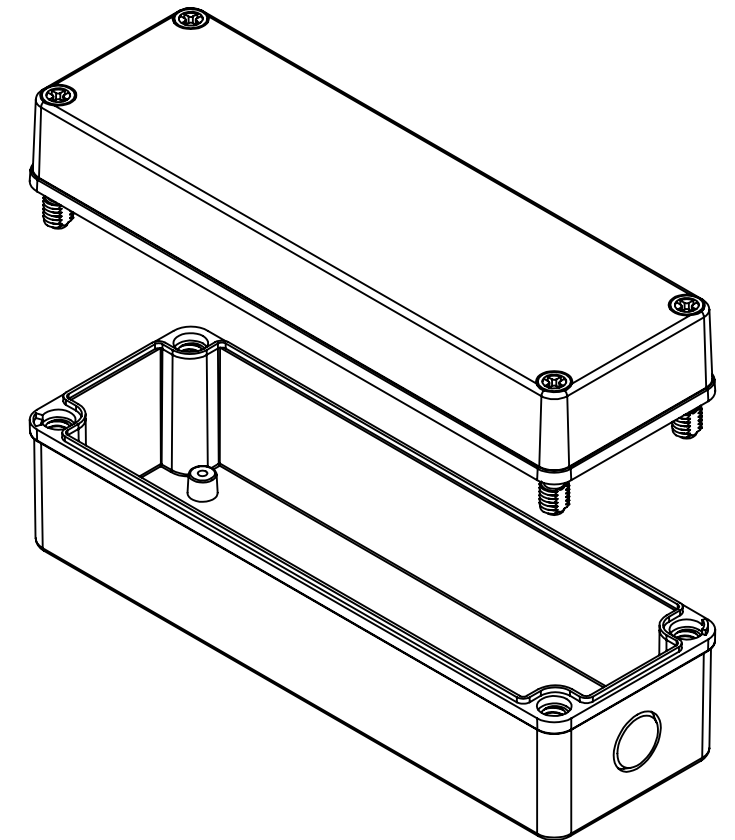
PTK-18427 & PTK-18427-C

REVISION DATE

10-19-17



DRAWING FOR REFERENCE
 WE RESERVE THE RIGHT TO MAKE CHANGES TO OUR
 STANDARD PRODUCTS. PLEASE CONSULT WITH BUD INDUSTRIES
 PRIOR TO USING THIS DRAWING FOR DESIGN PURPOSE.



NOTES:

1- MATERIAL: BODY - GRAY POLYCARBONATE RESIN 10% GLASS FIBER FILLED
 COVER - GRAY OR CLEAR (-C SUFFIX) POLYCARBONATE

2- UL508 / NEMA TYPE 4X & TYPE 6 WITH IP-67 TUV RATING & UL-94 5VA

3- CONTINUOUS Poured FOAM GASKET IN COVER

4- COVER ATTACHES WITH NON-METALLIC CAPTIVE SCREWS

5- INTERNAL BOSSES WILL ACCEPT M4x0.7 x 6mm LG. THREAD FORMING
 SCREWS FOR ATTACHING AN INTERNAL PANEL OR PCB (NOT SUPPLIED)

6 - DIMENSIONS ARE INCH [MM]

OPTIONAL ACCESSORIES:

INTERNAL STEEL PANEL #

MOUNTING BRACKET KIT (STAINLESS STEEL) - #NBX-10922

MOUNTING BRACKET KIT (PLASTIC) #PIX-4117