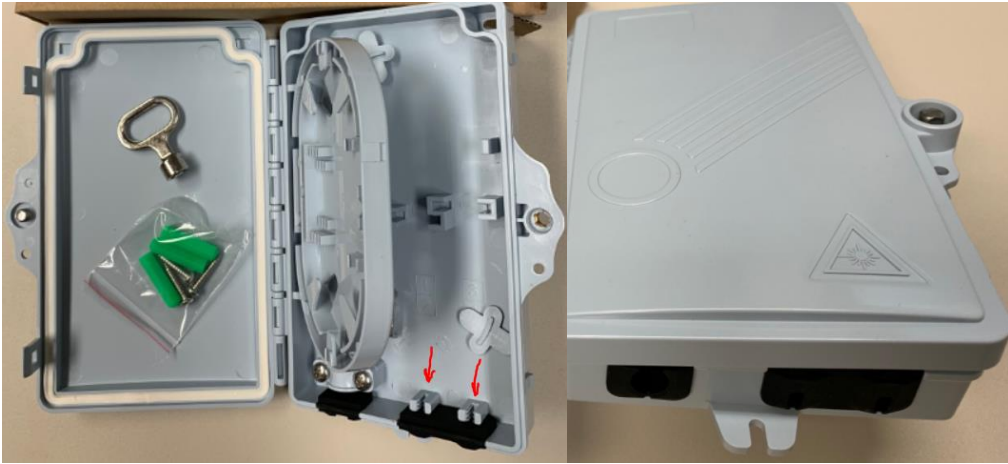


General Description FBR-11604



2 core fiber optic distribution box (termination box Suitable for SC and LC duplex adaptor and pigtail )



This box is used as a termination point for the feeder cable to connect with drop cable in FTTx communication network system.

It integrates fiber splicing, splitting, distribution, storage and cable connection in one unit. Meanwhile, it provides solid protection and

Management for the FTTx network building.

Features

- ◆ clamping for feeder cable and drop cable, fiber splicing, fixation, storage, distribution...etc. all in one
- ◆ Suitable for SC and LC duplex adaptor and pigtail



- ◆ Easy to operate
- ◆ Total enclosed structure
- ◆ Protects and manages cable effectively
- ◆ Secured with anti-theft locking mechanism
- ◆ Standard size, light weight
- ◆ High quality PC +ABS material
- ◆ Suitable for indoor use
- ◆ Good properties of dust, and moisture proofing
- ◆ IP65 Application
- Telecommunication subscriber loop
- Fiber to the home (FTTH)
- LAN/WAN

#### **Technical Data**

Work Temperature  $-40\text{ }^{\circ}\text{C} \sim +85\text{ }^{\circ}\text{C}$

Relative Humidity  $\leq 85\%$  ( $+30\text{ }^{\circ}\text{C}$ )

Atmospheric Pressure  $70\text{Kpa} \sim 106\text{Kpa}$

Insert Loss  $\leq 0.2\text{dB}$

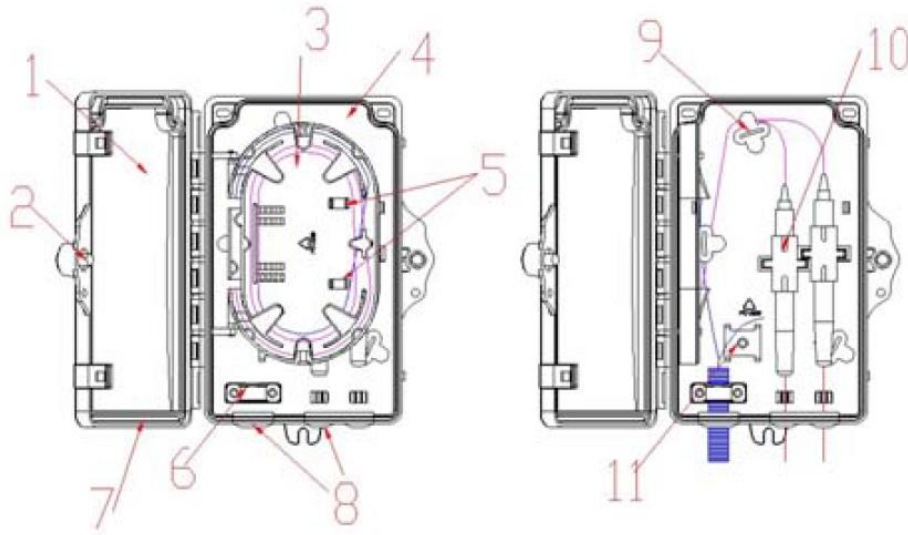
UPC Return Loss  $\geq 50\text{dB}$

APC Return Loss  $\geq 60\text{dB}$

Insert and Pull out Life  $\geq 1000$  times

#### Insulation

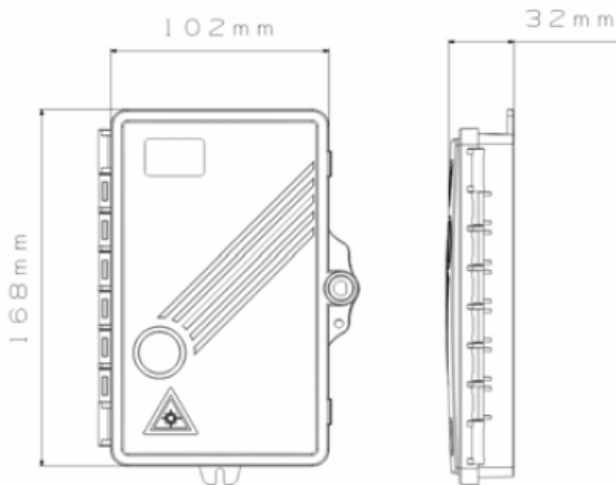
The grounding device is insulated with the Termination box,  $IR \geq 1000\text{m } \Omega/500\text{V}$  (direct current)  
Between the grounding device and the box body, the withstand voltage is over  $3000\text{V}/\text{Min}$ , no  
Withstand Voltage breakdown and flashover.  $U \geq 3000\text{V}$  (direct current)



1.Lid; 2.Lock; 3.Splicing flap plate; 4.base; 5.PLC Mounting position; 6. Main cable mound layer; 7.Seal gasket; 8.Water-proof sleeve; 9.Drop cable clip; 10.Adaptor; 11. Main cable strengthen mound layer

## Dimensions

168x102x32mm



## Installation Dimensions

160mmx80mm

