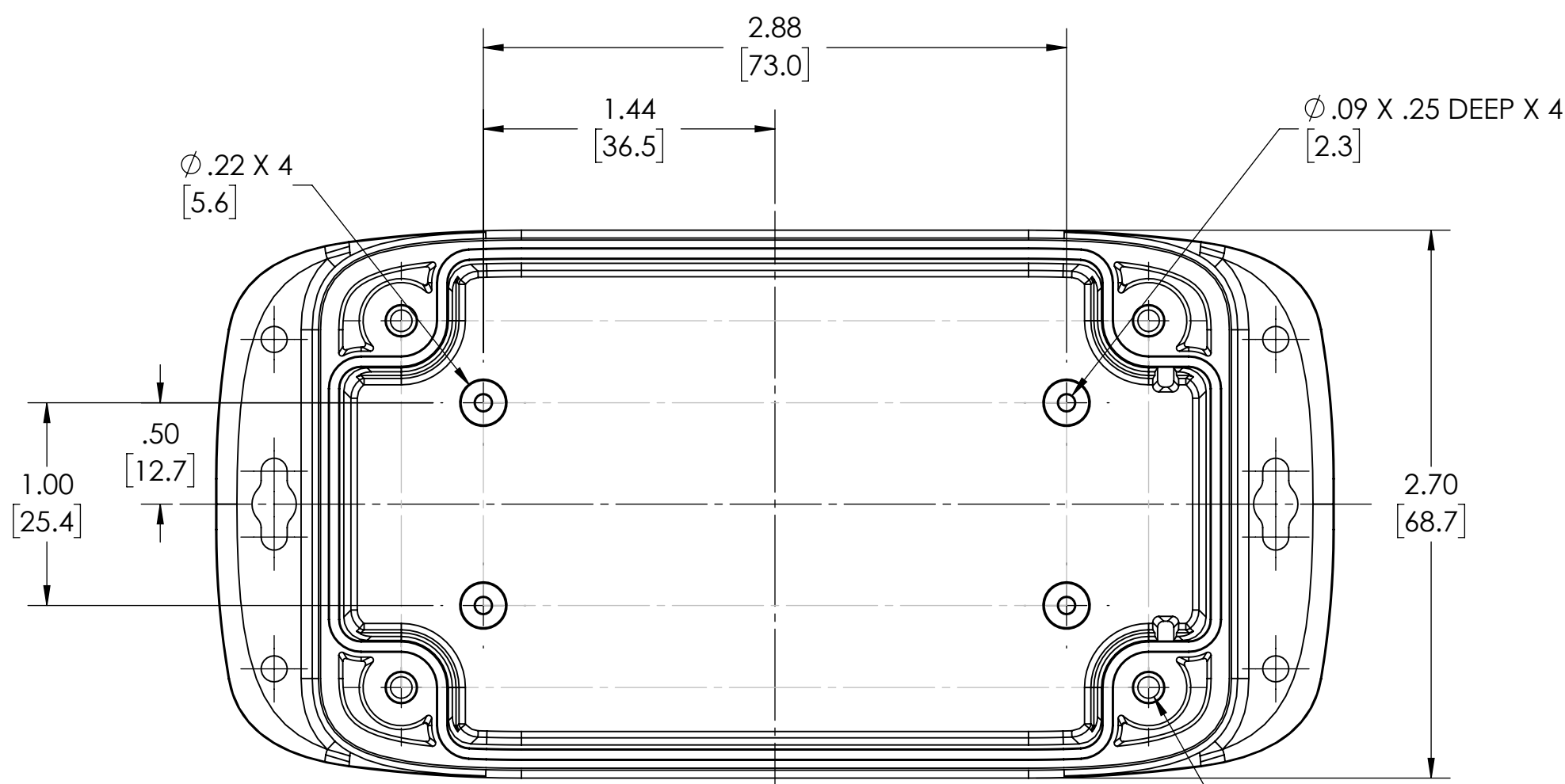
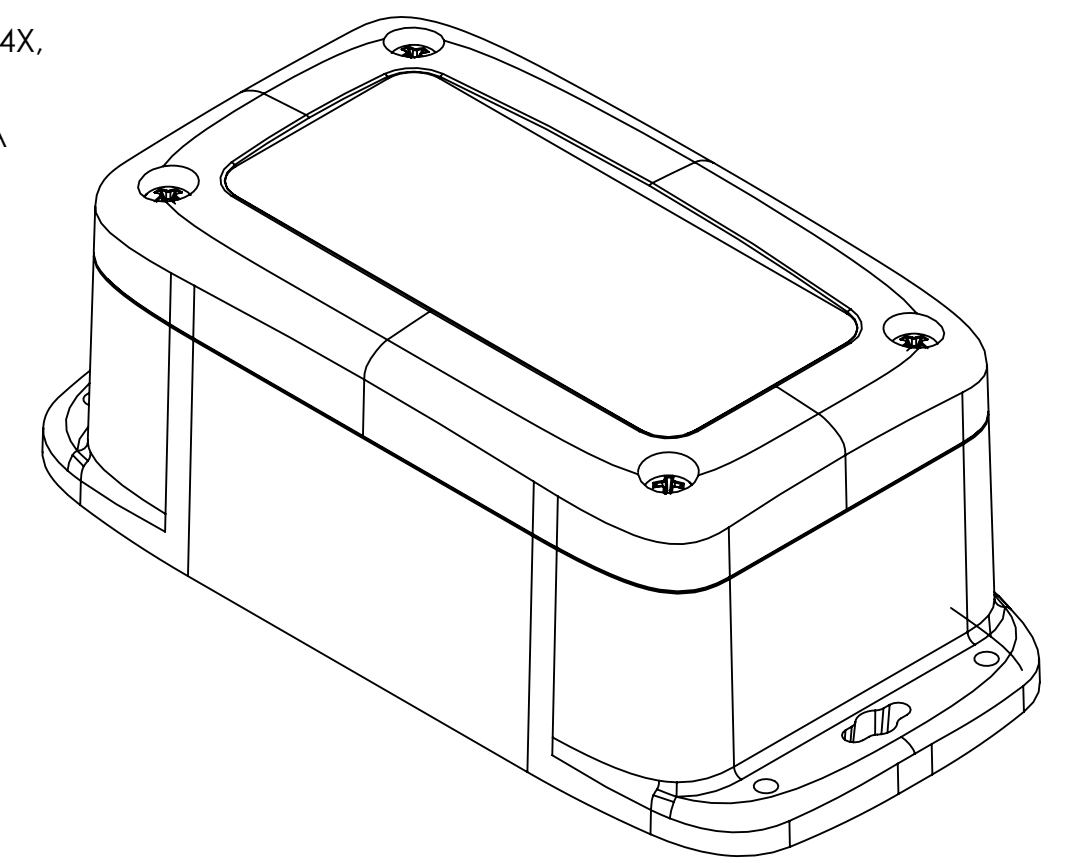


DRAWING FOR REFERENCE

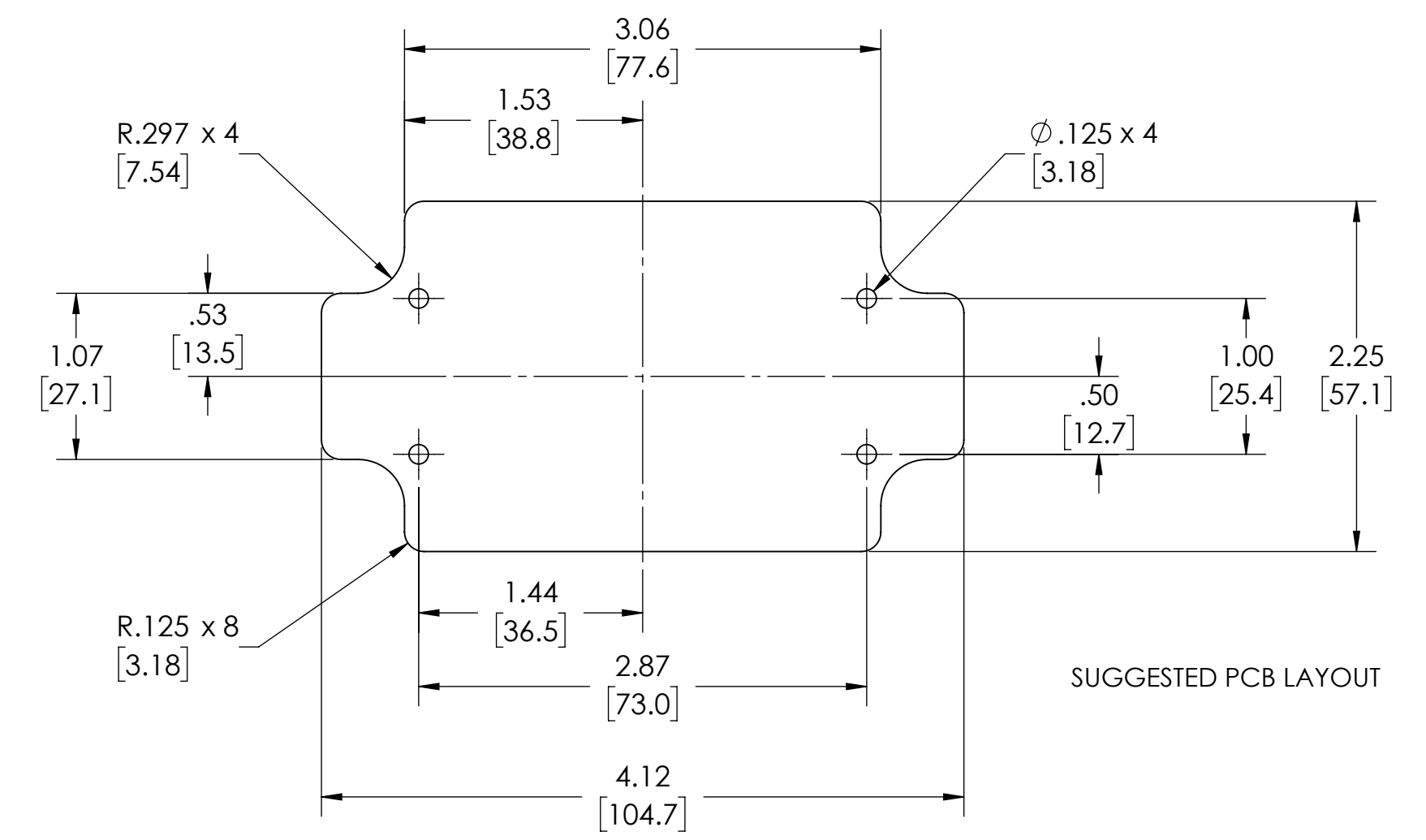
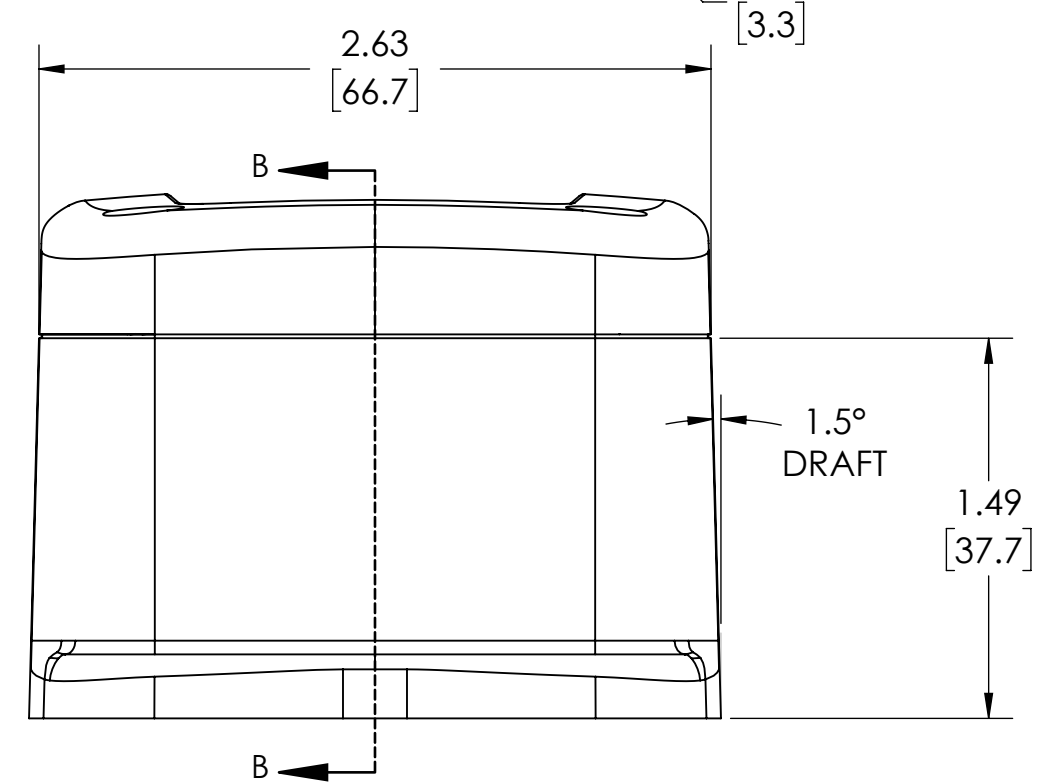
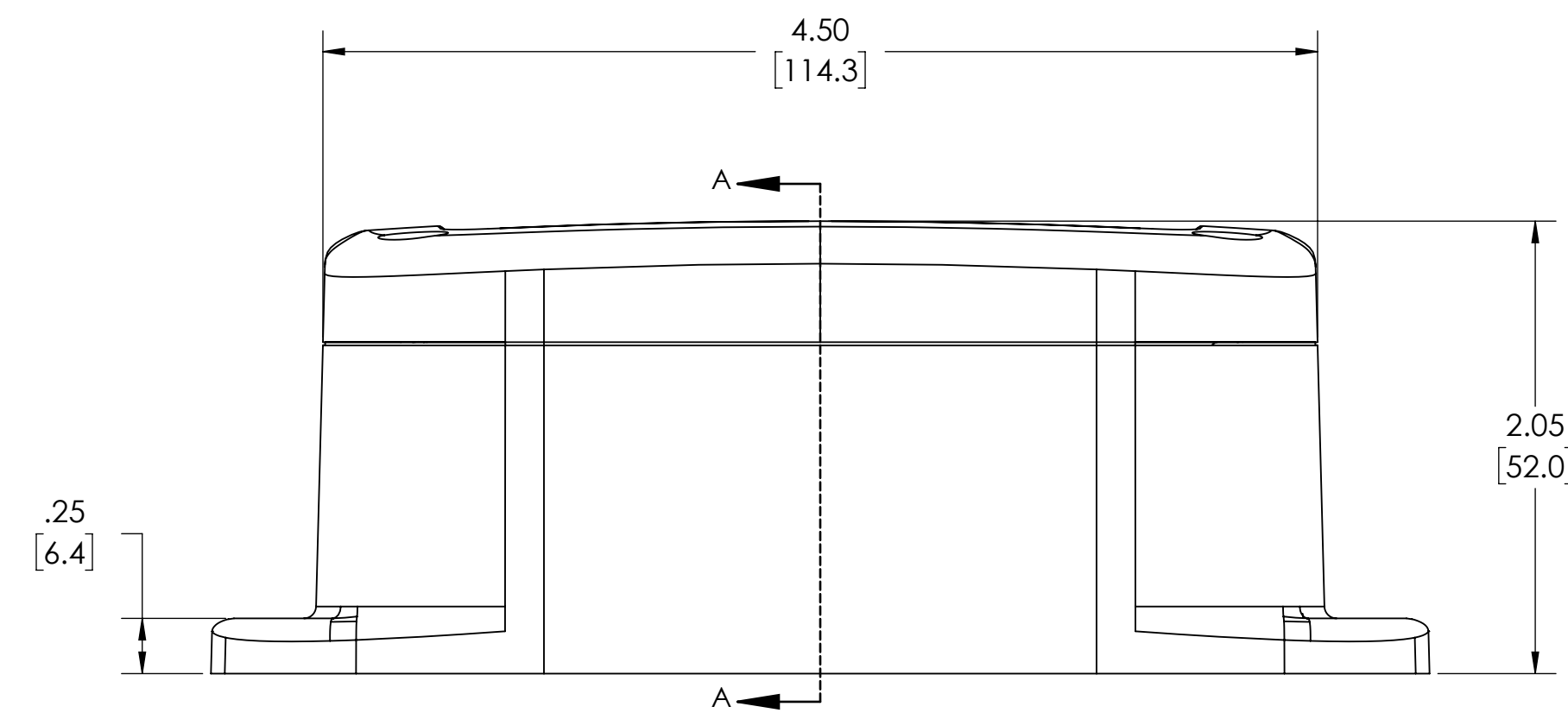
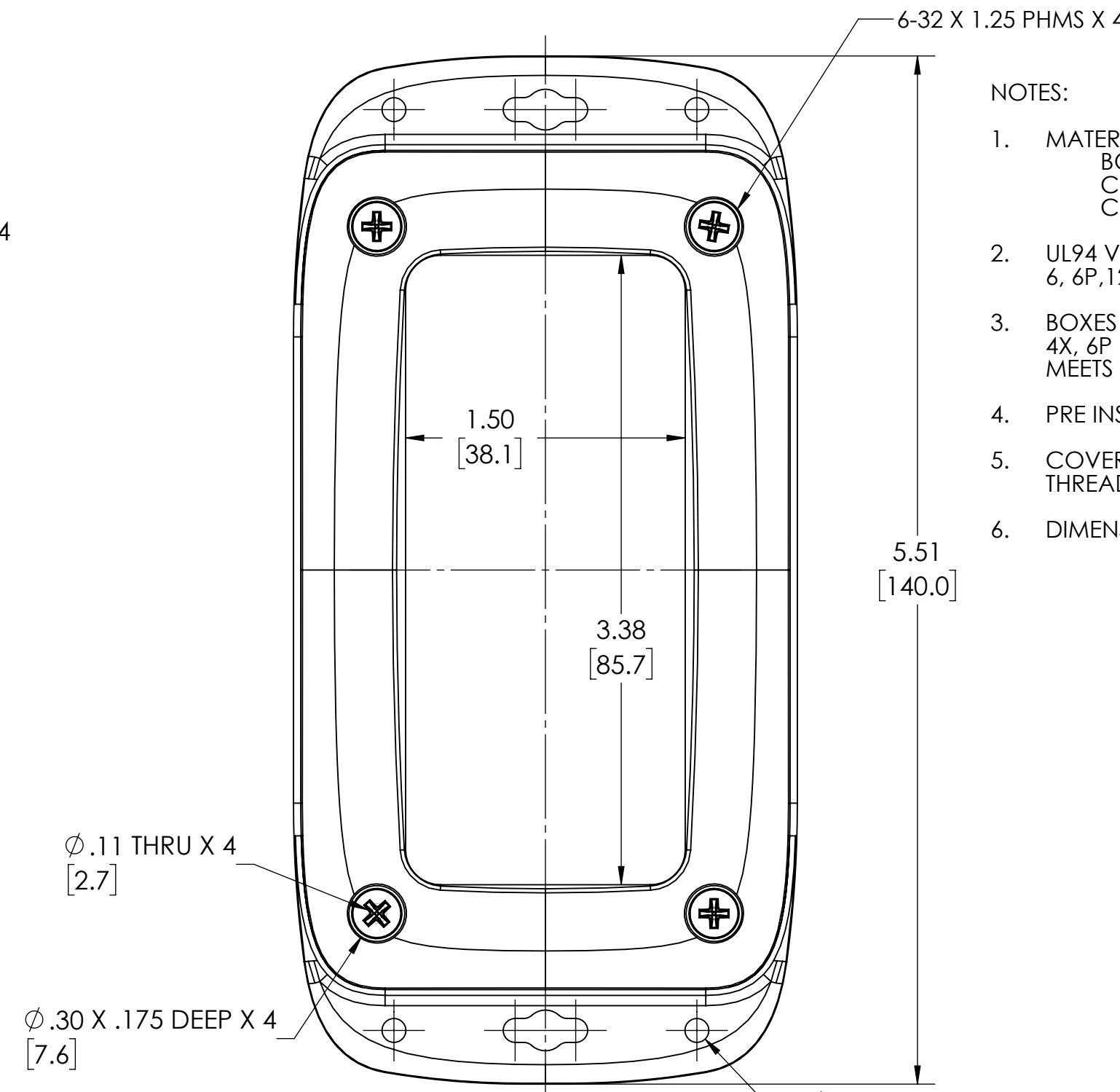
WE RESERVE THE RIGHT TO MAKE CHANGES TO OUR STANDARD PRODUCTS. PLEASE CONSULT WITH BUD INDUSTRIES PRIOR TO USING THIS DRAWING FOR DESIGN PURPOSE.

NOTES:

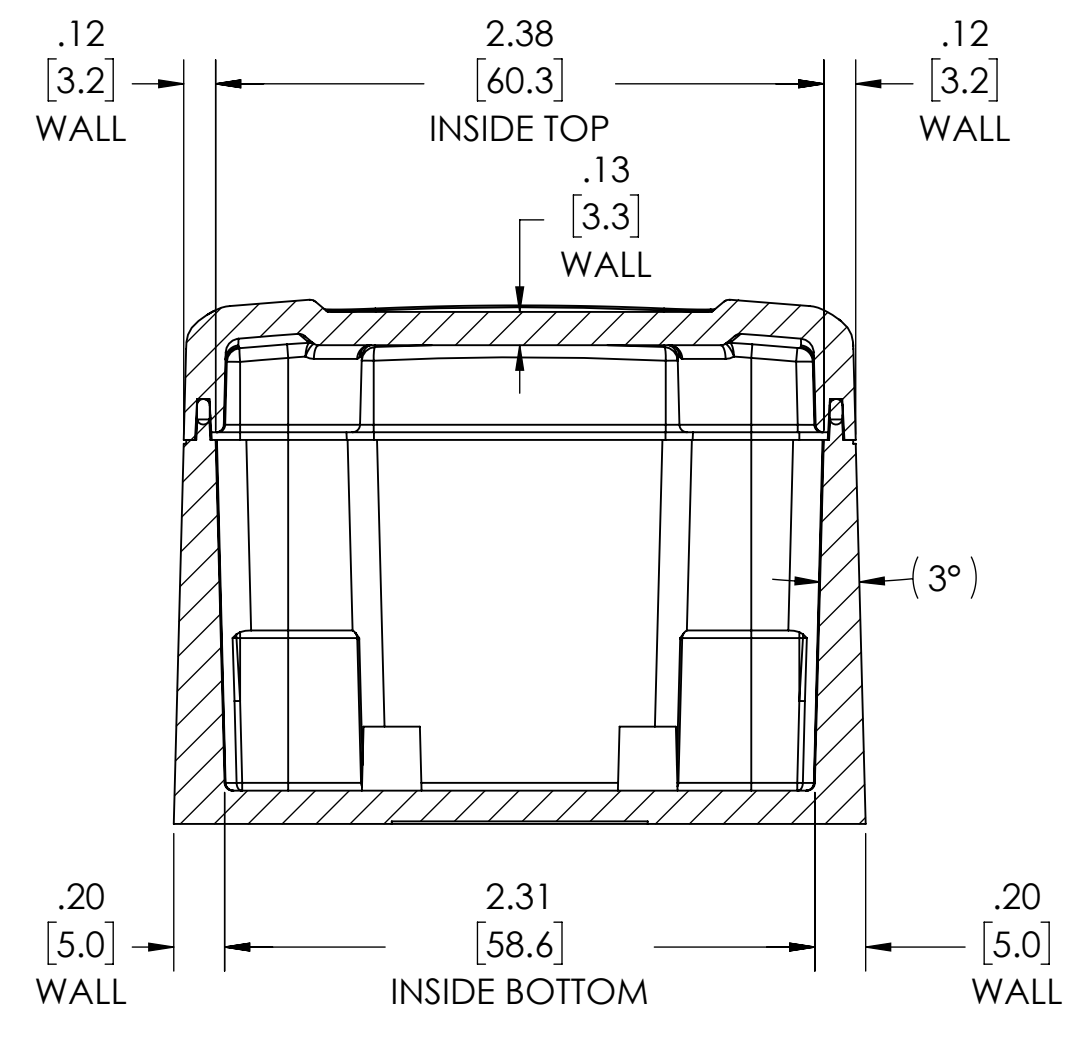
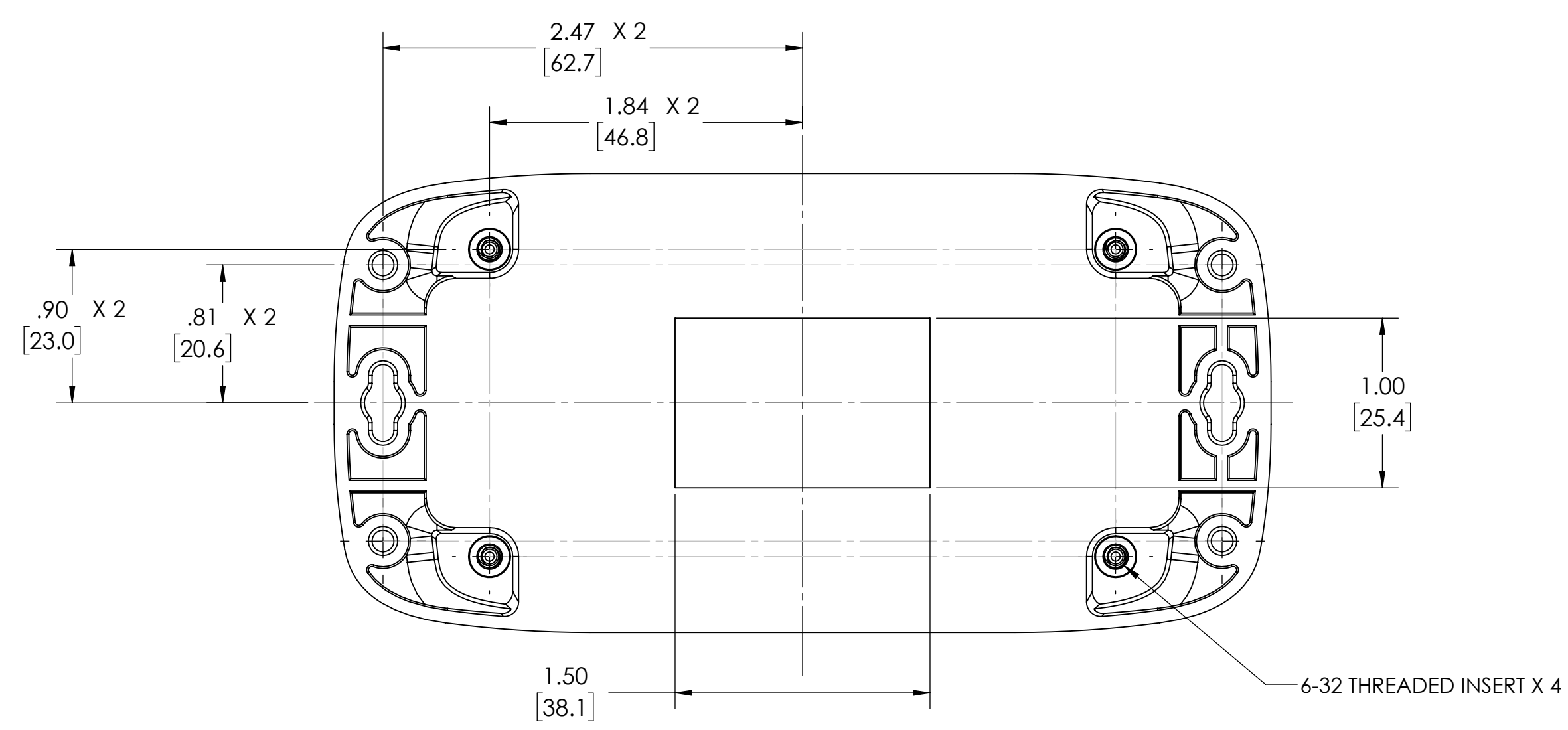
- MATERIAL:
BODY - PC LIGHT GRAY POLYCARBONATE
COVER - PC LIGHT GRAY POLYCARBONATE
CLEAR COVER (C) - PC CLEAR POLYCARBONATE
- UL94 V-0 5VA FLAMMABILITY RATING. UL 508A, TYPE 1, 2, 4, 4X, 6, 6P, 12 & 13 (E352997) UL CERT OF COMPLIANCE
- BOXES DESIGNED TO MEET FOLLOWING STANDARDS: NEMA 4X, 6P FOR INDOOR/OUTDOOR USE. MEETS IP66 & IP68 REQUIREMENTS.
- PRE INSTALLED SILICONE GASKET IN COVER
- COVER IS REMOVABLE AND ATTACHED BY 6-32 X 1.25 THREADED BRASS INSERTS ATTACHED TO THE BODY.
- DIMENSIONS ARE INCH [MM]



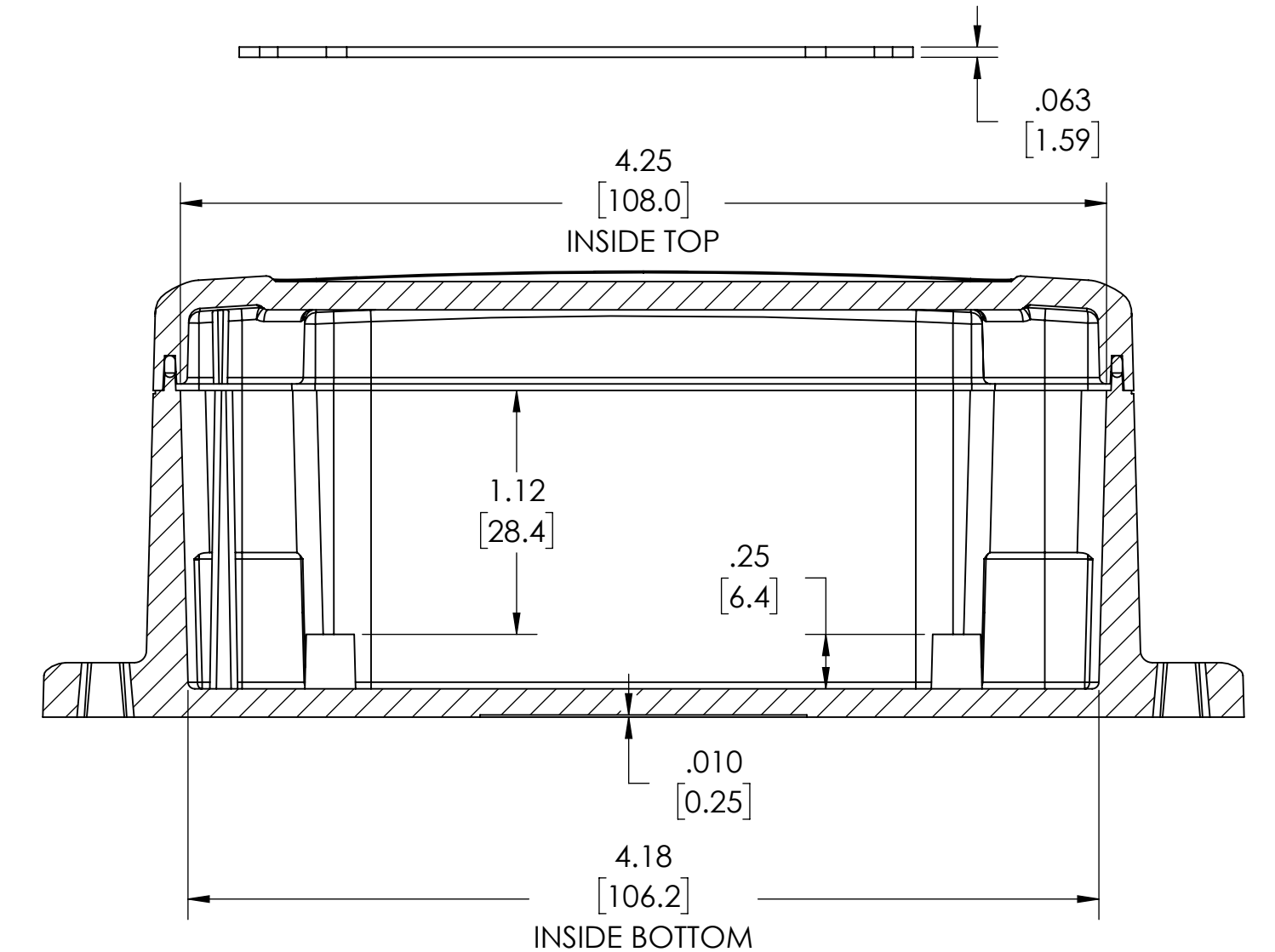
INSIDE VIEW OF BODY
COVER NOT SHOWN



SUGGESTED PCB LAYOUT



SECTION A-A
SCALE 1 : 0.75



SECTION B-B
SCALE 1 : 0.75

4	SCREWS-SS6-4	-	4-PACK: 6-32 X 1.25 PHMS			1	1
3	ML-24CG*08	-	COVER WITH GASKET	UL94V-0	CLEAR	-	1
2	ML-24CG*15	-	COVER WITH GASKET	UL94V-0	LIGHT GRAY (RAL 7035)	1	-
1	ML-24BF*15	-	BASE W/ BRASS INSERTS	UL94V-0	LIGHT GRAY (RAL 7035)	1	1
ITEM NO.	PART NO.	REV	DESCRIPTION	FLAME RATING	COLOR	ML-24F*15 /QTY	ML-24F*1508 /QTY

BOM TABLE