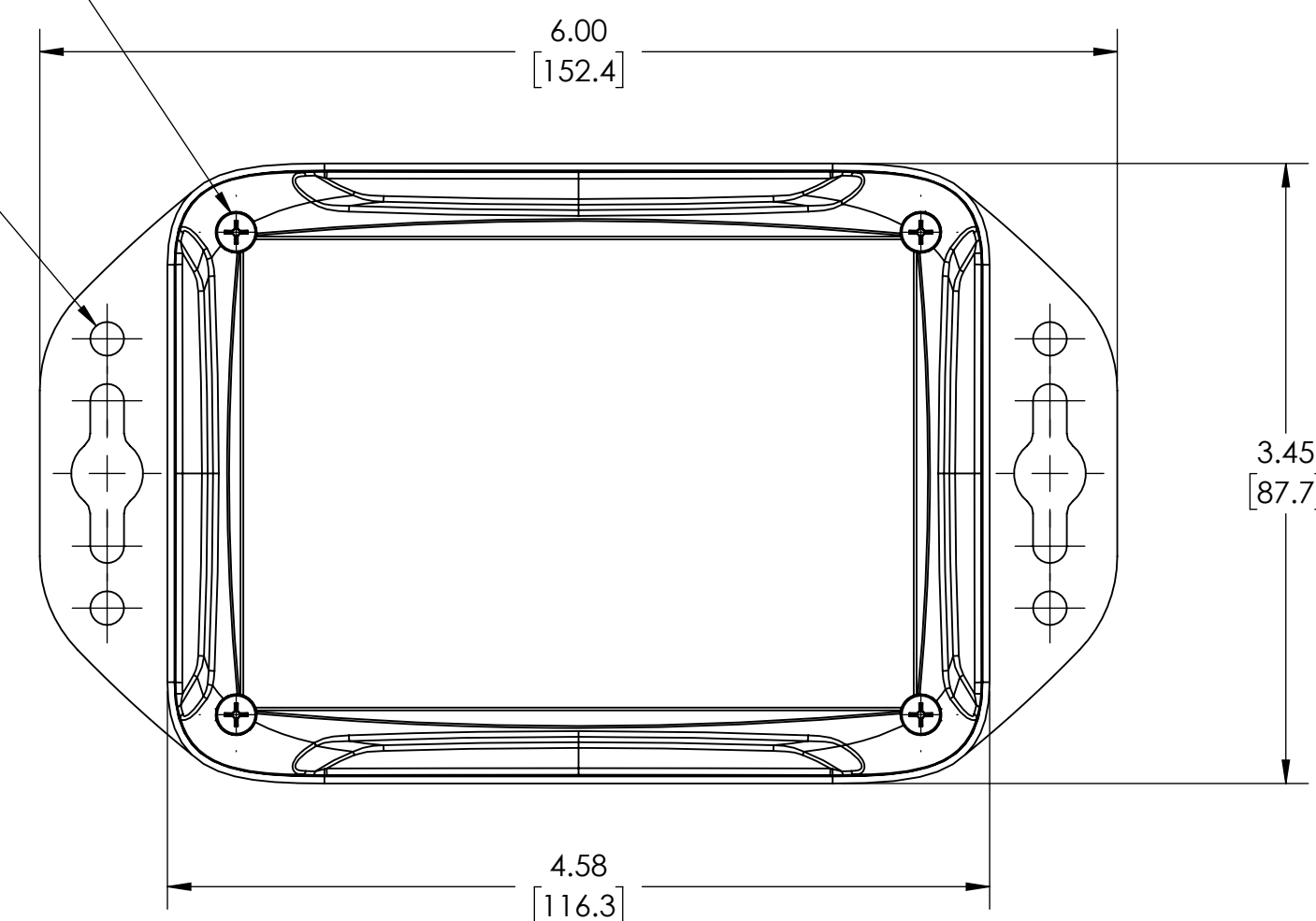


INSIDE VIEW OF BODY COVER NOT SHOWN

4-24 X .5 CROSS OVAL HEAD FORMING SCREW X 4

$\phi .19 \times 4$ [4.8]

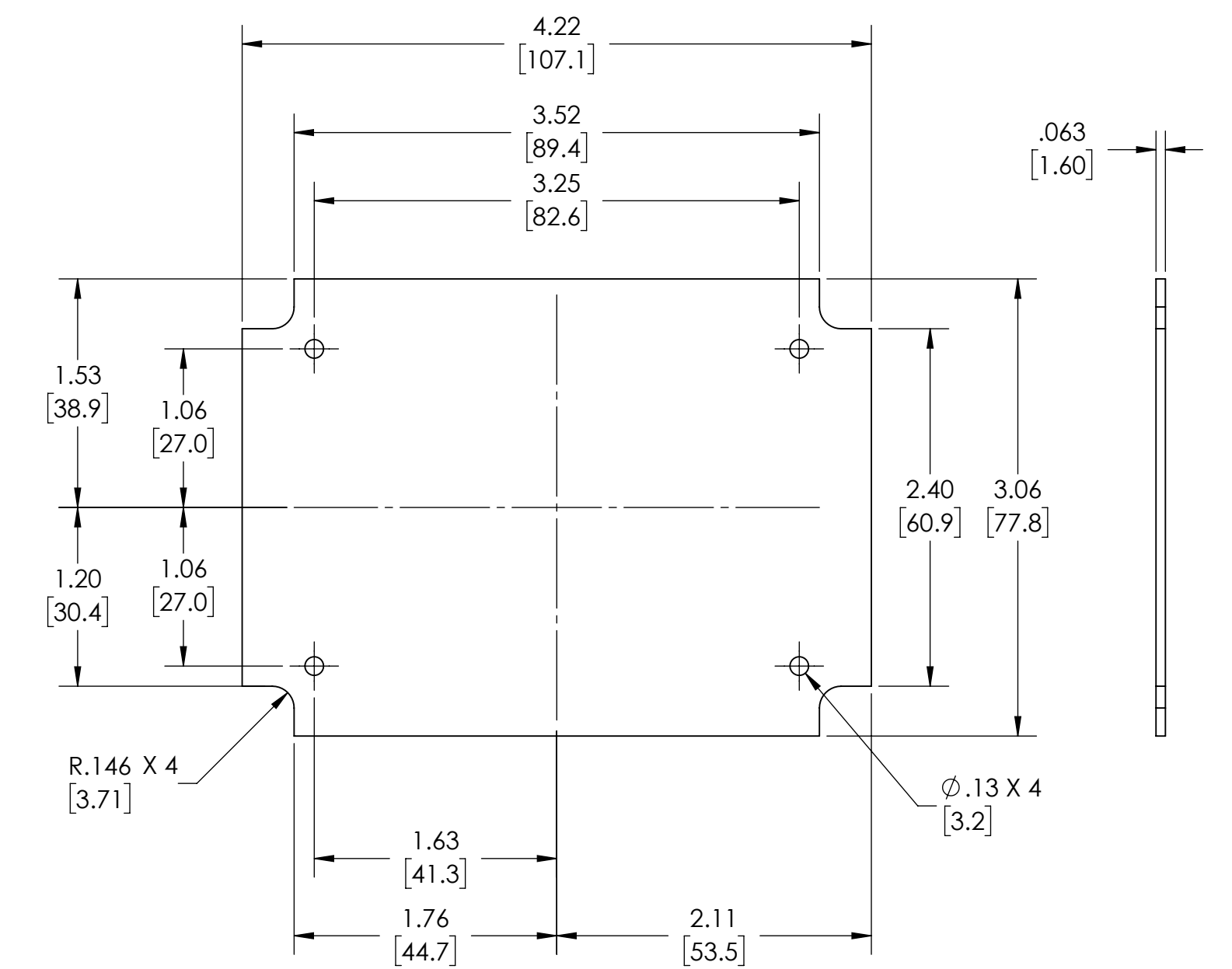
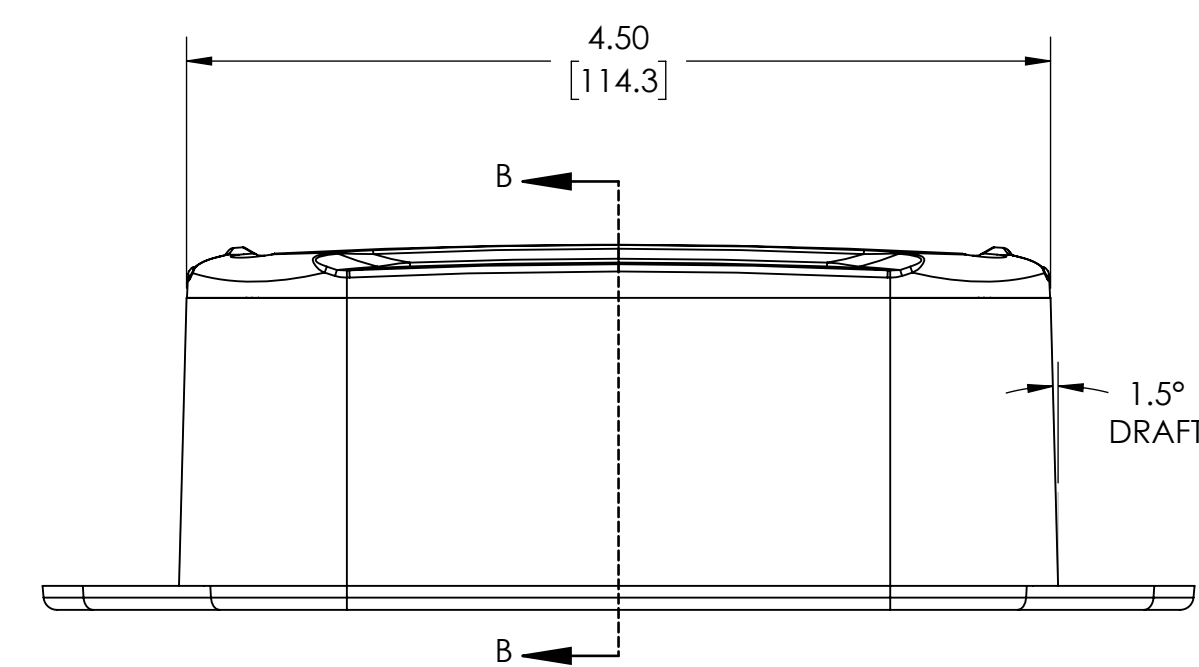
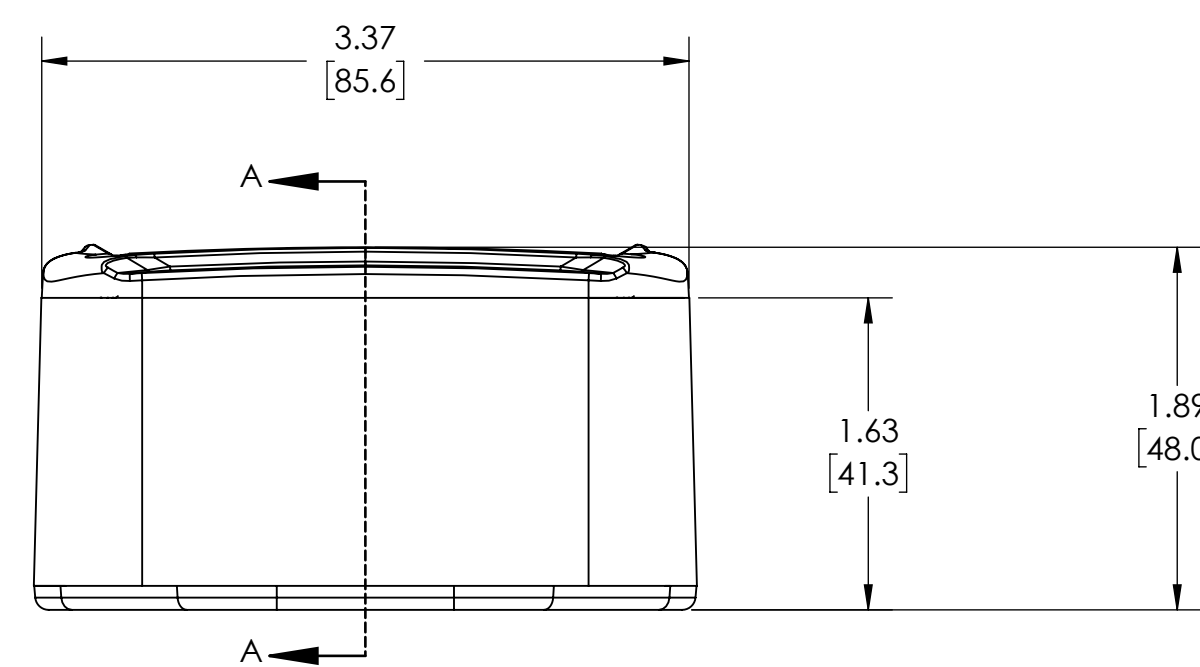


NOTES:

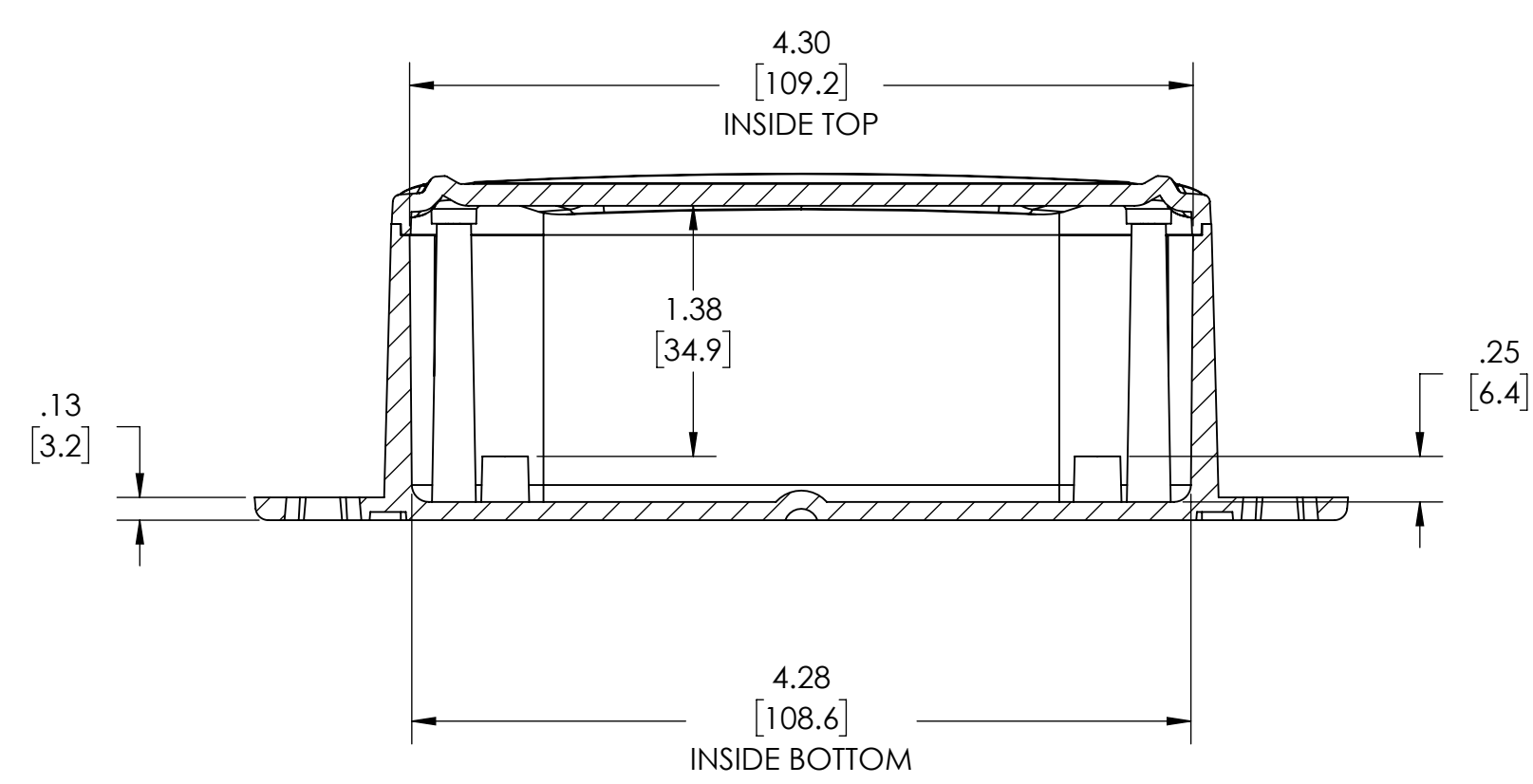
- MATERIAL:
BODY- BLACK ABS POLYAC PA-765
COVER- BLACK ABS POLYAC PA-765
TEXTURED/FLUSH OR RECESSED SMOOTH
- UL94 VO (1.5mm) AND 5VA (3mm) FLAMMABILITY RATING.
- COVER IS REMOVABLE
- DIMENSIONS ARE INCH [MM]

DRAWING FOR REFERENCE

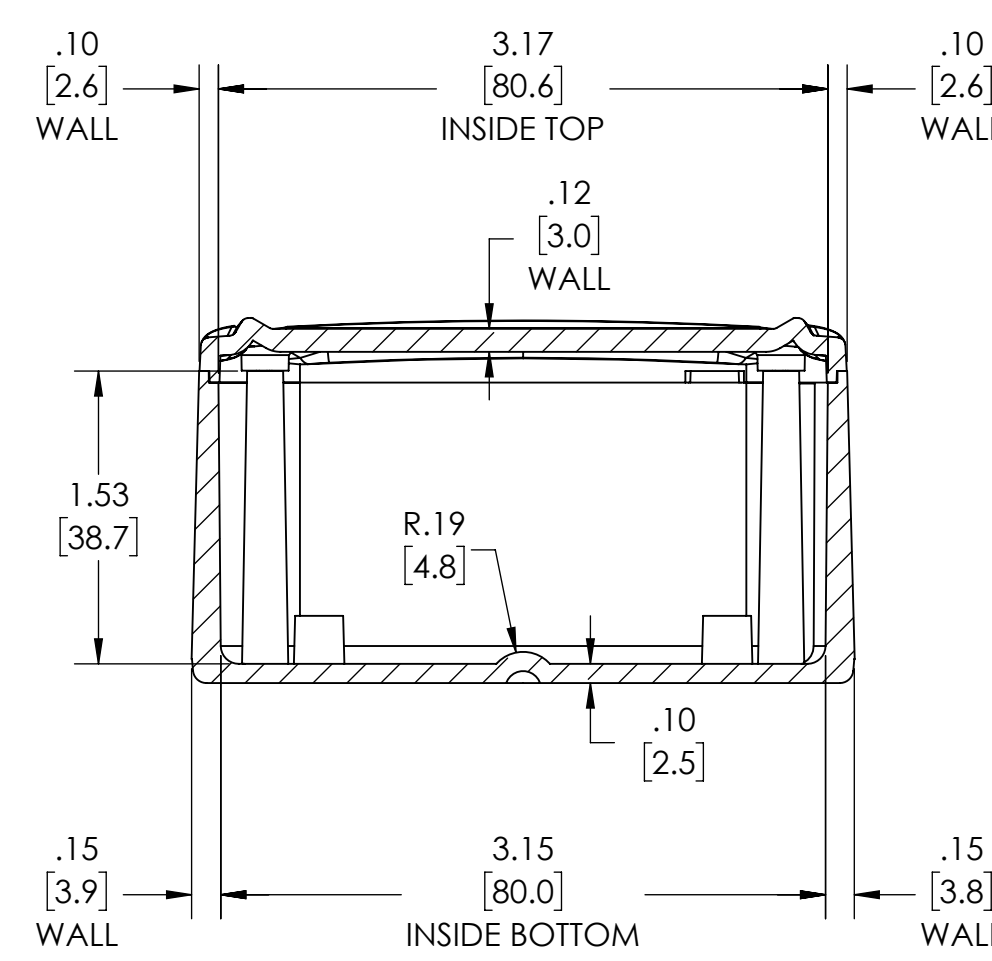
WE RESERVE THE RIGHT TO MAKE CHANGES TO OUR STANDARD PRODUCTS. PLEASE CONSULT WITH BUD INDUSTRIES PRIOR TO USING THIS DRAWING FOR DESIGN PURPOSE.



SUGGESTED PCB LAYOUT



SECTION A-A



SECTION B-B

