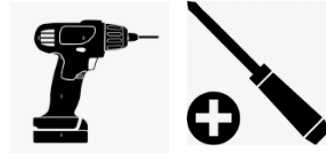
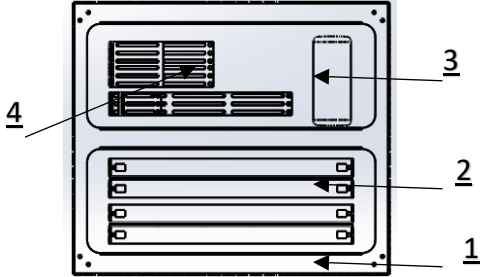


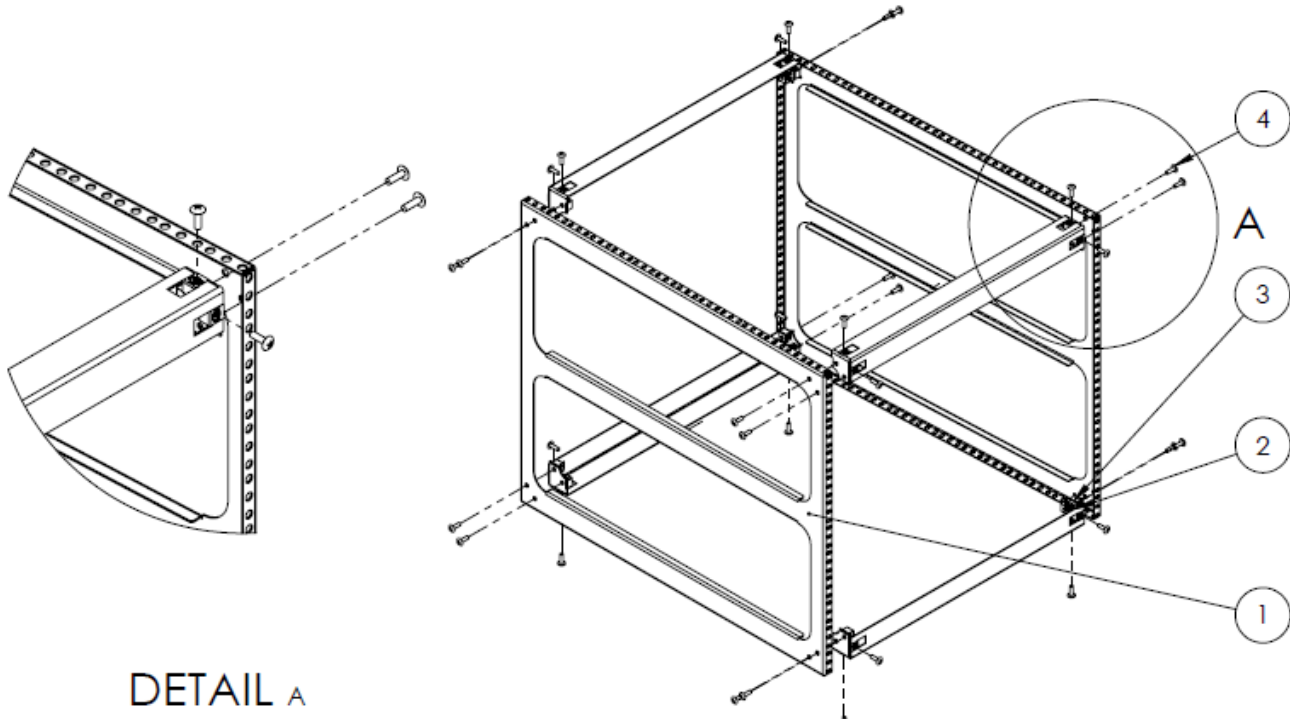
## BSR-44-BT 19" BudStackRack assembly instructions

Thank you for using this unique BUD Industries product.

Tools: #3 Philips screwdriver or power screwdriver set to 9 in\*Lb. torque (#9)



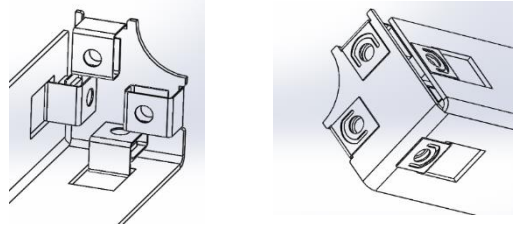
number	package content numbers and description (-BT Black Textured powder coat)	Quantity
1	<b>44-S-BT</b> SIDE PANEL (21" x 24.5")	2
2	<b>44-BM-BT</b> CROSS BEAM	4
3	<b>44-HW</b> hardware bag (64 clip nuts <b>#295</b> ; 64 screws <b>#7346</b> ; 4 Short external mounting bracket <b>44-SMB-BT</b> ; 4 Long external mounting bracket <b>44-LMB-BT</b> ; 8 internal connecting bracket <b>44-IMB-BT</b> ; 4 leveler kit 1/4"-20 X 1" <b>#TP-3416</b> )	1
4	Various accessory mounting brackets for use in installing various depth components with 4-point mounting	see listing next page



### DETAIL A

ITEM NO.	PART NUMBER	DESCRIPTION	QTY.
1	44-S-BT	SIDE PANELS	2
2	44-BM-BT	CROSS BEAM	4
3	295	CLIP NUT #10-32	32
4	7346	#10-32 screw	32

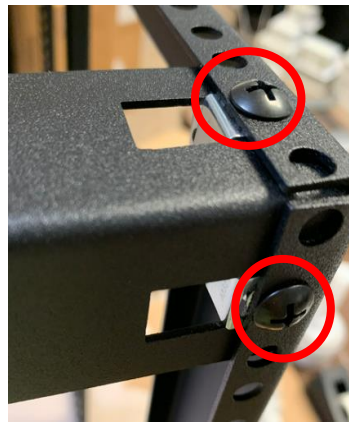
1. Install the 4 clip nuts #295 in each end of the 4 pieces of 44-BM-BT cross beam (8 per beam):  
 Note: Start with the clips in the cutout on the long faces, slightly open the clip nut while installing and be sure the thick part of the clip nut is on the inside as shown in the drawing below



2. Stand the side panel 44-S-BT up and use the screws #7346 to attach the first cross beam 44-BM-BT to the side panel using the side holes and not the mounting flange holes. See photo 1. Note that the ends of the cross beam are not square, so you need to be sure the holes align properly on both sides. If not, flip the cross beam. Repeat with all 4 cross beams. Do not fully tighten the screws until the end of the installation.
3. Continue to attach the cross beam 44-BM-BT by installing the screws #7346 to the mounting holes in the side panel 44-S-BT flange as shown in photo 2.
4. Flip the unit so the legs are pointing into the air. Repeat steps 2 and 3 above for that side
5. Tighten all screws
6. Install the 4 levelers on the side you determine to be your base as shown in photo 3.



1



2



3

**INCLUDED ACCESSORIES:**

		Qty
1	44-1U-1-BT 14"X 1.75" equipment accessory bracket	4
2	44-1U-2-BT 3"X 1.75" equipment accessory bracket	8
3	44-2U-1-BT 4"X 3.5" equipment accessory bracket	2
4	44-2U-2-BT 8"X 3.5" equipment accessory bracket	2
5	44-2U-3-BT 8"X 3.5" flat equipment accessory bracket	2

