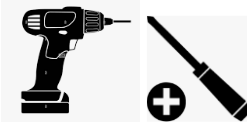


Stacking Multiple BSR-44-BT Racks

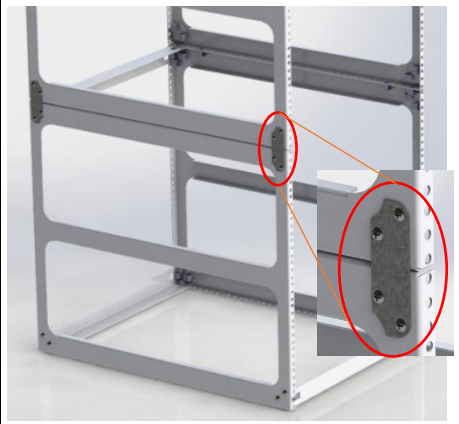
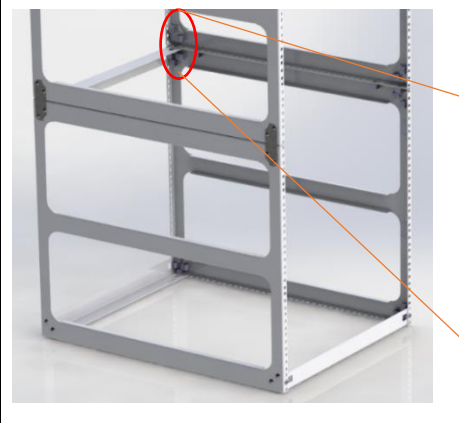
Tools: #3 Philips screwdriver or power screwdriver set to 9 in*Lb. torque (#9)





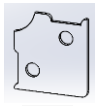
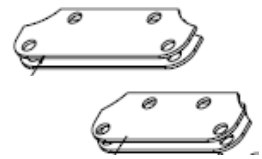
Prior to stacking, each unit should be completely assembled

The following process should be repeated for every new level added to the stack

<p><u>1</u></p>		<p>Determine which panel space height you need for each Basic unit BSR-44-BT. To prepare for stacking remove the 4 top screws from the bottom unit and the 4 bottom screws from the stacked unit.</p> <div style="border: 1px solid black; padding: 5px; margin-top: 10px;"> <p>Note: all stacked units must be the same panel height.</p> </div>												
<p><u>2</u></p>		<p>Place the 2 BSR-44-BT basic units on top of each other and attach them together using 4 screws # 7346 and 4 clip nuts #295 on the fourth hole (4) from each corner along the mating flanges of the side panels 44-S-BT.</p> <div style="border: 1px solid black; padding: 5px; margin-top: 10px;"> <p>Note: you may need a hand #3 Philips screw driver. The brackets installed in step 4 below will insure stability</p> </div>												
<p><u>3</u></p>	<p>☑ = minimum required cross beams</p>	<p>As an option, if you would like the maximum panel space, you can remove the front cross Beams 44-BM-BT except for numbers 1 and 12 in drawing at left. You can also remove either numbers 10 or 7 and numbers 6 or 3.</p> <div style="border: 1px solid black; padding: 5px; margin-top: 10px;"> <p>Note: At least one cross beam 44-BM-BT at each level must remain in the rear.</p> </div> <table border="1" style="width: 100%; border-collapse: collapse; margin-top: 10px;"> <thead> <tr> <th style="text-align: center;">Number of Basic units</th> <th style="text-align: center;">Keep cross beam number</th> <th style="text-align: center;">optional cross beam number</th> </tr> </thead> <tbody> <tr> <td style="text-align: center;">1</td> <td style="text-align: center;">1,2,3,4</td> <td></td> </tr> <tr> <td style="text-align: center;">2</td> <td style="text-align: center;">1,2,7,8, (3 or 6)</td> <td style="text-align: center;">4,5,(3 or 6)</td> </tr> <tr> <td style="text-align: center;">3</td> <td style="text-align: center;">1,2,11,12, (3,7 or 6,10)</td> <td style="text-align: center;">4,5,8,9, (3,7 or 6,10)</td> </tr> </tbody> </table>	Number of Basic units	Keep cross beam number	optional cross beam number	1	1,2,3,4		2	1,2,7,8, (3 or 6)	4,5,(3 or 6)	3	1,2,11,12, (3,7 or 6,10)	4,5,8,9, (3,7 or 6,10)
Number of Basic units	Keep cross beam number	optional cross beam number												
1	1,2,3,4													
2	1,2,7,8, (3 or 6)	4,5,(3 or 6)												
3	1,2,11,12, (3,7 or 6,10)	4,5,8,9, (3,7 or 6,10)												

<p>4</p>		<p>If using the rack in the horizontal position (17.5"/ 10 U) add mounting brackets 44-LMB-BT on the outside of the side panels near every corner where 2 side panels rest on top of each other (see photo left). If using the rack in the vertical position (21.0"/12 U) add the shorter mounting brackets 44-SMB-BT. See step 5 for final install information</p> <div style="border: 1px solid black; padding: 5px; margin-top: 10px;"> <p>Note: For the rear holes, you will need to remove the side screws to attach the outside bracket but you will not need to use the internal bracket 44-IMB-BT. Reuse those same screws</p> </div>
<p>5</p>		<p>On the inside of rack, you will attach an internal connecting bracket 44-IMB-BT on the inside front to mate with the brackets used above.</p> <div style="border: 1px solid black; padding: 5px; margin-top: 10px;"> <p>Note: you will need to use an internal bracket 44-IMB -BT anywhere a cross beam 44-BM-BT is missing.</p> </div>

The above process should be repeated for every new level added to the stack the number of recommended connecting parts is listed below:

<p>Number of Basic units BSR-44-BT</p> 	<p>cross-beams 44-BM-BT</p>  <p>+ 8 Clip nut #295</p>	<p>internal brackets 44-IBM-BT</p>  <p>+ 2 Clip nut #295</p>	<p>external brackets (Long 44-LBM-BT for 10 U or short 44-SBM-BT for 12 U)</p> 
<p>1^^</p>	<p>4</p>	<p>0</p>	<p>0</p>
<p>2^^</p>	<p>5-6</p>	<p>4-6</p>	<p>4</p>
<p>3^^</p>	<p>6-8</p>	<p>8-12</p>	<p>8</p>

^^max equipment weight is 300 lb. for any single column