

PART  
NAME

# HINGED INTERNAL MOUNTING PANEL

PART  
No.

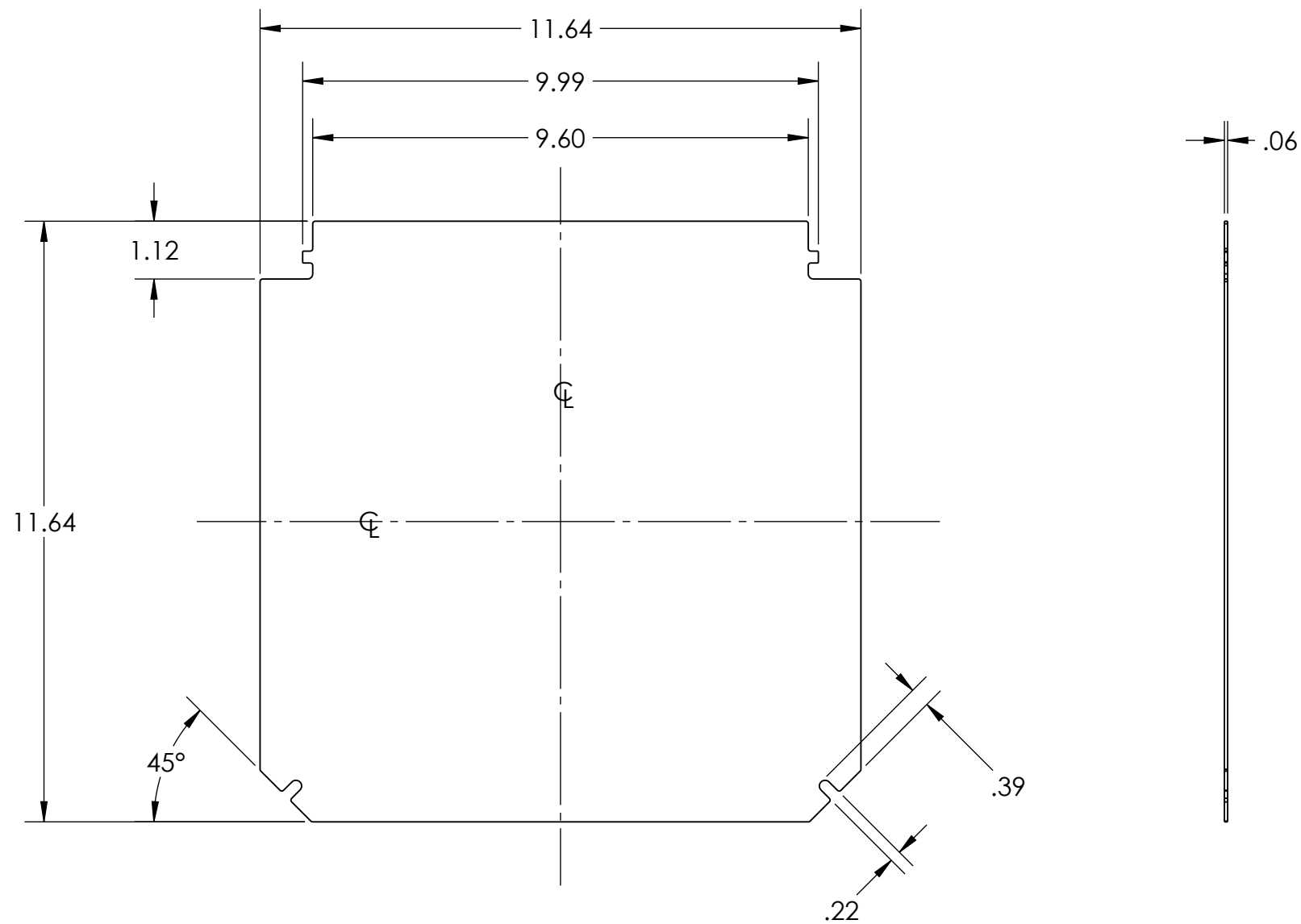
DPX-287282

REV.  
DATE

2/17/23

## MATERIAL:

1. ALUMINUM (.06 THK.) (1.524mm THK.)
2. ALL DIMENSION HAVE A  $\pm .015$  TOLERANCE UNLESS OTHERWISE SPECIFIED
3. FITS DPH-28728, DPS-28728
4. SUPPLIED WITH DPX-444 KIT (INCLUDES 4-#10-32 X.25" MACHINE SCREWS)



**DRAWING FOR REFERENCE**  
WE RESERVE THE RIGHT TO MAKE CHANGES TO OUR  
STANDARD PRODUCTS. PLEASE CONSULT WITH BUD INDUSTRIES  
PRIOR TO USING THIS DRAWING FOR DESIGN PURPOSE.