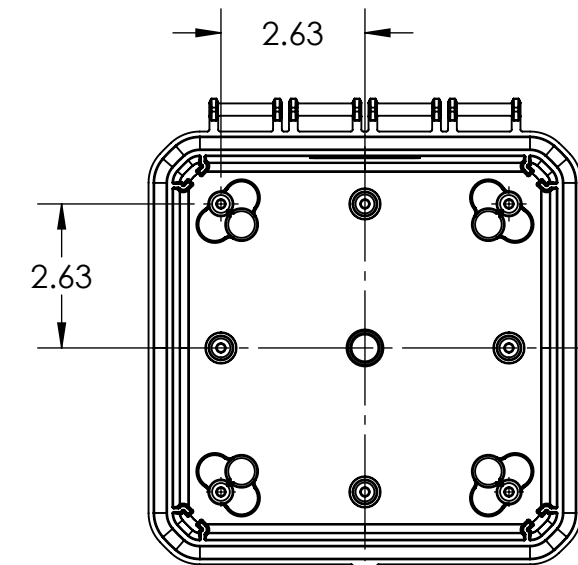
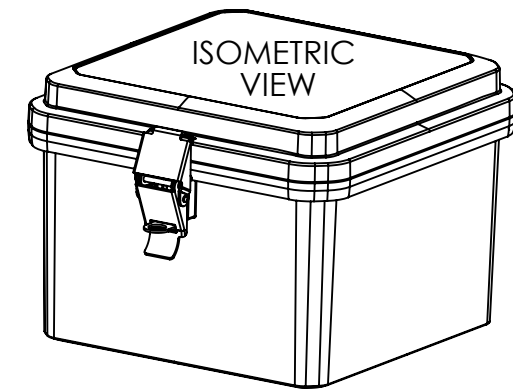
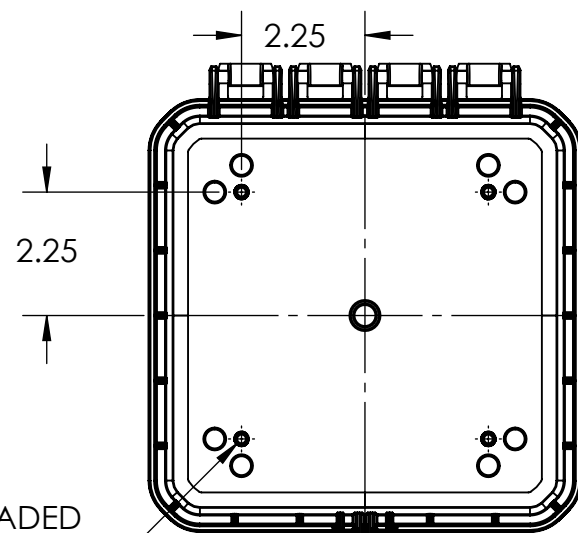
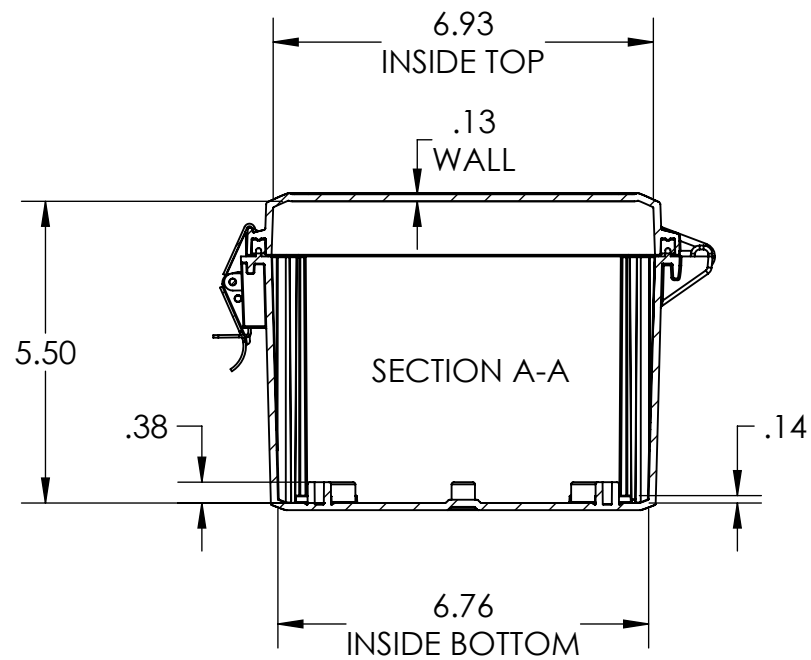


NOTES:

1. MATERIAL AND FLAMMABILITY RATING.
BODY/COVER (K) - PC BLACK POLYCARBONATE - UL94-5VA
2. FOLLOW ENCLOSED INSTRUCTION FOR UL COMPLIANCE.: BOXES UL LISTED NEMA TYPE 1, 2, 3, 3R, 3RX, 3S, 3SX, 3X, 4, 4X, 5, 12, 13. DESIGNED MEETS IP65, IP66 REQUIREMENTS. UV RESISTANT FOR OUTDOOR USE.
3. OPERATING TEMPERATURE IS -35 TO 110C.
4. PRE-INSTALLED SILICONE GASKET IN COVER
5. BOX COMES WITH
 - 4 UNINSTALLED MOUNTING BRACKETS
 - HARDWARE : 4 SCREWS & 1 LATCH
6. OPTIONAL ACCESSORIES:
 - HINGE AND PANEL SUSPENSION KIT (DPX-444KIT)
 - 4" FLANGE KIT (2 FLANGES + 4 SCREWS) (DPX-424KIT)
 - BASE INTERNAL MOUNTING PANEL (HPX-38215-1)
 - HINGED INTERNAL MOUNTING PANEL (HPX-38215-2)
 - SUSPENSION INTERNAL MOUNTING PANEL (HPX-38215-3)
7. DIMENSIONS ARE INCH



INSIDE VIEW OF BODY WITH COVER REMOVED



BOTTOM VIEW

10-32 THREADED INSERTS X 4

DRAWING FOR REFERENCE

WE RESERVE THE RIGHT TO MAKE CHANGES TO OUR STANDARD PRODUCTS. PLEASE CONSULT WITH BUD INDUSTRIES PRIOR TO USING THIS DRAWING FOR DESIGN PURPOSE.