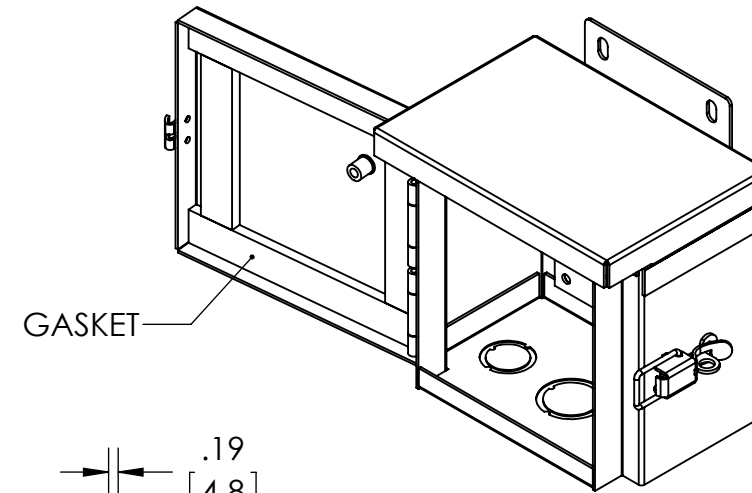
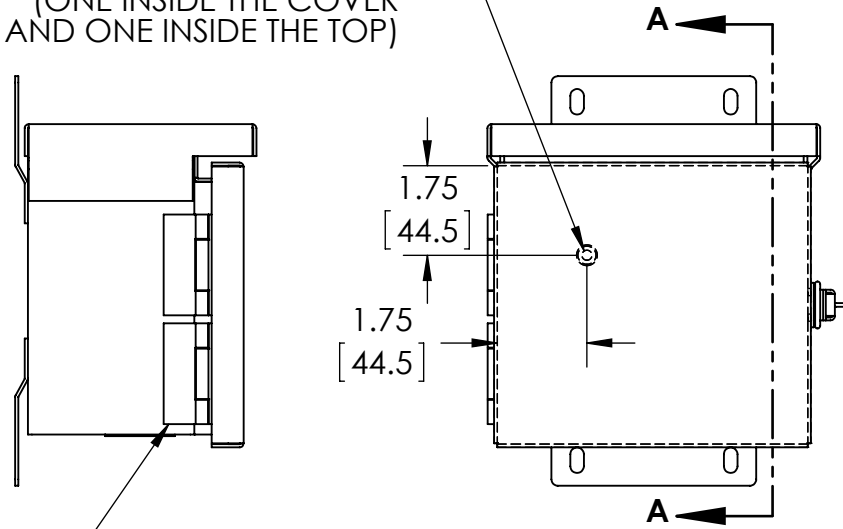


TOP VIEW

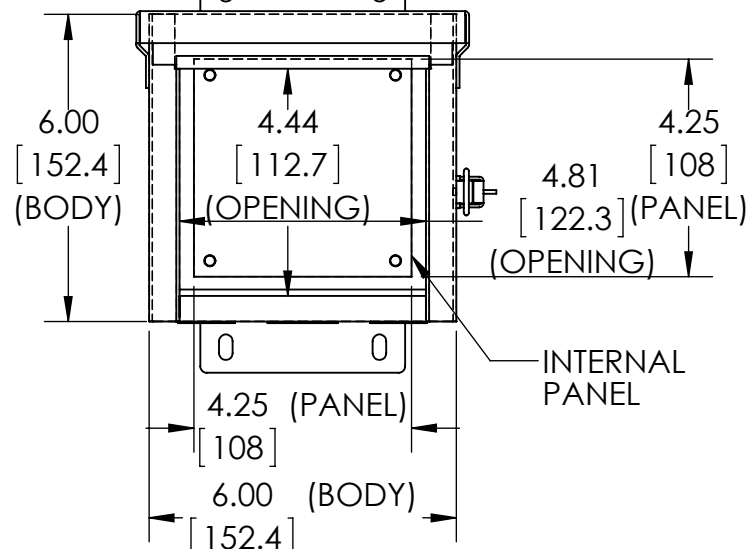


WELD STANDOFF  
M5x0.8 x 10mm LG.  
FOR GROUNDING (2) PL'S.  
(ONE INSIDE THE COVER  
AND ONE INSIDE THE TOP)



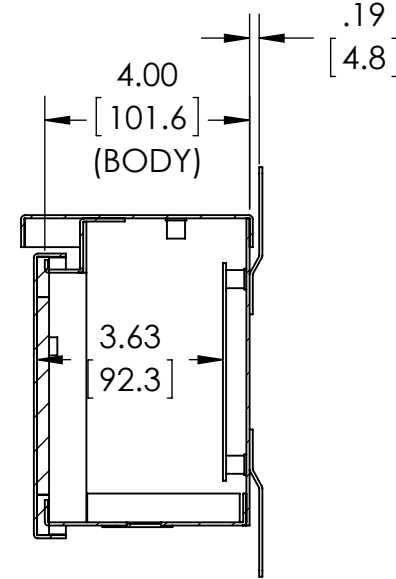
FRONT VIEW

HINGES ARE WELDED  
TO BODY & COVER

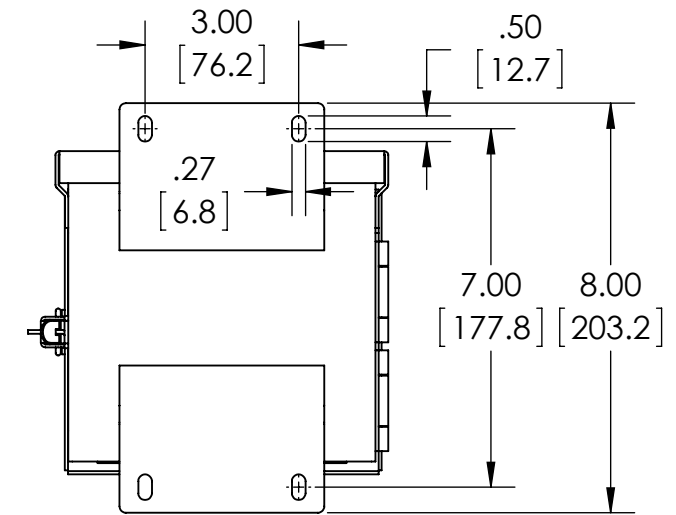
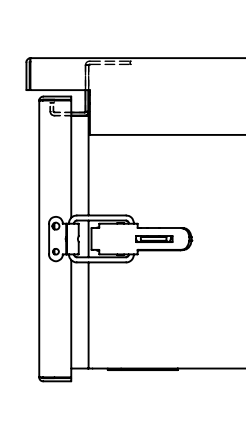


FRONT VIEW  
(LESS COVER)

INTERNAL  
PANEL

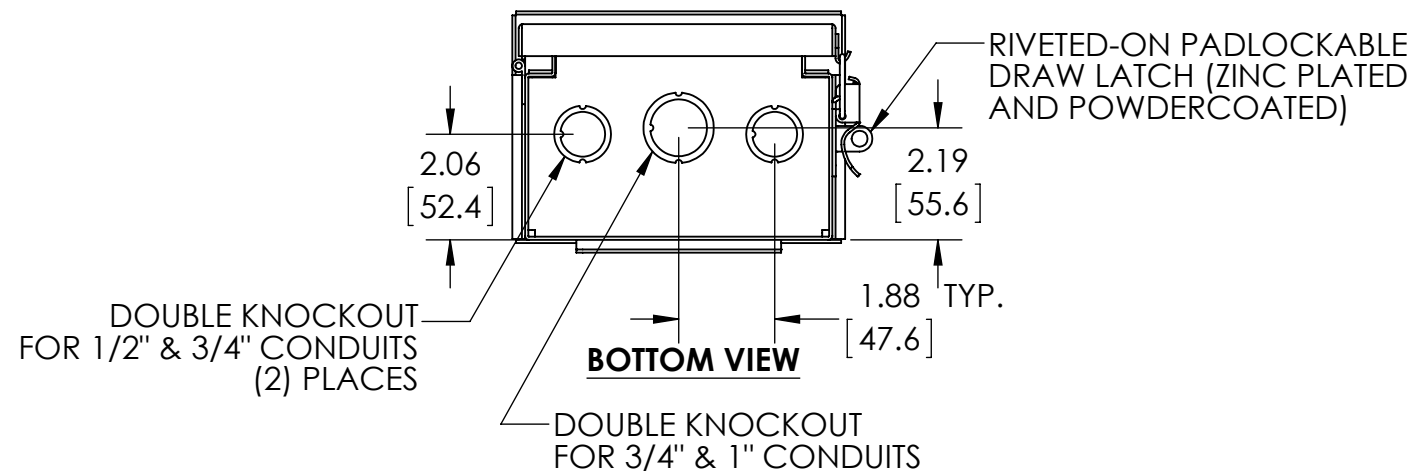


SECTION A-A



BACK VIEW

WELDED-ON  
MOUNTING BRACKET



BOTTOM VIEW

RIVETED-ON PADLOCKABLE  
DRAW LATCH (ZINC PLATED  
AND POWDERCOATED)

DOUBLE KNOCKOUT  
FOR 1/2" & 3/4" CONDUITS  
(2) PLACES

DOUBLE KNOCKOUT  
FOR 3/4" & 1" CONDUITS

MATERIAL:  
BOX - T6 GA. GALVANIZED STEEL  
PANEL - 16 GA. C.R.S.

FINISH:  
BOX - ASA-70 LIGHT GRAY SMOOTH POWDERCOAT  
PANEL - ZINC PLATED

SPOTWELDED CONSTRUCTION

GASKET - 6mm THICK BLACK NEOPRENE

COMPLIES WITH NEMA AND UL 50 TYPE 3R RATING

DIMENSIONS IN INCH[MILLIMETER]

DRAWING FOR REFERENCE