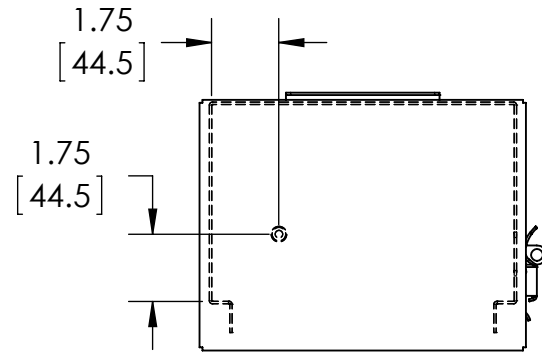
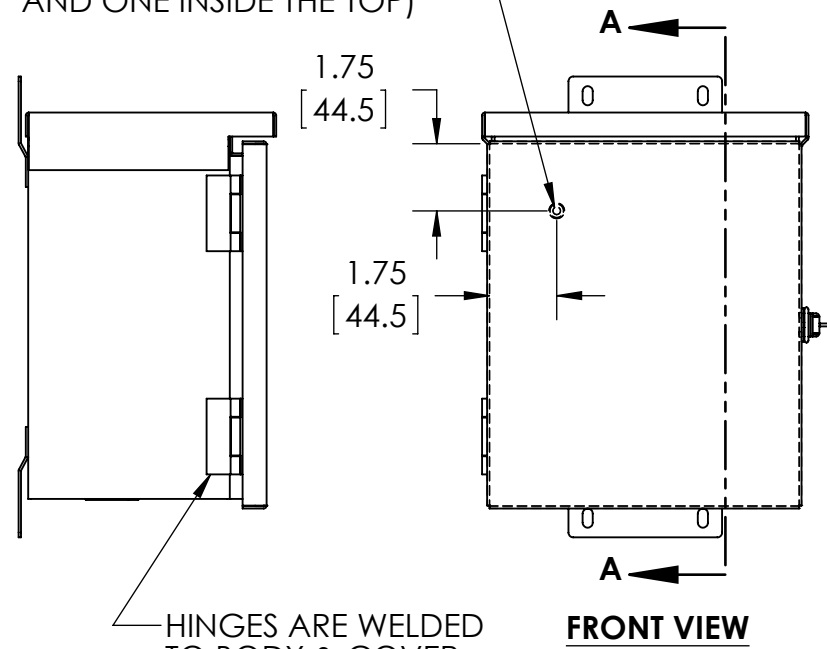
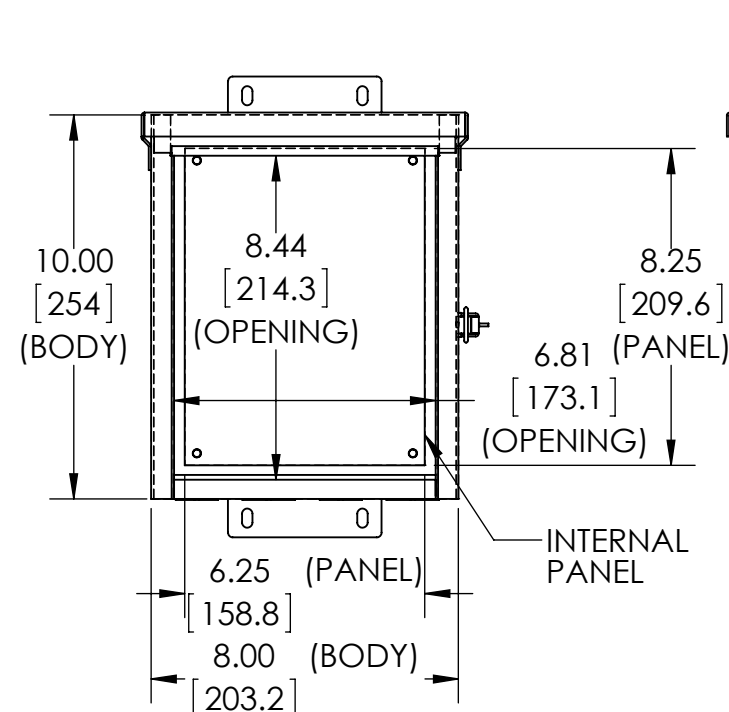


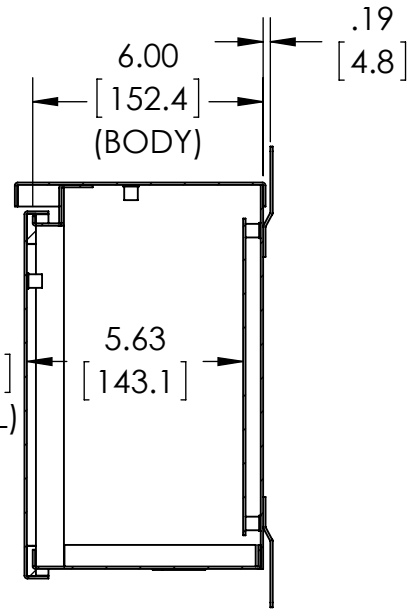
WELD STANDOFF  
M5x0.8 x 10mm LG.  
FOR GROUNDING (2) PL'S.  
(ONE INSIDE THE COVER  
AND ONE INSIDE THE TOP)



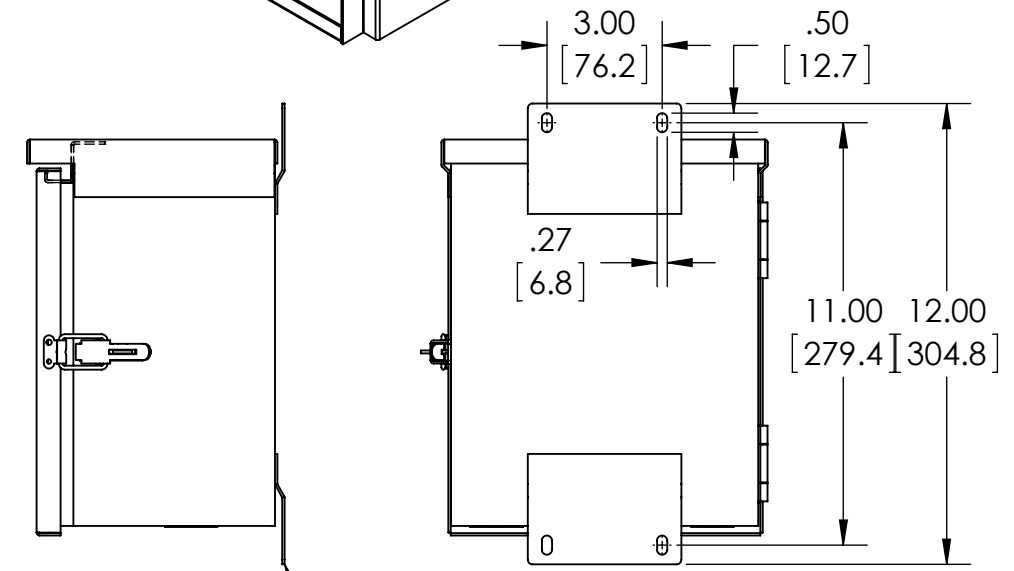
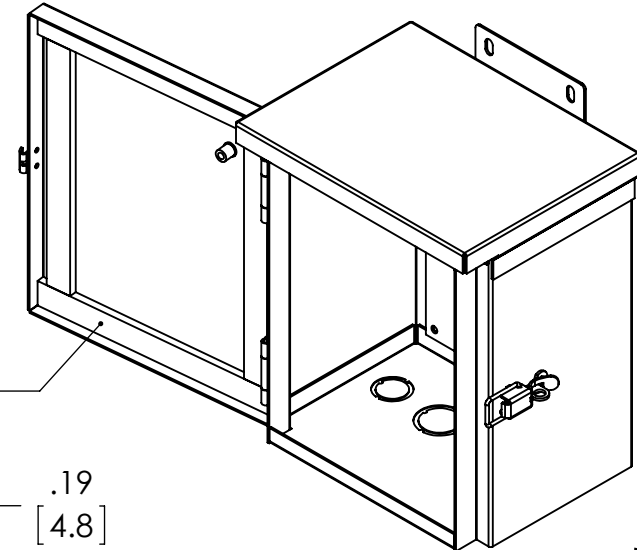
**TOP VIEW**



**FRONT VIEW (LESS COVER)**

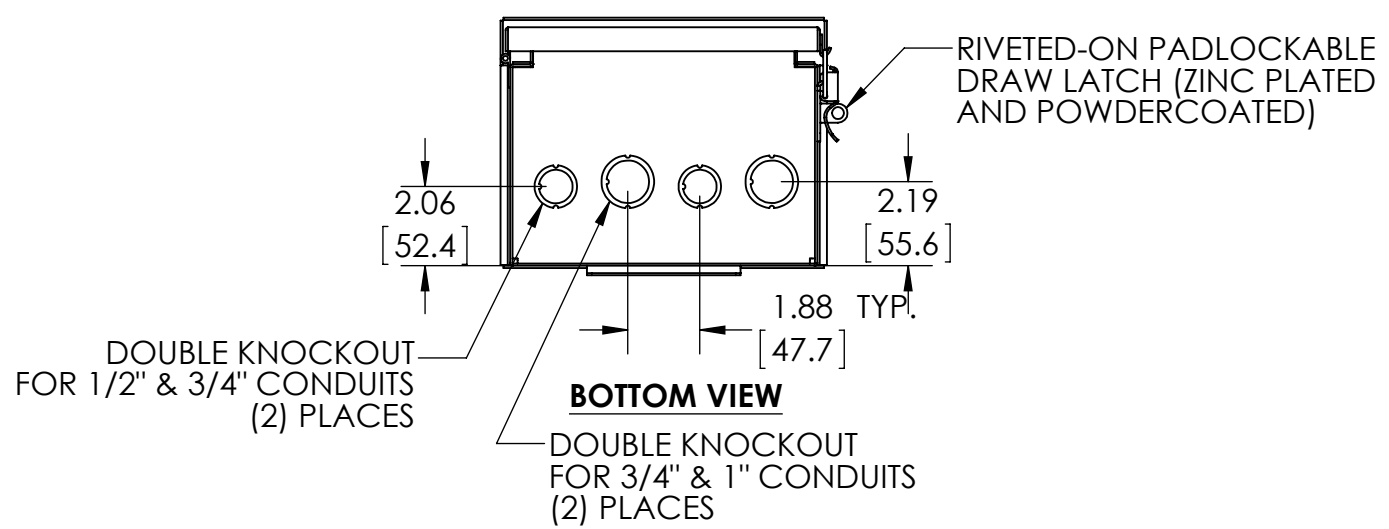


**SECTION A-A**



**BACK VIEW**

WELDED-ON MOUNTING BRACKET



MATERIAL:  
BOX - 16 GA. GALVANIZED STEEL  
PANEL - 16 GA. C.R.S.

FINISH:  
BOX - ASA-70 LIGHT GRAY SMOOTH POWDERCOAT  
PANEL - ZINC PLATED

SPOTWELDED CONSTRUCTION

GASKET - 6mm THICK BLACK NEOPRENE

COMPLIES WITH NEMA AND UL 50 TYPE 3R RATING

DIMENSIONS IN INCH[MILLIMETER]

DRAWING FOR REFERENCE