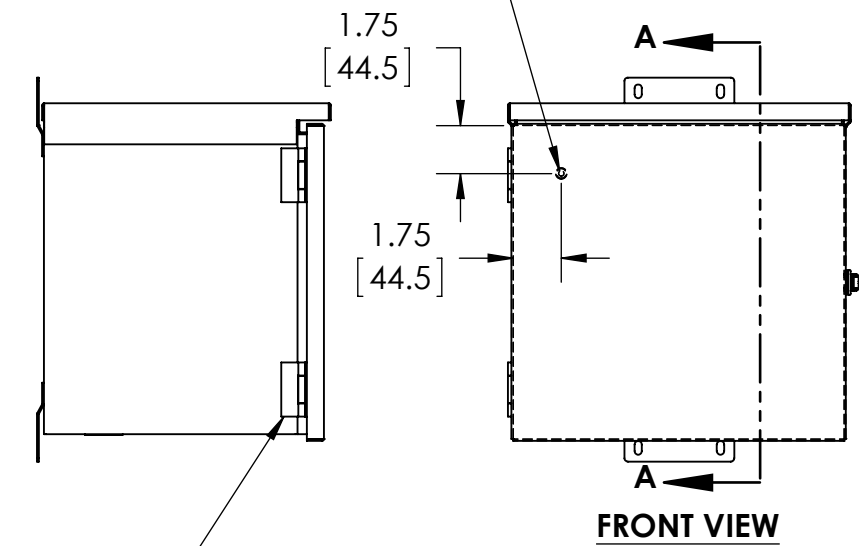
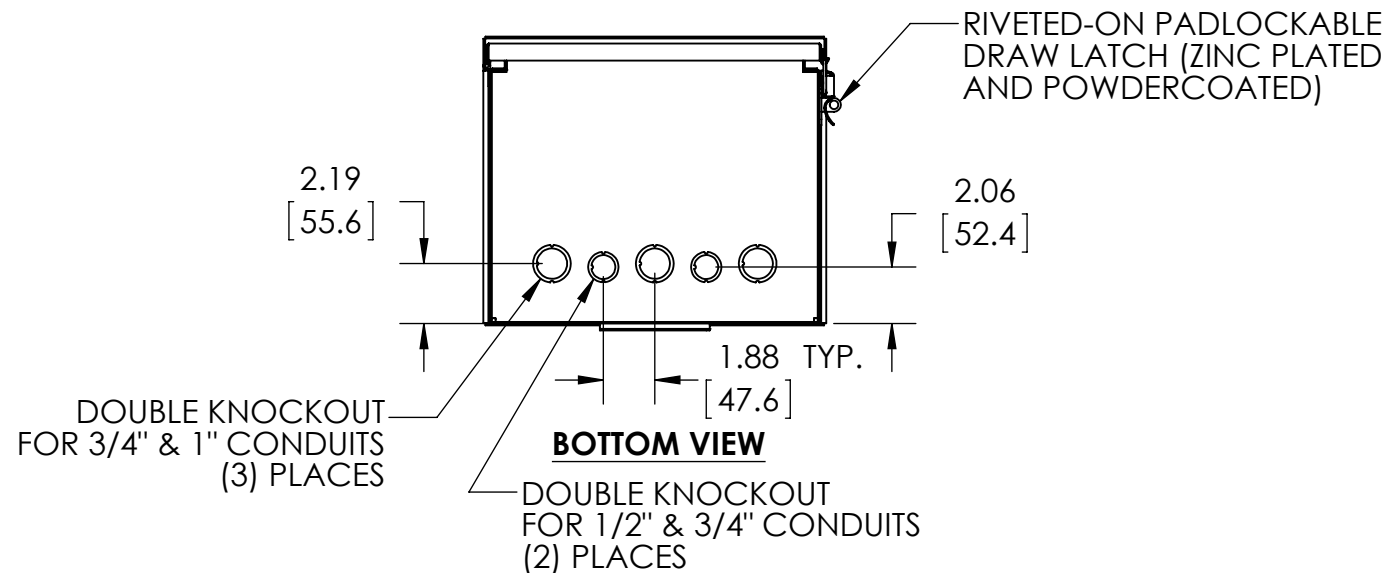
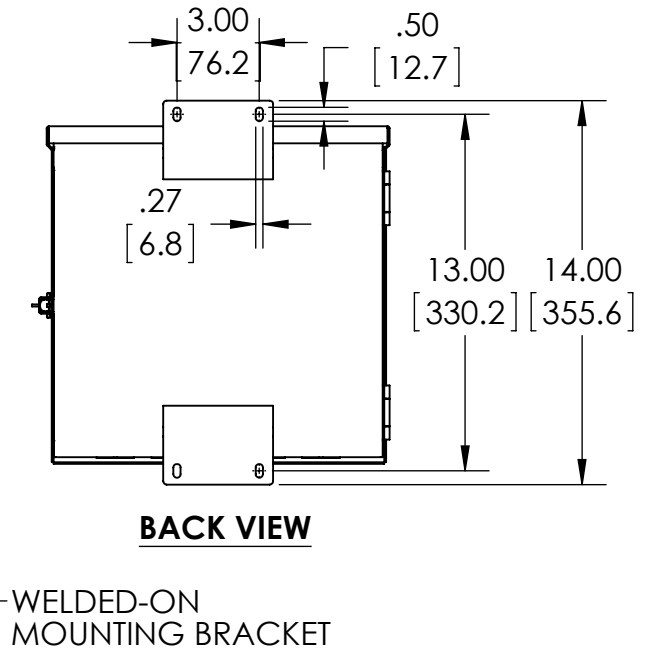
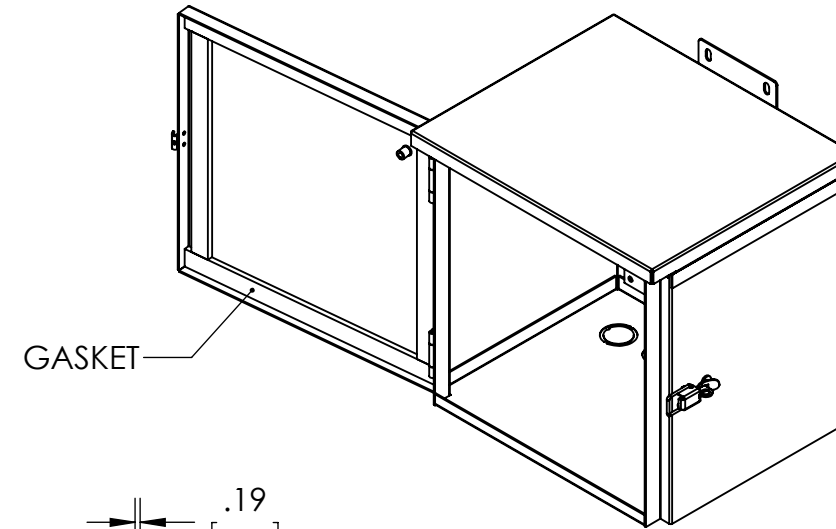
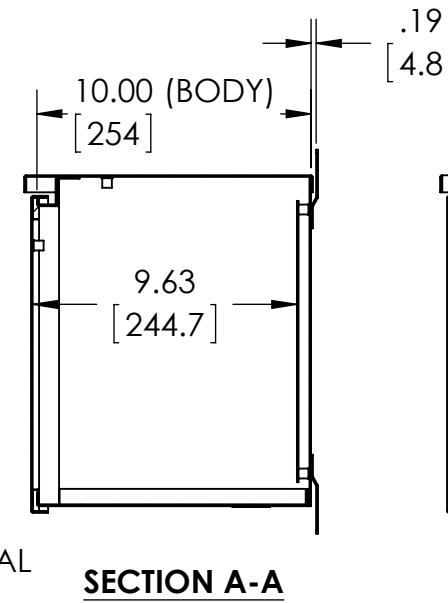
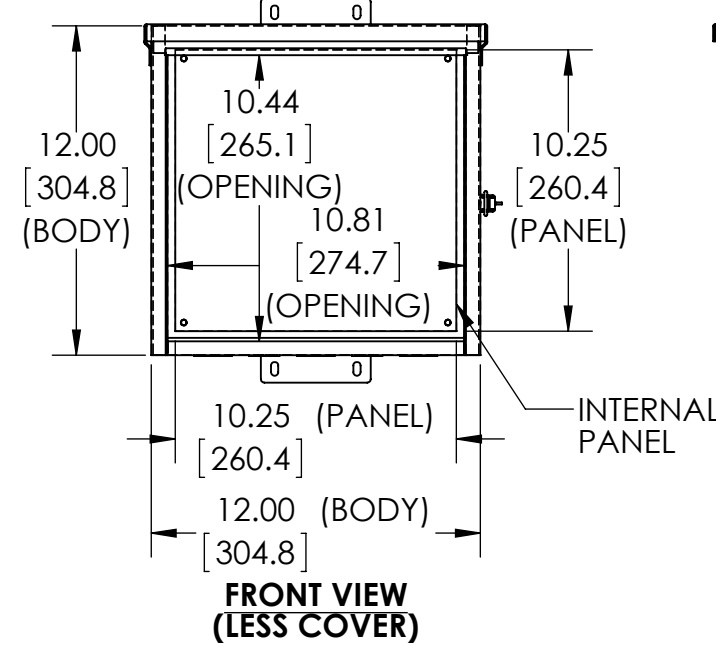
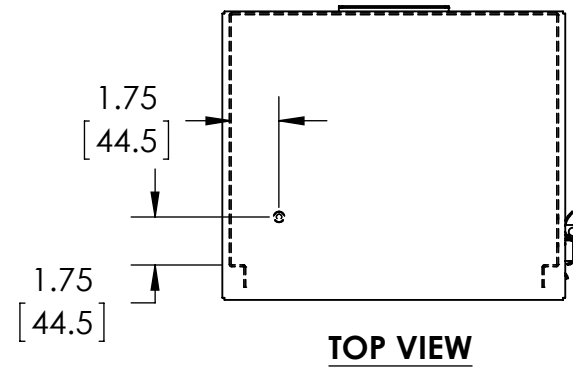


WELD STANDOFF
M5x0.8 x 10mm LG.
FOR GROUNDING (2) PL'S.
(ONE INSIDE THE COVER
AND ONE INSIDE THE TOP)



HINGES ARE WELDED
TO BODY & COVER



MATERIAL:
BOX - T6 GA. GALVANIZED STEEL
PANEL - 16 GA. C.R.S.

FINISH:
BOX - ASA-70 LIGHT GRAY SMOOTH POWDERCOAT
PANEL - ZINC PLATED

SPOTWELDED CONSTRUCTION

GASKET - 6mm THICK BLACK NEOPRENE

COMPLIES WITH NEMA AND UL 50 TYPE 3R RATING

DIMENSIONS IN INCH[MILLIMETER]

DRAWING FOR REFERENCE