



PART NAME

NBF SERIES NEMA PLASTIC BOX (STYLE B)

(OUTDOOR)

PART No.

NBF-32346

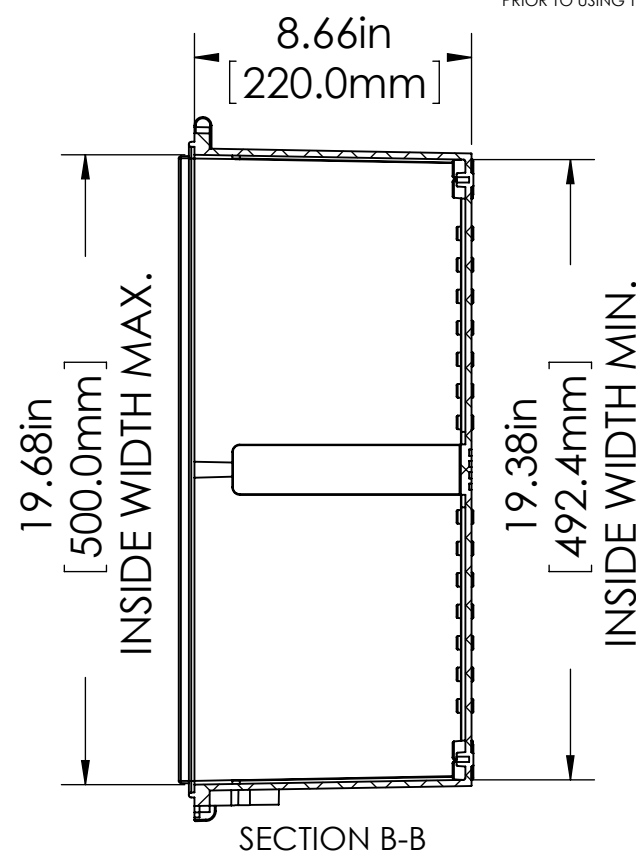
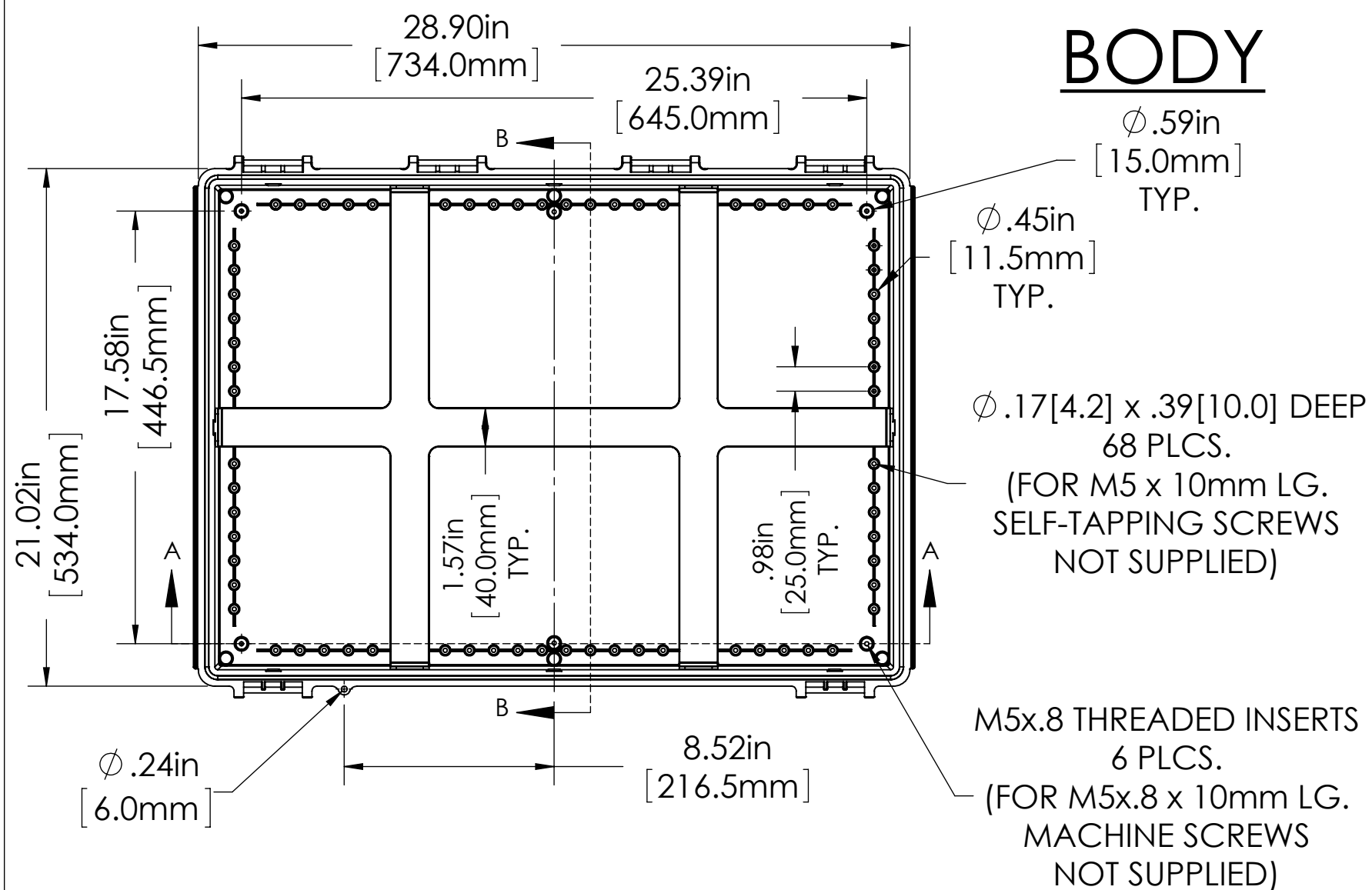
REVISION DATE

4/2/15

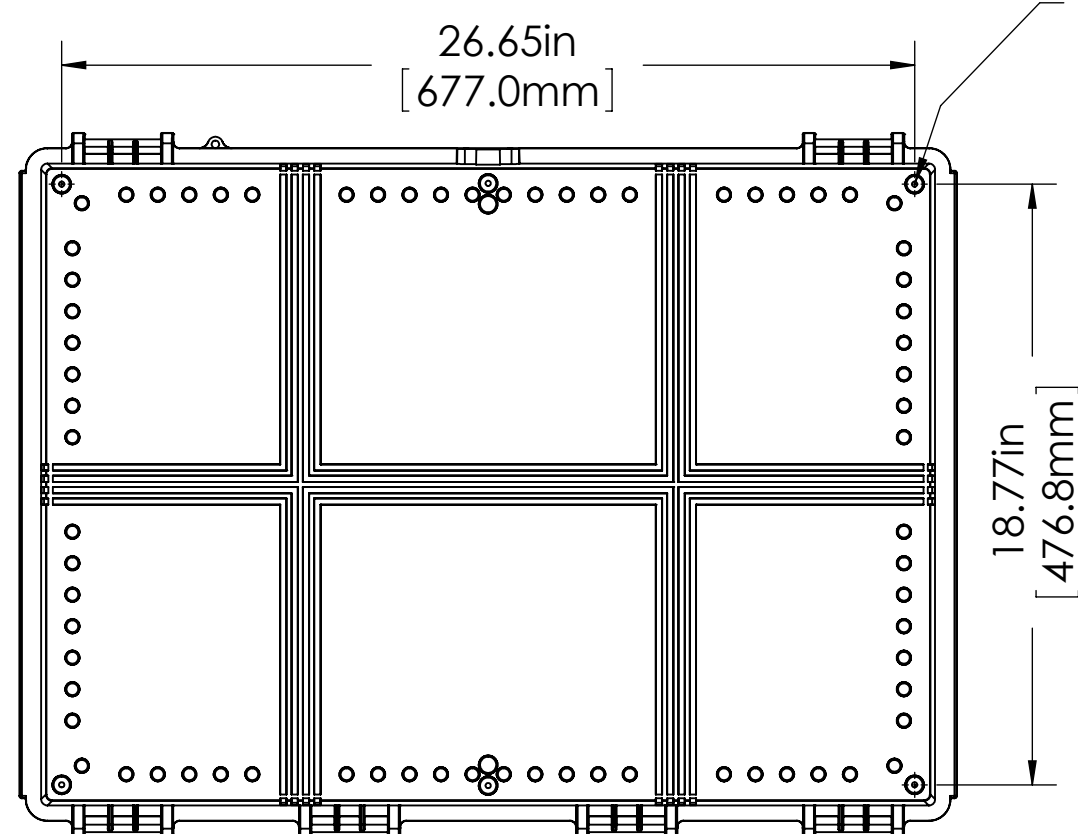
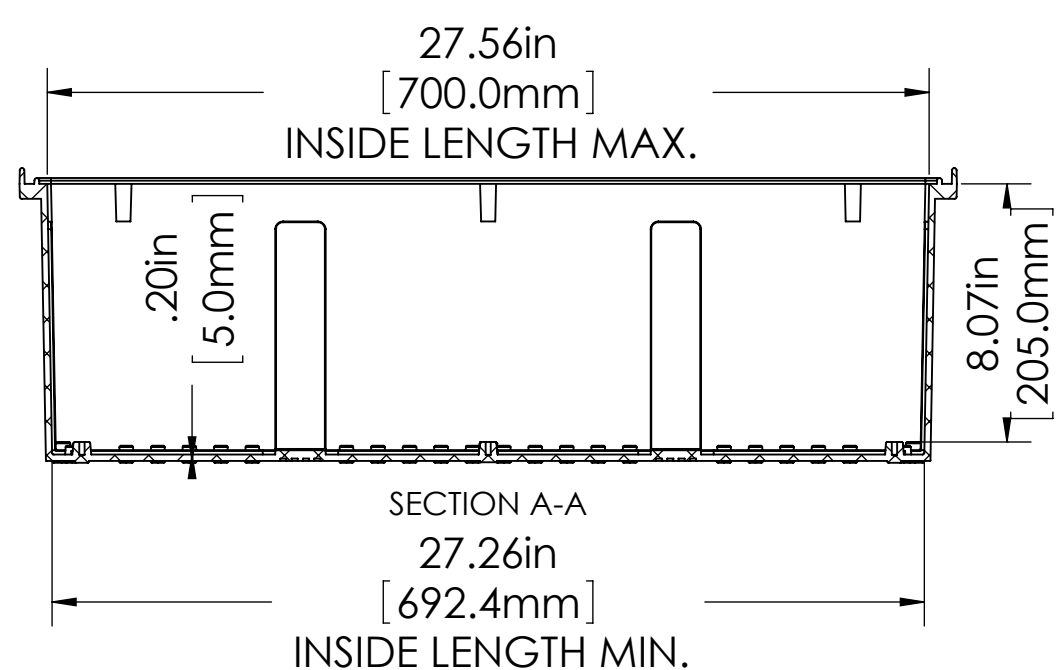
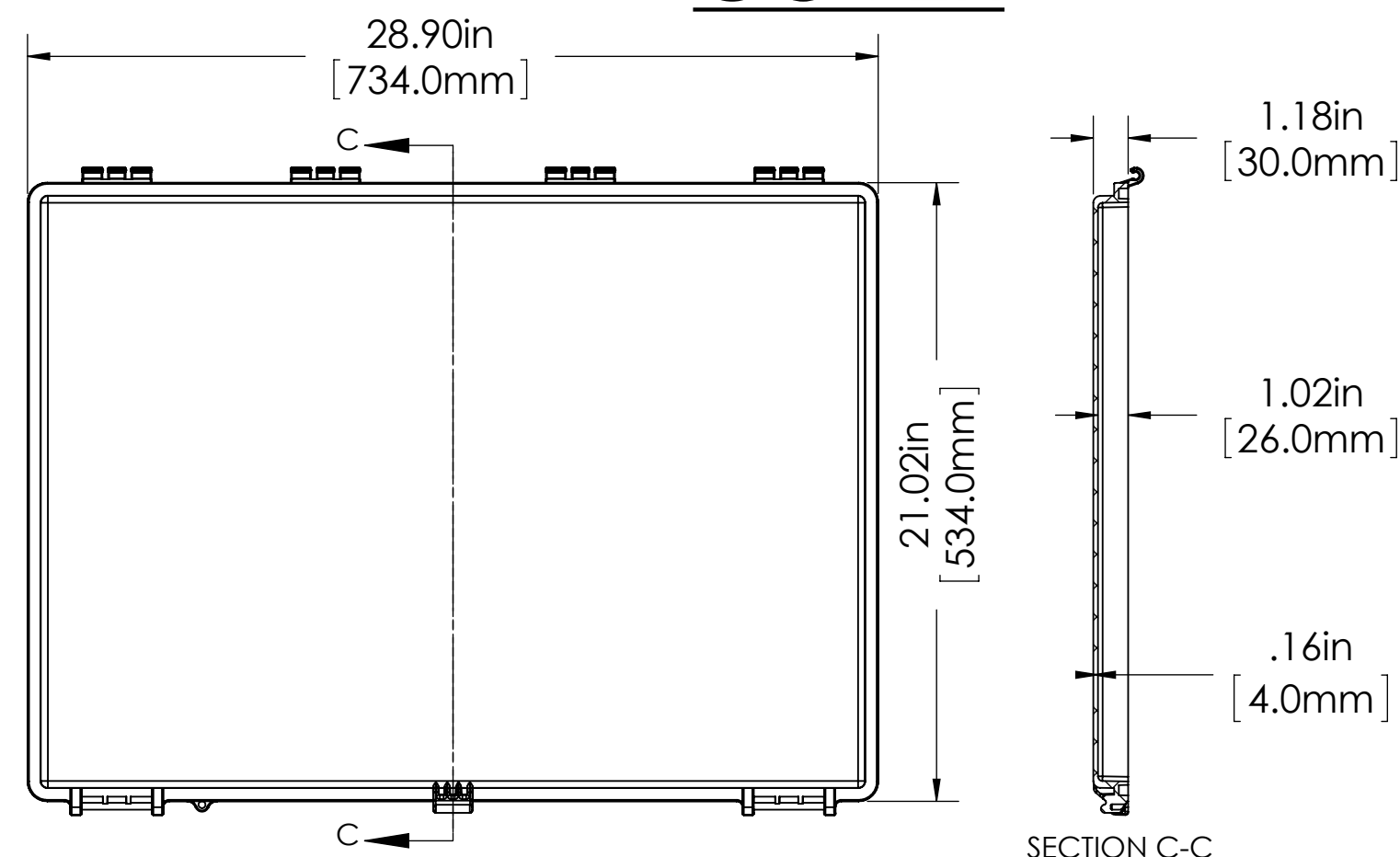
DRAWING FOR REFERENCE

WE RESERVE THE RIGHT TO MAKE CHANGES TO OUR STANDARD PRODUCTS. PLEASE CONSULT WITH BUD INDUSTRIES PRIOR TO USING THIS DRAWING FOR DESIGN PURPOSE.

BODY

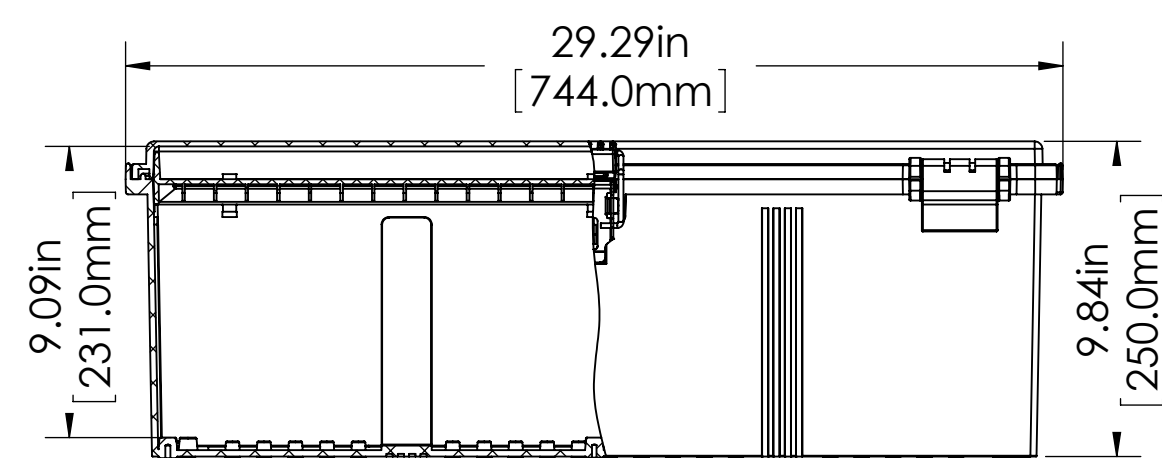
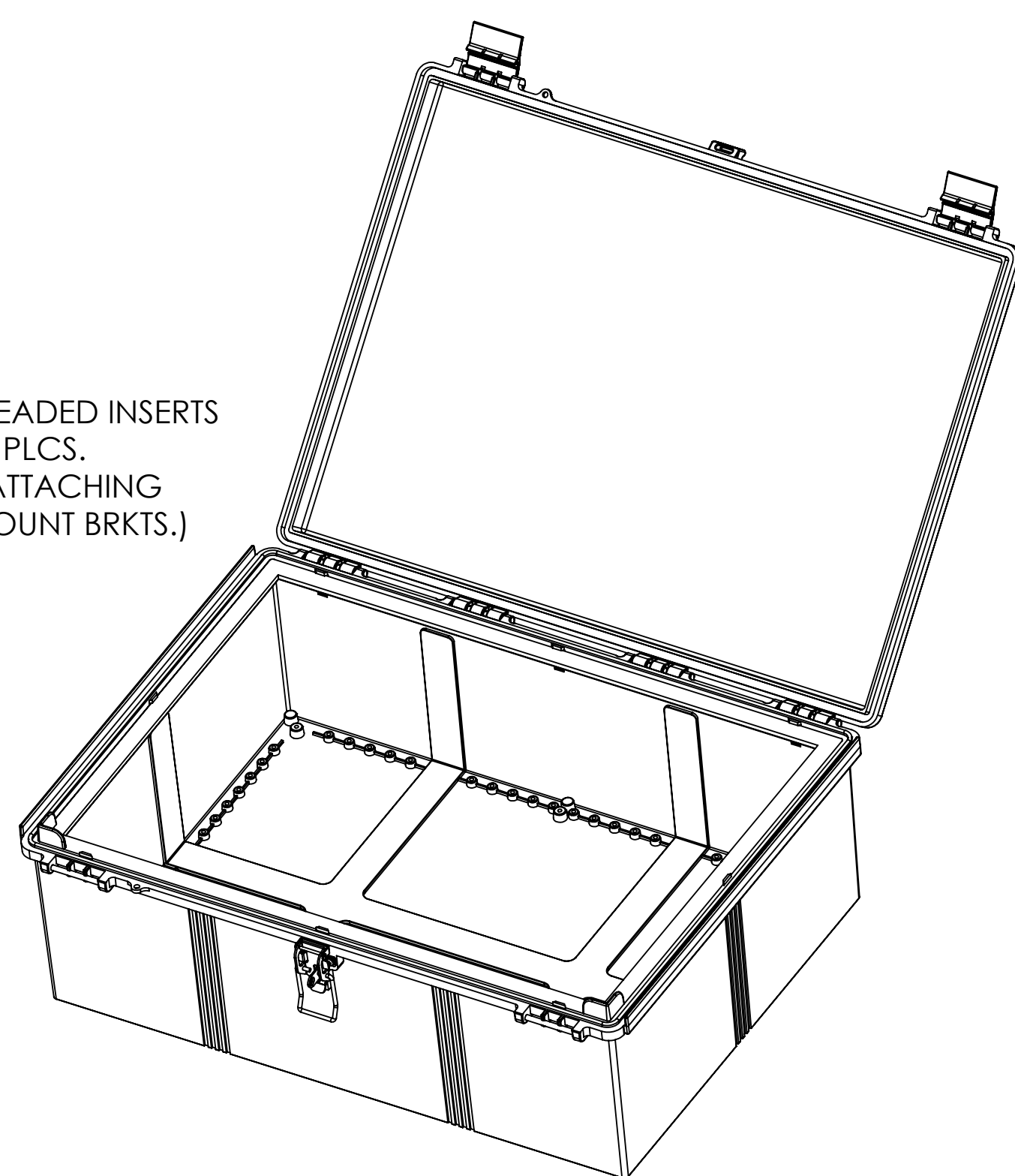


COVER



M5x.8 THREADED INSERTS 6 PLCS. (FOR ATTACHING WALL MOUNT BRKTS.)

ASSEMBLY



MATERIAL:

BODY, COVER, & LATCHES _____ LIGHT GRAY PBT/PC BLEND, UL94-5VA+UV(f1) FLAMMABILITY RATING AT CONTINUOUS OPERATING TEMPERATURE OF -40°C ~ +75°C / -40°F ~ 167°F

WALL MOUNTING BRACKETS _____ 14 GA. [2.0mm] STAINLESS STEEL

SCREWS (FOR WALL MTG. BRKTS.) _____ STAINLESS STEEL

NOTES:

- 1) UNIT COMES COMPLETE WITH:
 QTY. (6) LARGE WALL MOUNTING BRACKETS &
 QTY. (6) M5 x 10mm LG. MACHINE SCREWS.
 (NOT SHOWN)
- 2) BOXES DESIGNED TO MEET THESE STANDARDS:
 NEMA 1,2,4,4X, AND IEC529-IP66 REQUIREMENTS.

OPTIONAL INTERNAL PANEL: #NBX-10991