



PART NAME

NBF SERIES NEMA PLASTIC BOX (STYLE B)

(OUTDOOR)

PART No.

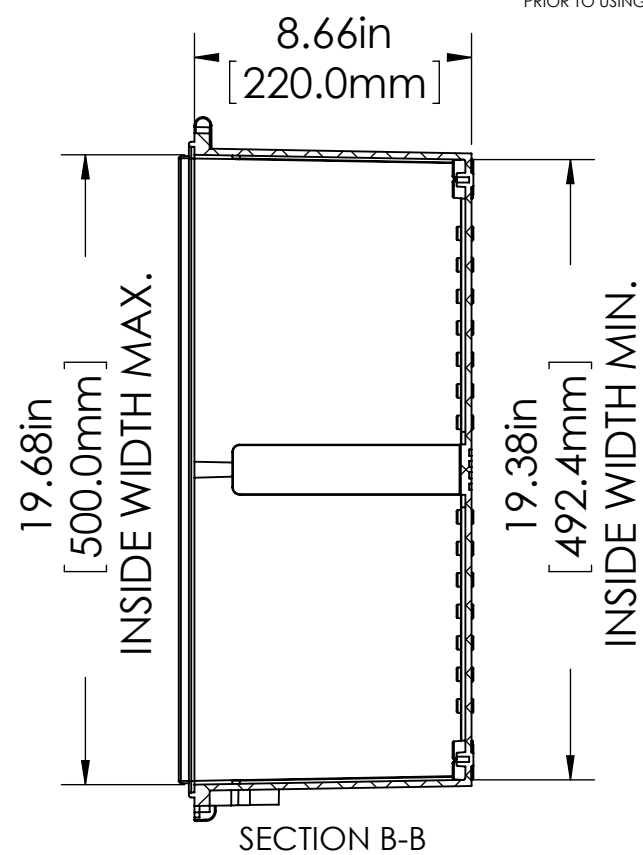
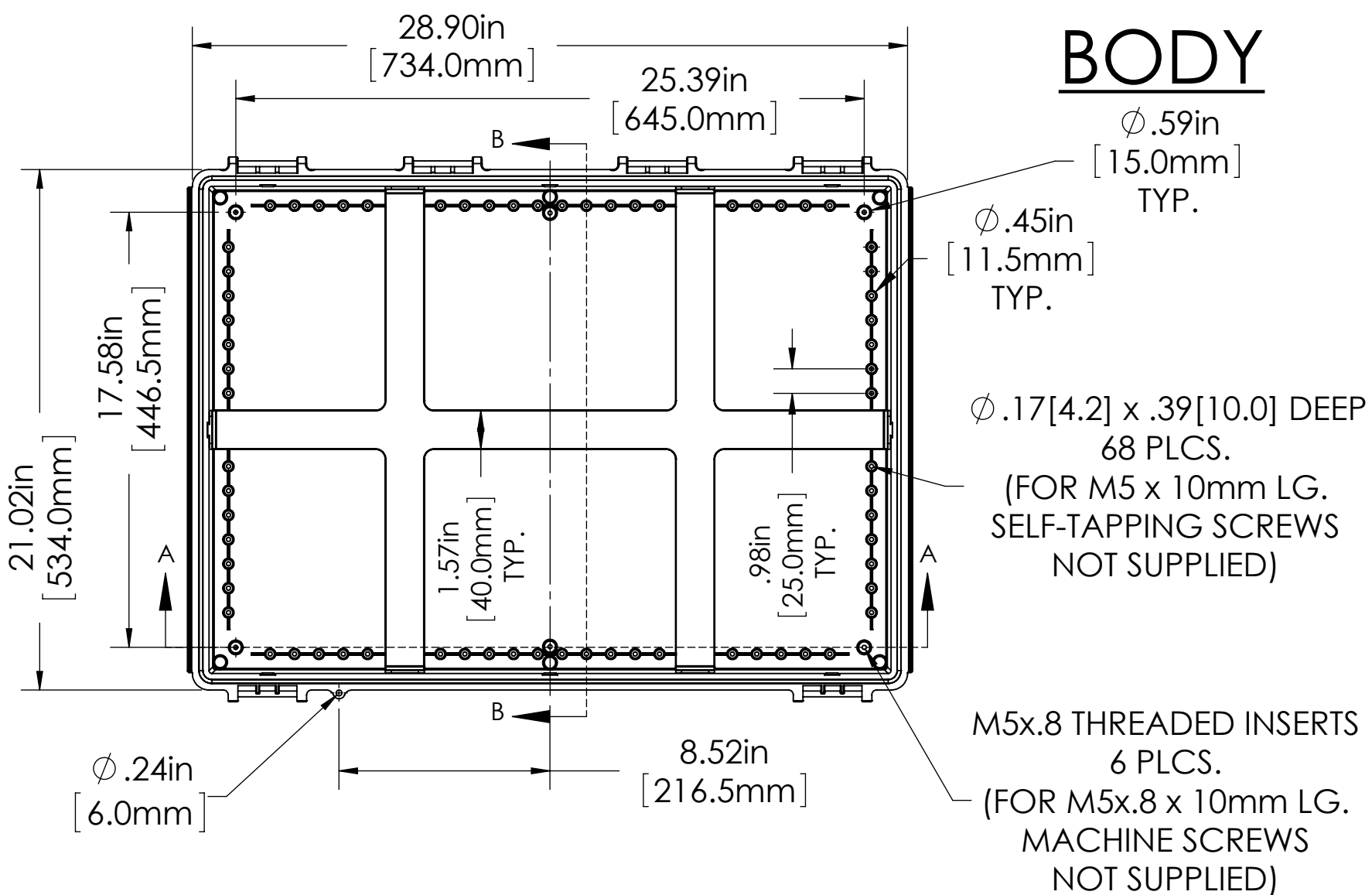
NBF-32446

REVISION DATE

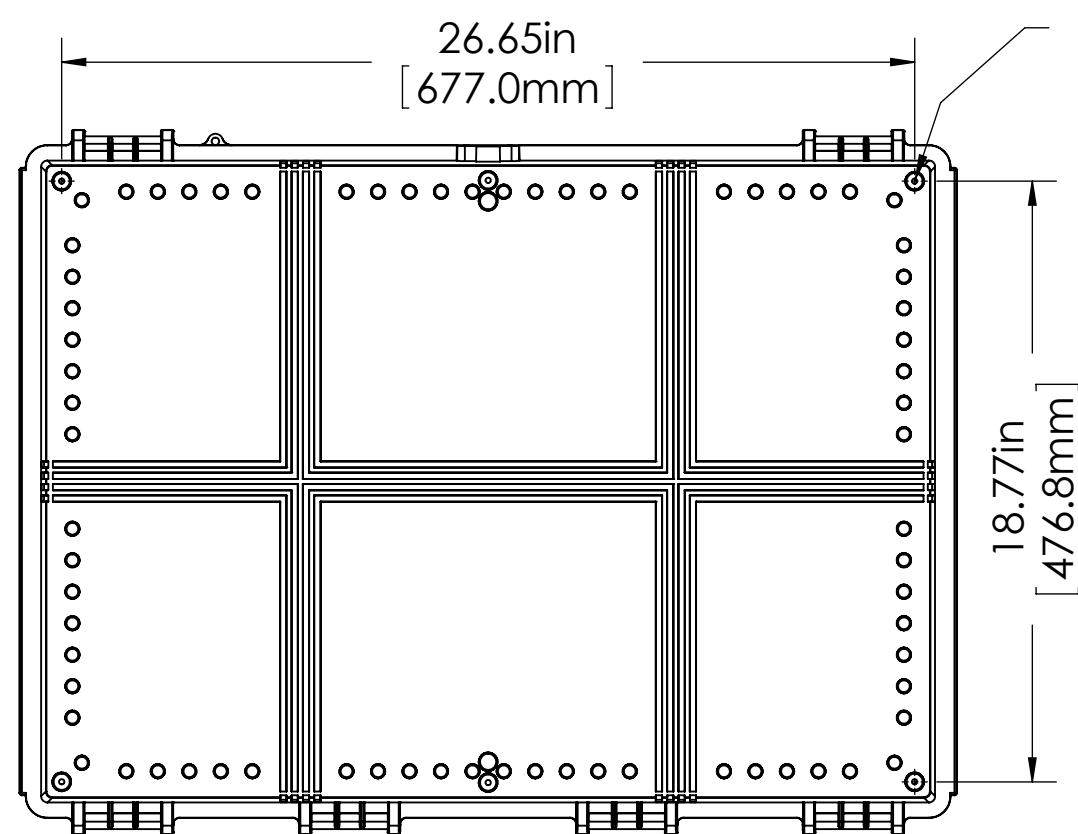
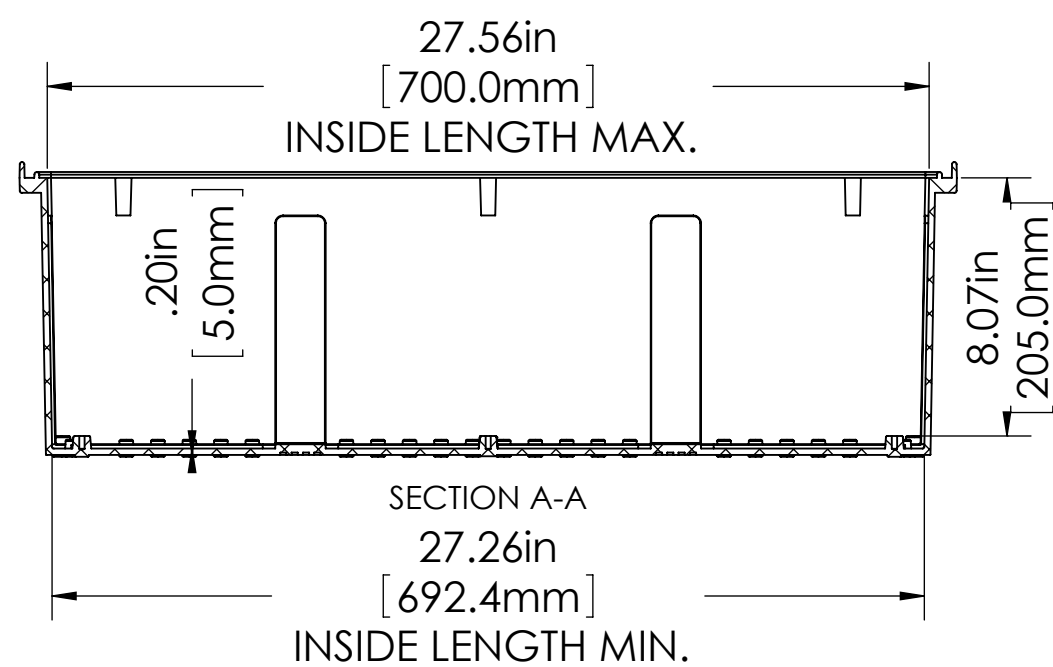
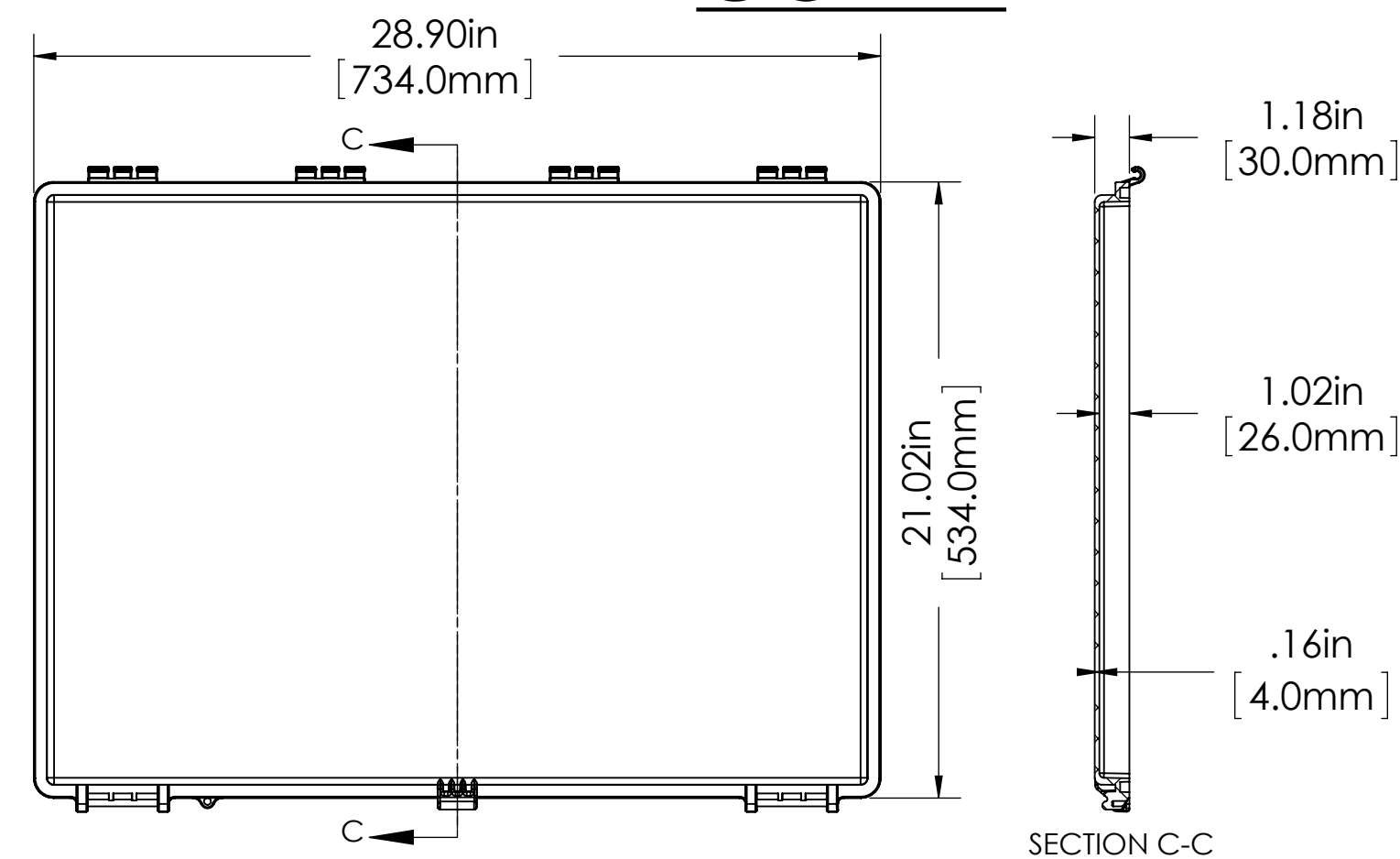
4/2/15

DRAWING FOR REFERENCE
WE RESERVE THE RIGHT TO MAKE CHANGES TO OUR STANDARD PRODUCTS. PLEASE CONSULT WITH BUD INDUSTRIES PRIOR TO USING THIS DRAWING FOR DESIGN PURPOSE.

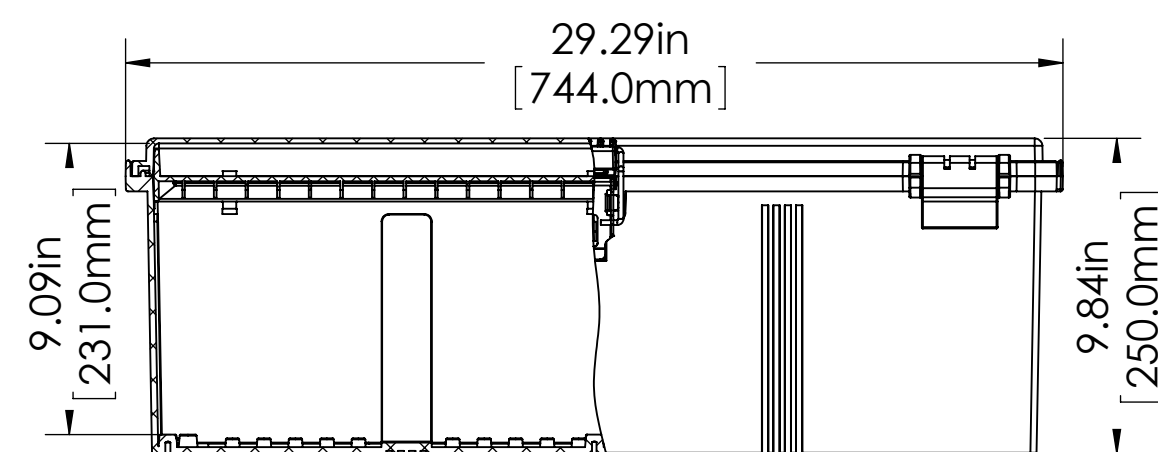
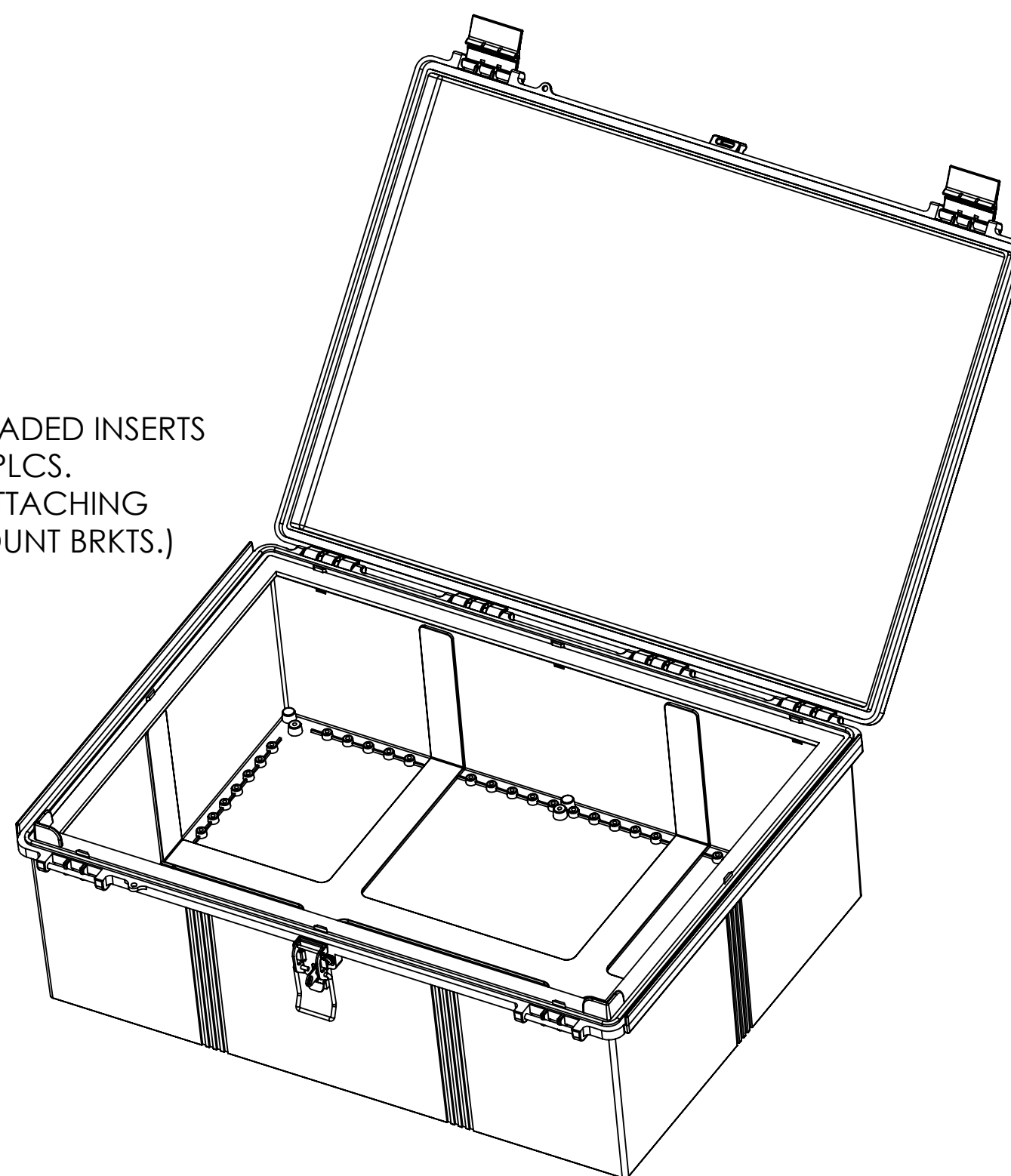
BODY



COVER



ASSEMBLY



MATERIAL:

BODY & LATCHES__ LIGHT GRAY-PBT/PC BLEND, UL94-5VA + UV(f1), FLAMMABILITY RATING AT CONTINUOUS OPERATING TEMPERATURE OF -40°C~ +75°C / -40°F~ 167°F
 COVER__ CLEAR POLYCARBONATE, UL94-V0 FLAMMABILITY RATING AT CONTINUOUS OPERATING TEMPERATURE OF -40°C~ +130°C / -40°F~ 266°F & UV STABILIZED

WALL MOUNTING BRACKETS____ 14 GA.[2.0mm] STAINLESS STEEL

SCREWS(FOR WALL MTG. BRKTS.)__STAINLESS STEEL

NOTES:

- 1) UNIT COMES COMPLETE WITH:
 QTY. (6) LARGE WALL MOUNTING BRACKETS &
 QTY. (6) M5 x 10mm LG. MACHINE SCREWS.
 (NOT SHOWN)
- 2) BOXES DESIGNED TO MEET THESE STANDARDS:
 NEMA 1,2,4,4X,12,13 AND IEC529-IP66 REQUIREMENTS.

OPTIONAL INTERNAL PANEL: #NBX-10991