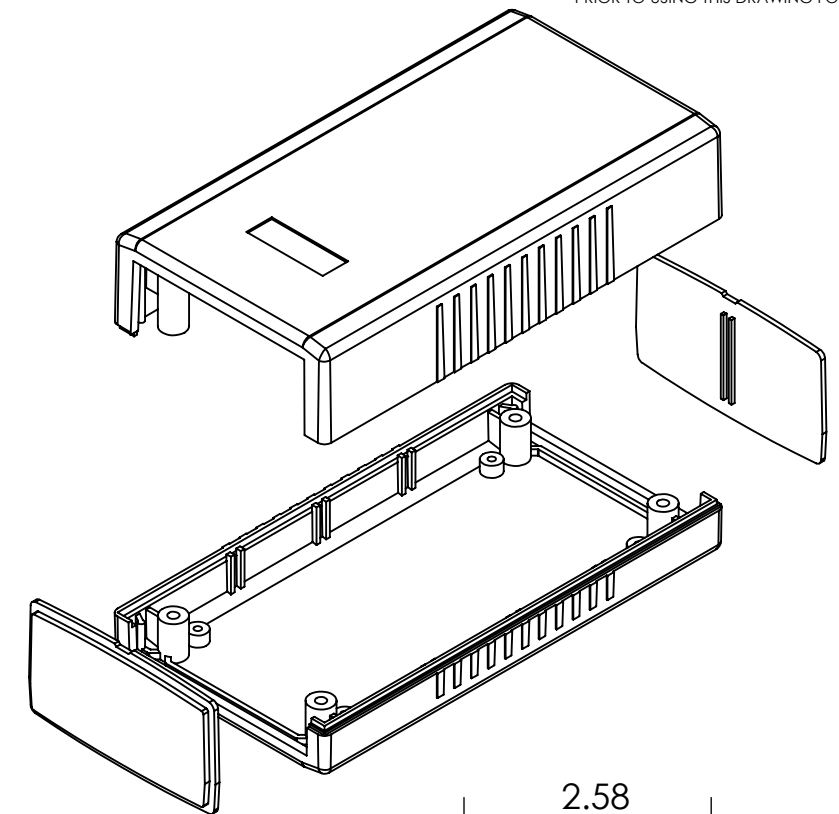
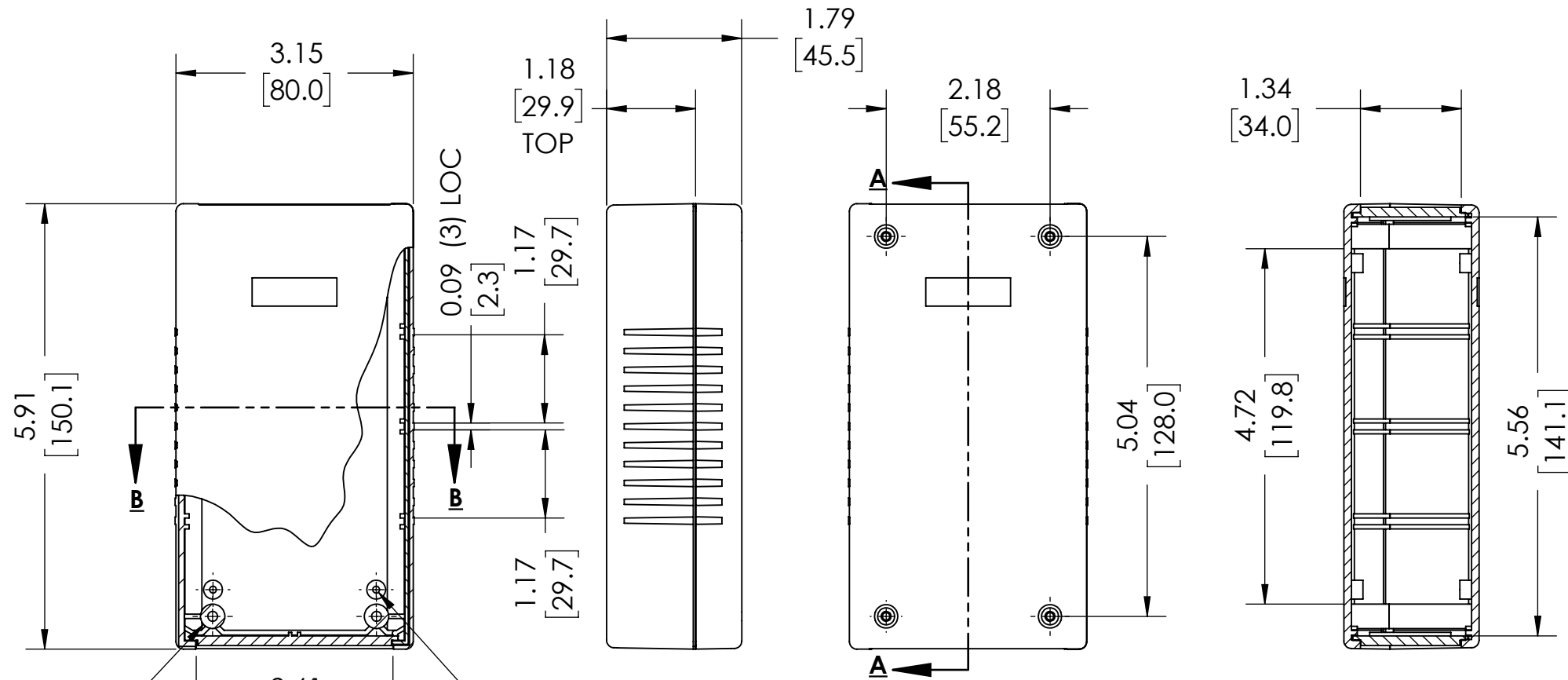
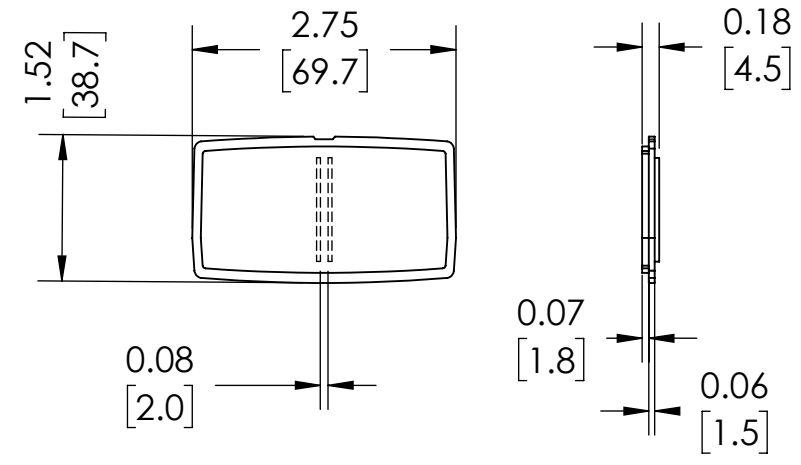


**DRAWING FOR REFERENCE**  
 WE RESERVE THE RIGHT TO MAKE CHANGES TO OUR STANDARD PRODUCTS. PLEASE CONSULT WITH BUD INDUSTRIES PRIOR TO USING THIS DRAWING FOR DESIGN PURPOSE.

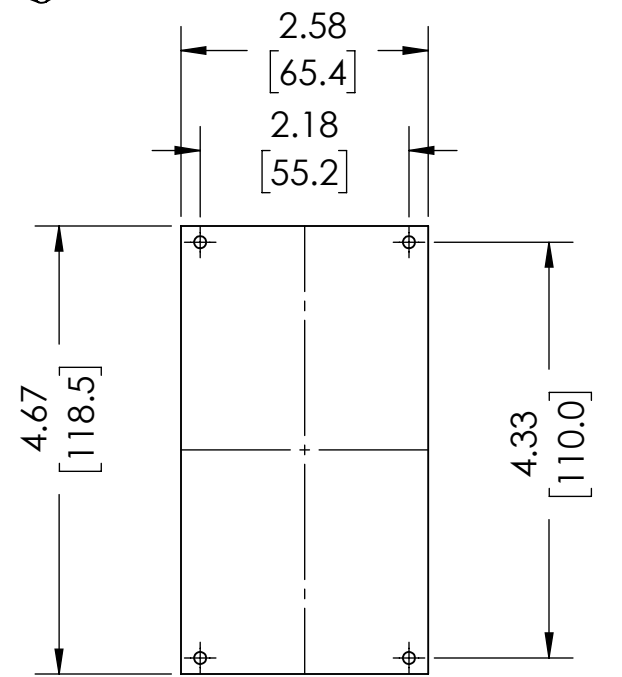


**SECTION A-A**

2.61 [66.3]  
 .315 DIA BOSS WITH M3 X .25 INSERT (4)  
 .25 DIA BOSS WITH .09 DIA HOLE X .16 DP MOUNTING BOSSES (4) SEE PCB BELOW FOR LOCATIONS - USE M2.5 OR #4 SHEET METAL SCREW (NOT SUPPLIED)



**PANEL (2) PCS**



**SUGGESTED PCB LAYOUT**

**SECTION B-B**

- NOTE:**
1. FOUR (4X) M3 X 20mm [0.79"] SCREWS SUPPLIED FOR ASSEMBLY
  2. ALL OUTSIDE AND INSIDE LARGE SURFACES FOLLOW CONTOUR OF MAIN FACE

FOR ADDITIONAL PRODUCT INFORMATION AND ACCESSORIES VISIT [WWW.BUDIND.COM](http://WWW.BUDIND.COM)

**MATERIAL AND FINISH:**  
 NO SUFFIX - DARK GRAY ABS COVERS WITH LIGHT GRAY ABS END PANELS. UL94V-0 FLAMMABILITY RATING.  
 SUFFIX -LG - LIGHT GRAY ABS COVERS WITH DARK GRAY ABS END PANELS. UL94-HB FLAMMABILITY RATING.