

PART NAME

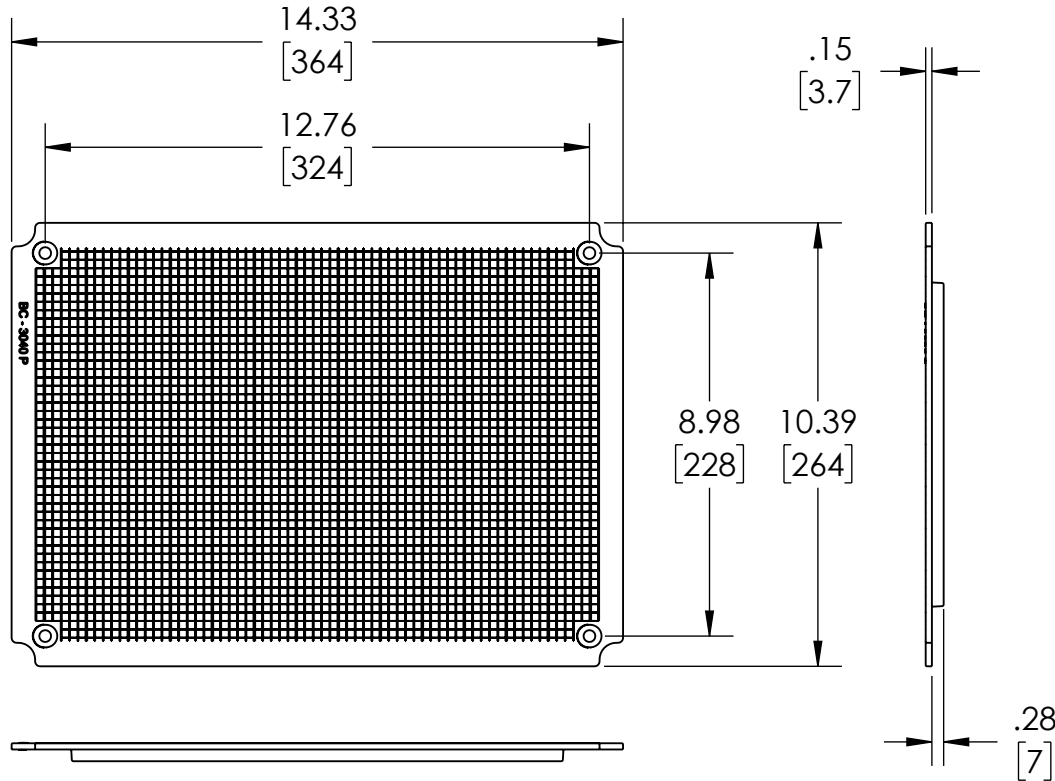
INTERNAL PANEL (PLASTIC)

PART No.

PTX-11068-P

REV. DATE

11/10/22



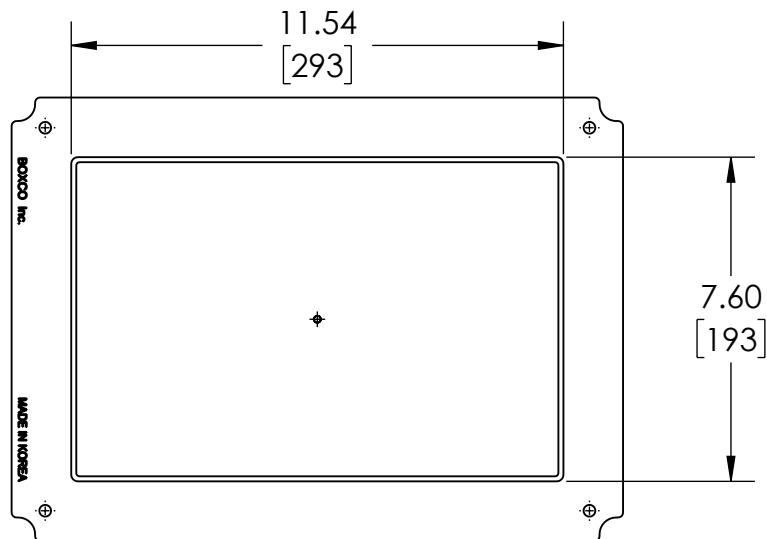
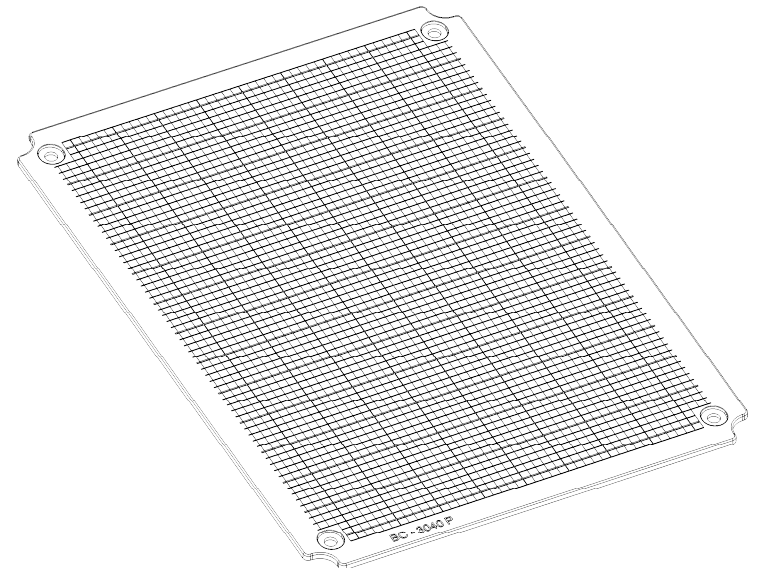
DRAWING FOR REFERENCE

WE RESERVE THE RIGHT TO MAKE CHANGES TO OUR STANDARD PRODUCTS. PLEASE CONSULT WITH BUD INDUSTRIES PRIOR TO USING THIS DRAWING FOR DESIGN PURPOSE.

MATERIAL: ABS

COLOR: LIGHT GRAY

DIMENSIONS ARE INCH [MM]



PANEL FITS ENCLOSURE: #PTQ-11068 & #PTQ-11068-C
(MOUNTING HARDWARE SUPPLIED WITH ENCLOSURE)