



PART NAME

TOP OR BOTTOM COVER (VENTILATED)

PART No.

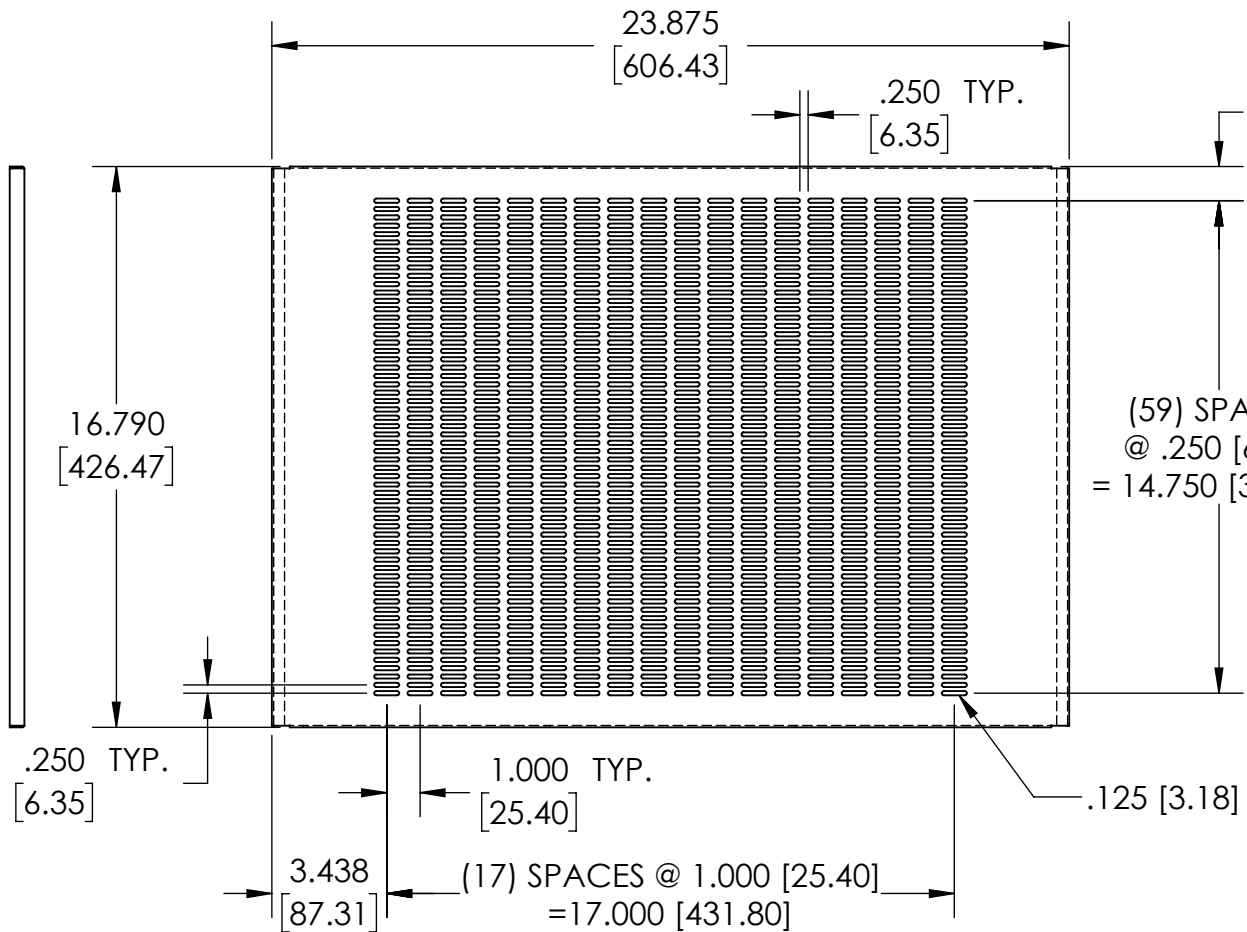
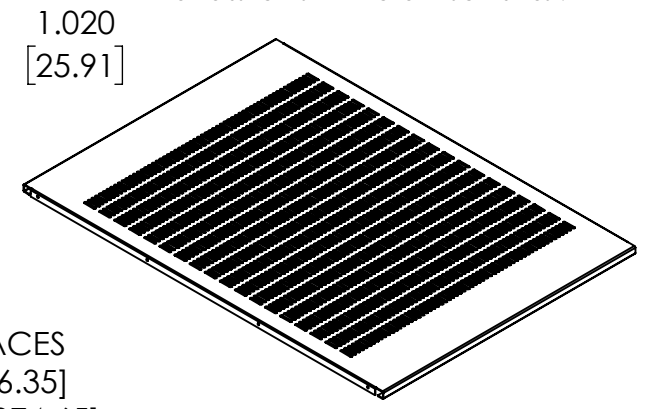
TBC-14264

REV. DATE

5-3-21

DRAWING FOR REFERENCE

WE RESERVE THE RIGHT TO MAKE CHANGES TO OUR STANDARD PRODUCTS. PLEASE CONSULT WITH BUD INDUSTRIES PRIOR TO USING THIS DRAWING FOR DESIGN PURPOSE.



(59) SPACES @ .250 [6.35] = 14.750 [374.65]

FITS THE FOLLOWING RACK MOUNT CHASSIS':

- RM-14292
- RM-14293
- RM-14294
- RM-14295

.125 [3.18] x .750 [19.05] OBLONG HOLES

.250 TYP. [6.35]

1.000 TYP. [25.40]

3.438 [87.31] (17) SPACES @ 1.000 [25.40] = 17.000 [431.80]

MATERIAL: .050[1.27] THK. ALUMINUM

FINISH: NATURAL

SUPPLIED WITH QTY. (8) #6 x 1/2 LG. SELF-TAPPING SCREWS

DIMENSIONS ARE IN INCH [MILLIMETER]

