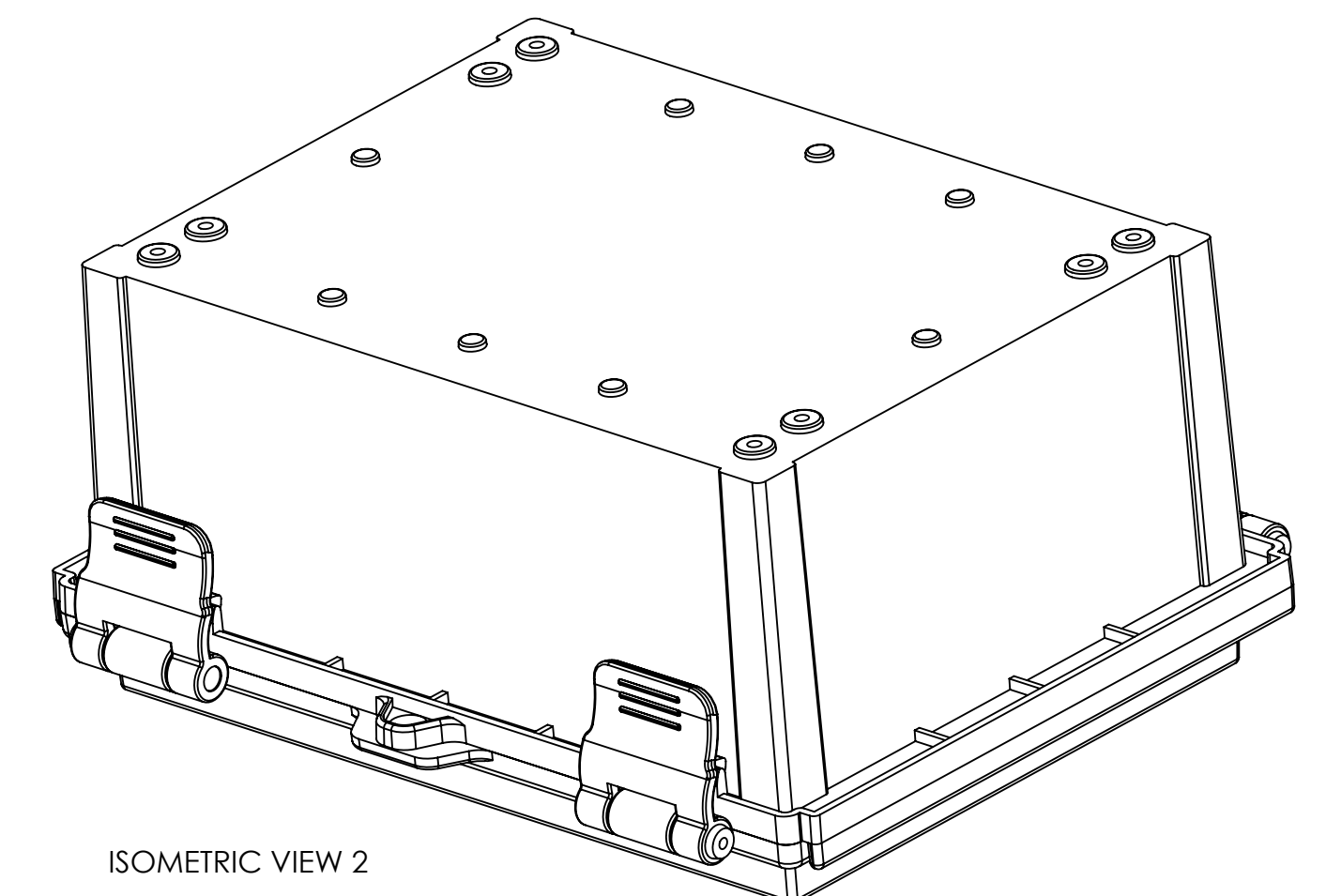
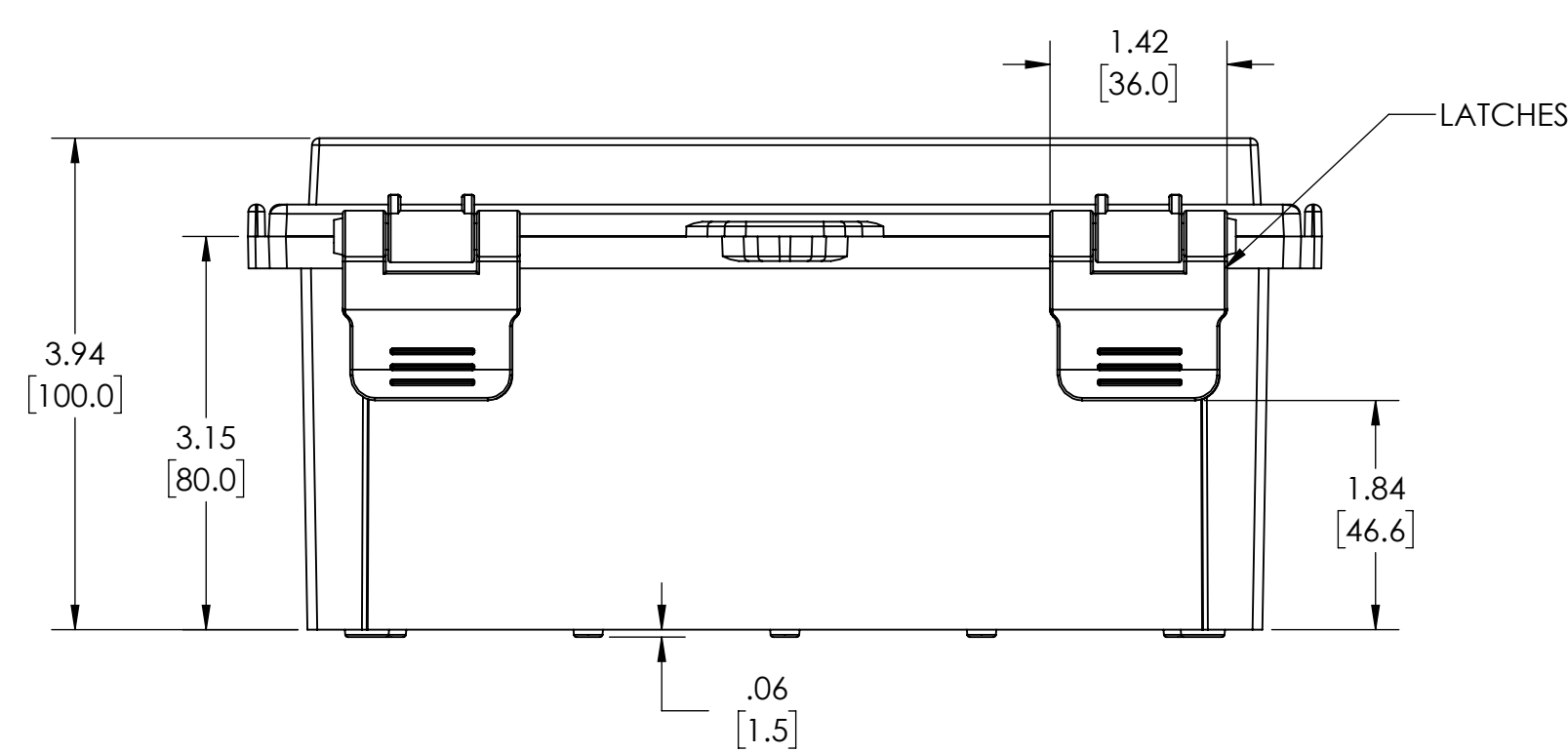
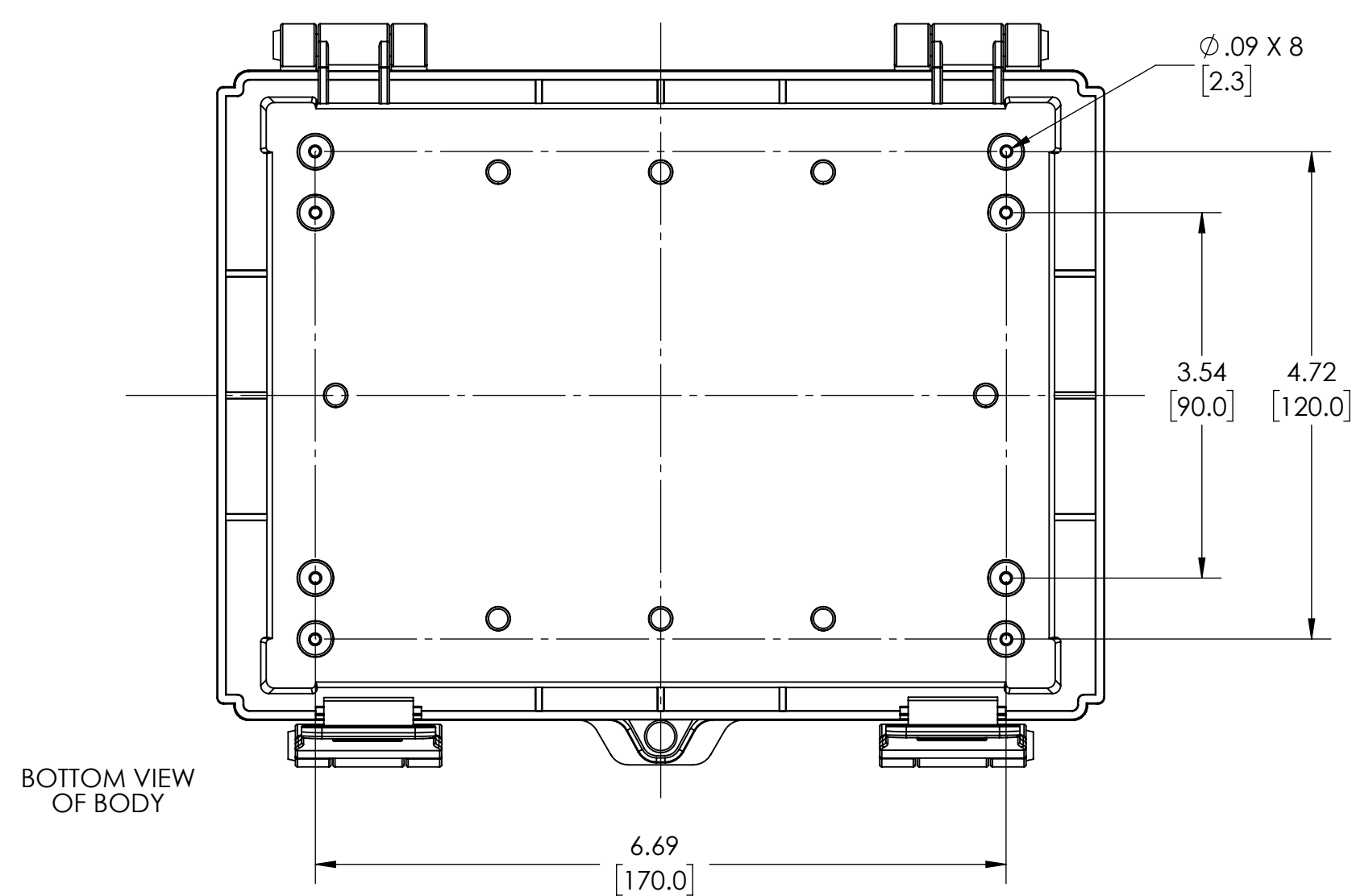
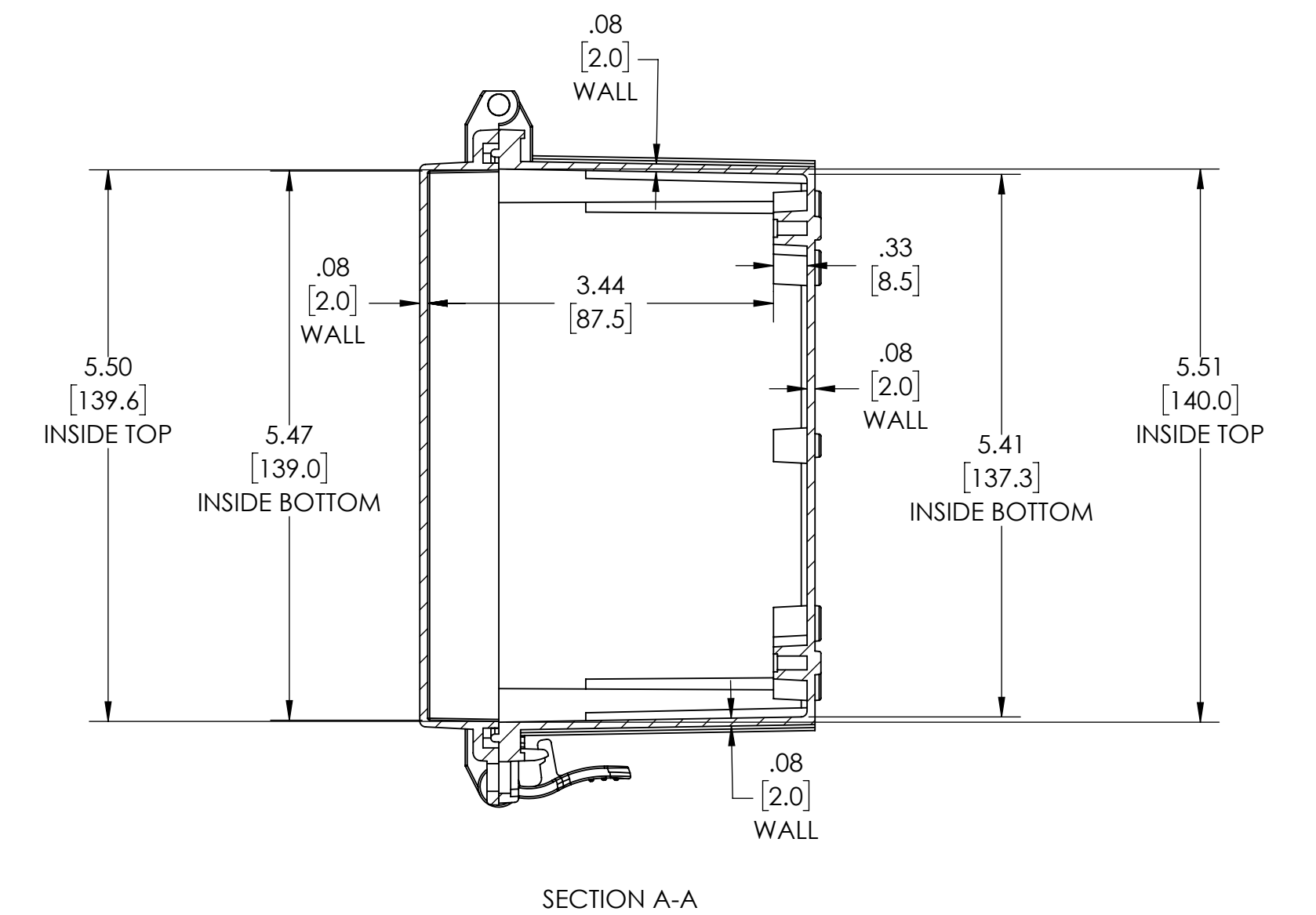
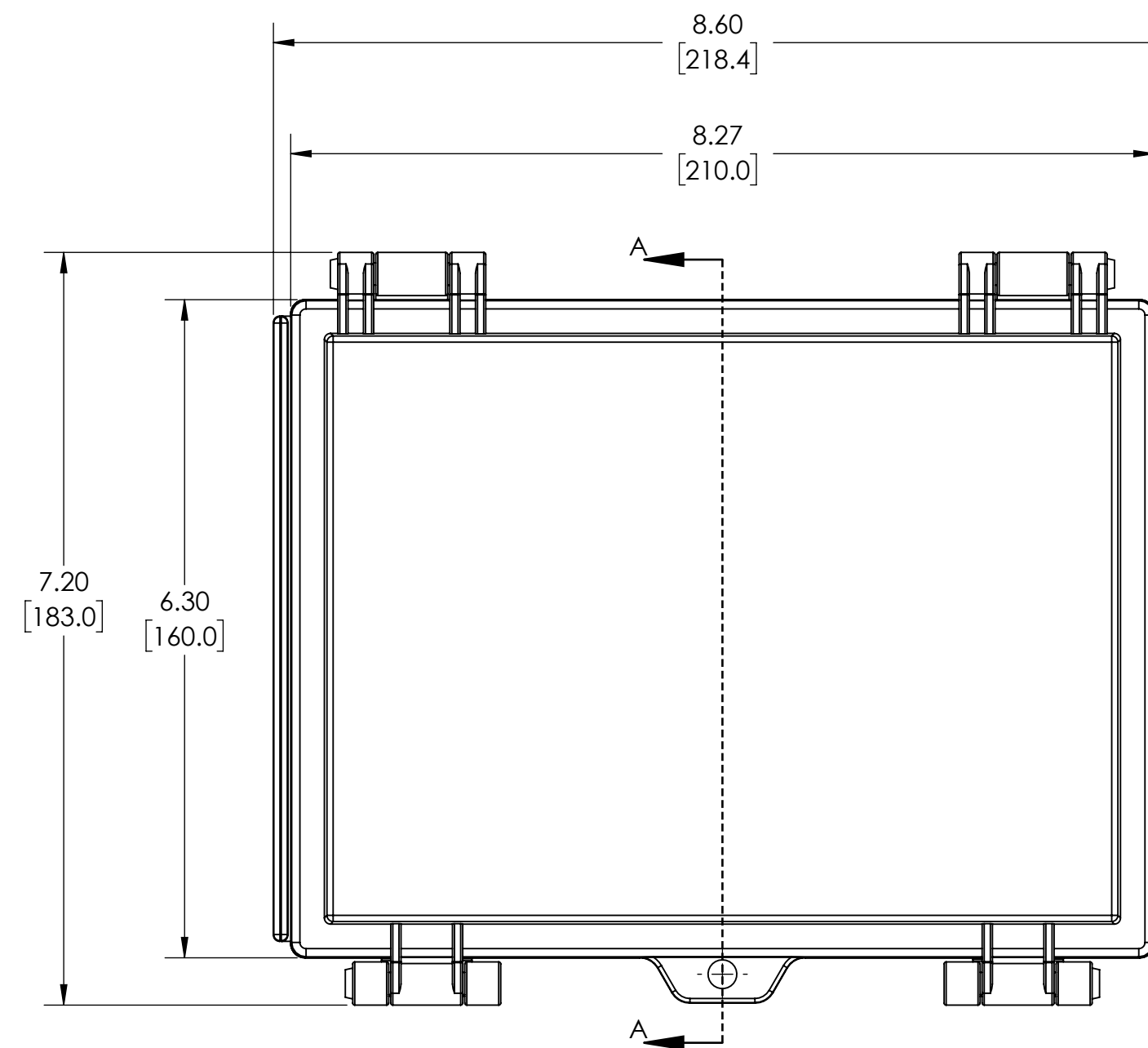
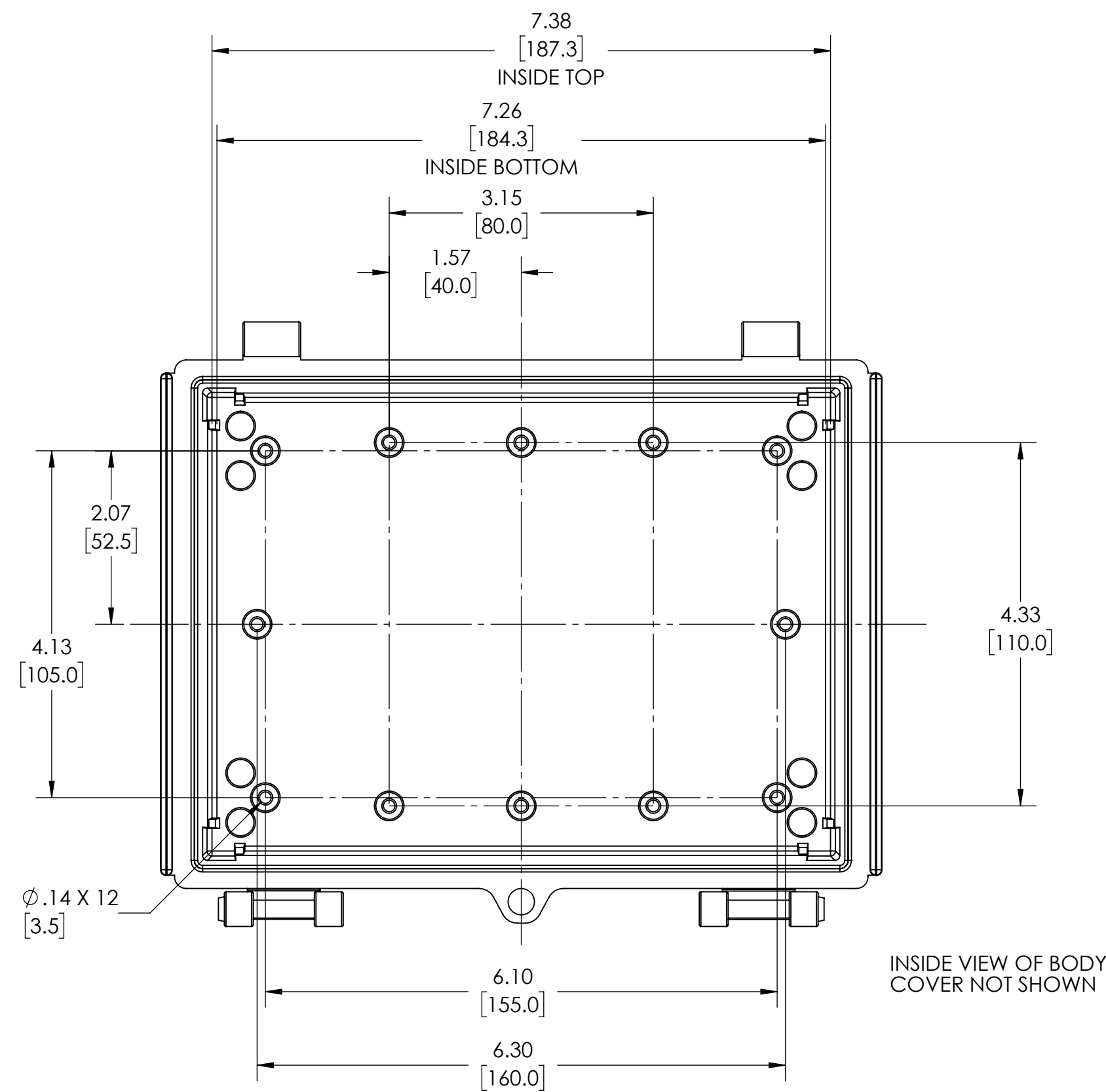
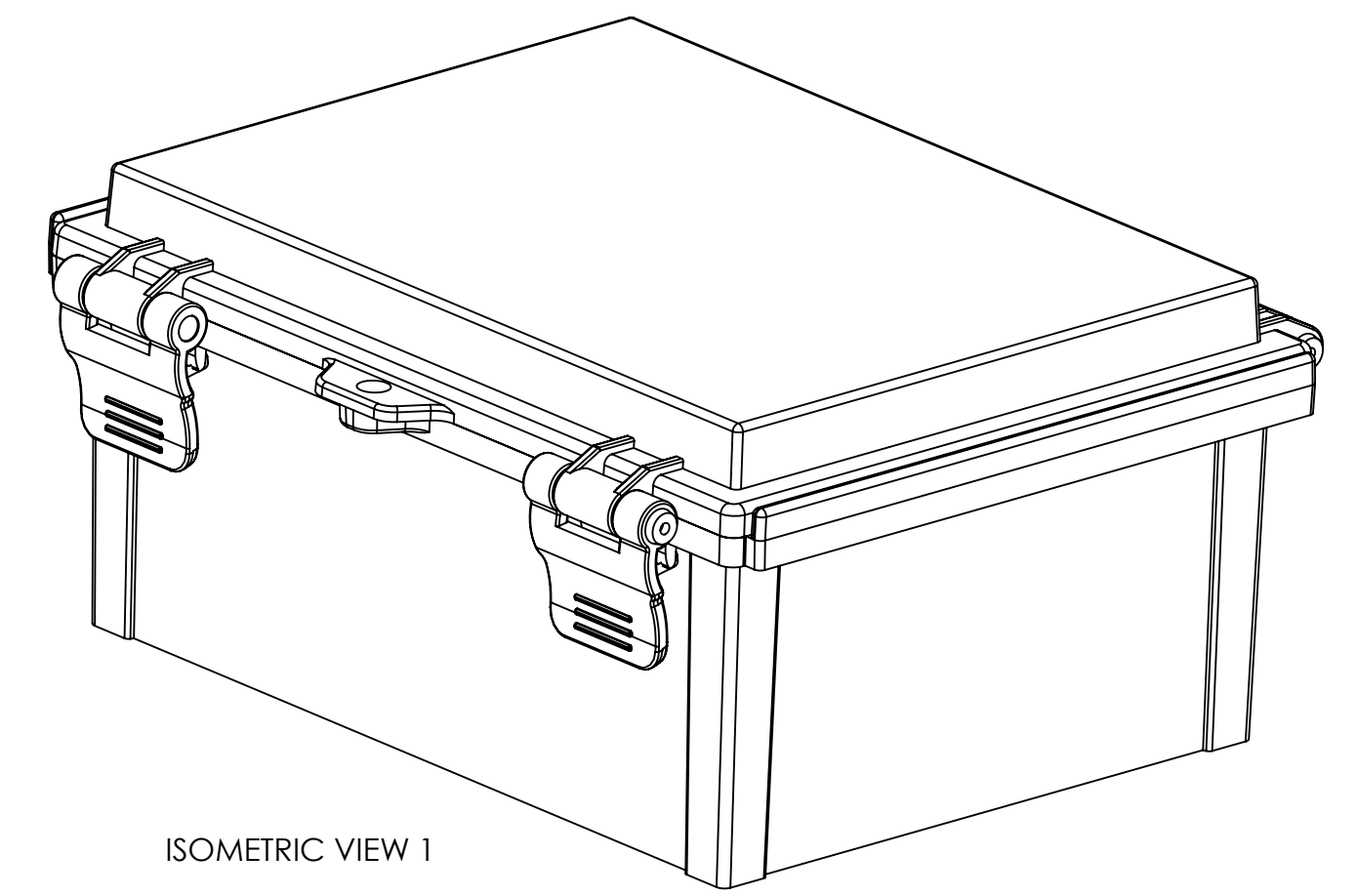
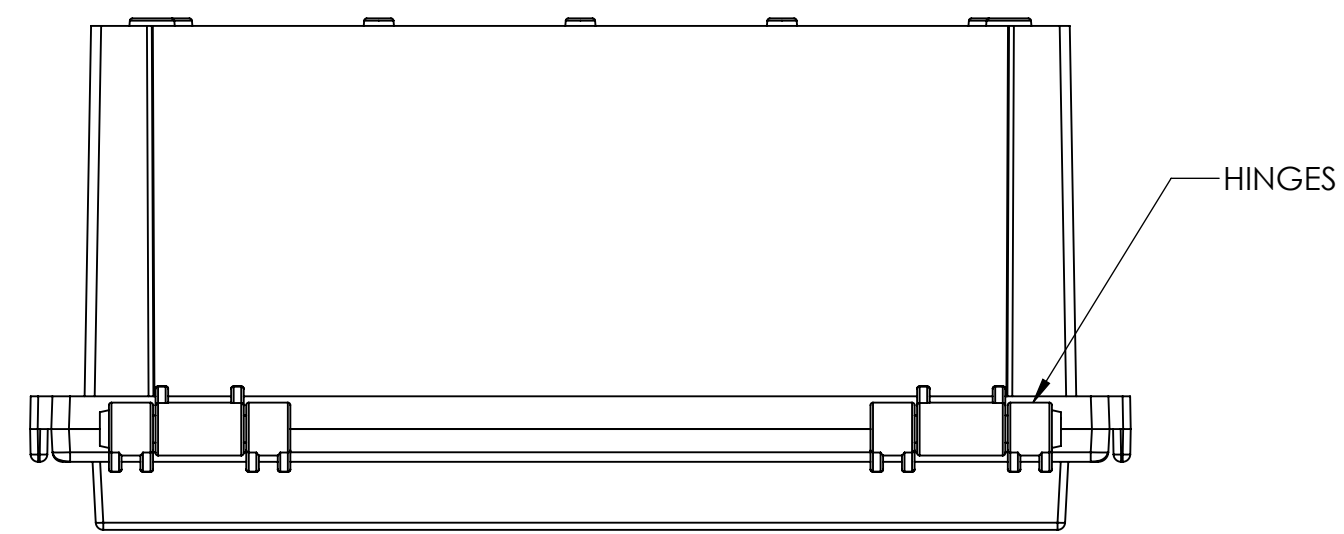


## NOTES:

1. MATERIAL:  
 BODY - GRAY ABS - UL-94 HB  
 COVER - GRAY ABS OR CLEAR (-C SUFFIX) POLYCARBONATE
2. IP-66 + IP-67 TUV TESTED - NOT UL LISTED
3. POURED CONTINUOUS GASKET
4. DIMENSIONS ARE INCH[MM]
5. OPTIONAL ACCESSORIES:  
 16 GA INTERNAL MOUNTING PLATE OR ABS  
 EXTERNAL MOUNTING BRACKETS - NBX-10922, PIP-117-PMB  
 PLASTIC INTERNAL PANEL - PTX-18483-P



DRAWING FOR REFERENCE  
 WE RESERVE THE RIGHT TO MAKE CHANGES TO OUR  
 STANDARD PRODUCTS. PLEASE CONSULT WITH BUD INDUSTRIES  
 PRIOR TO USING THIS DRAWING FOR DESIGN PURPOSES.