

PART NAME

PTR SERIES - ABS ALL PLASTIC

PART No.

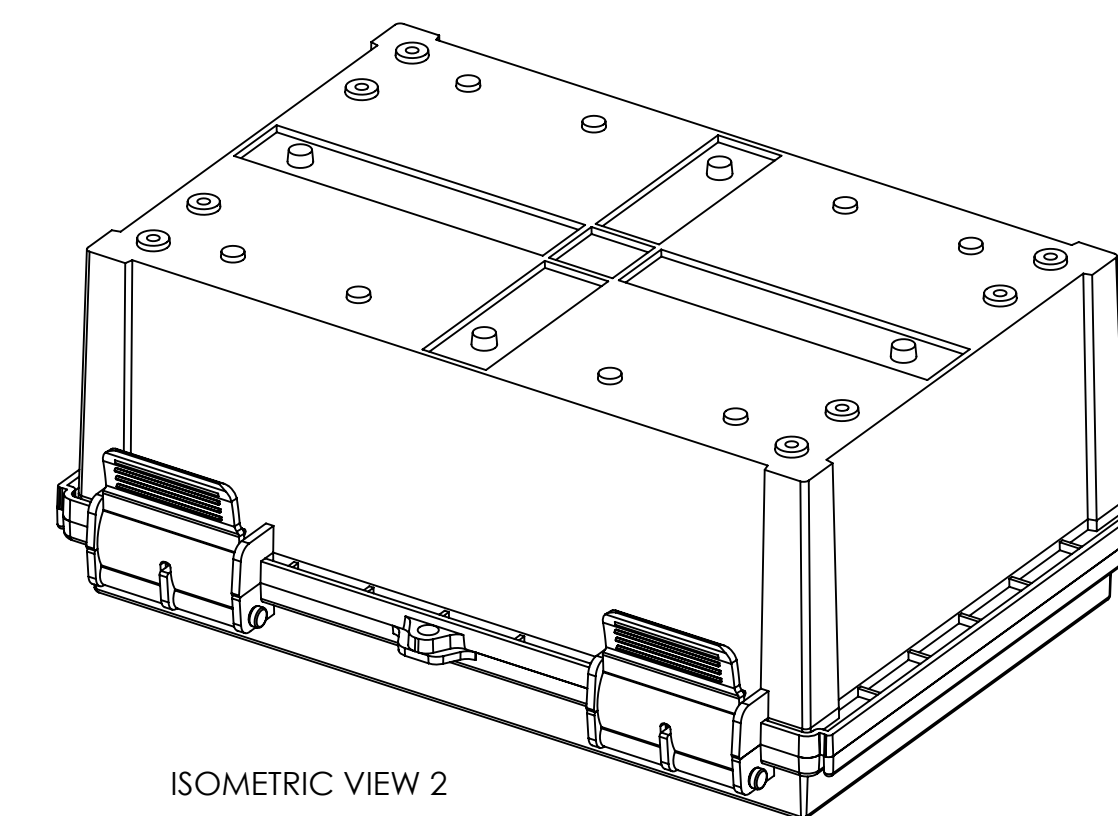
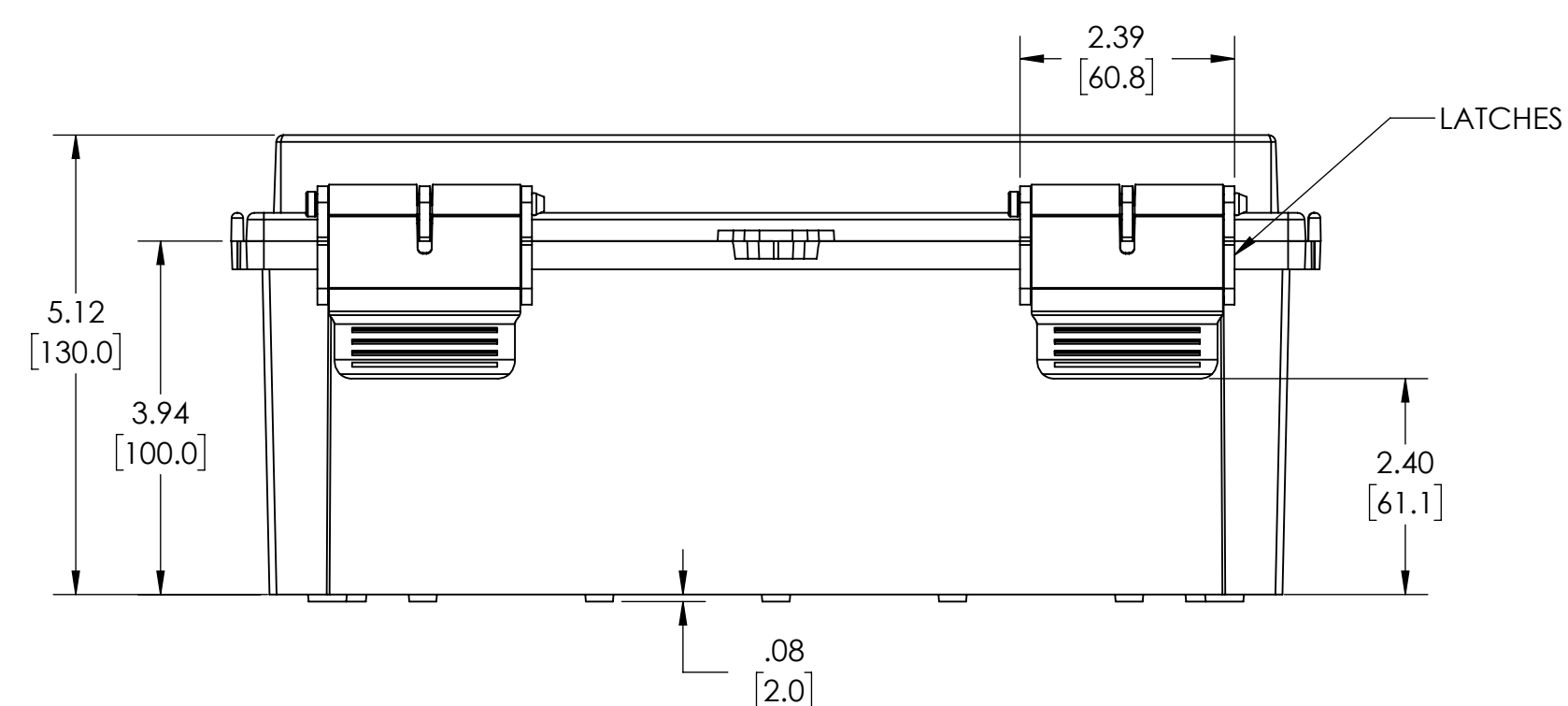
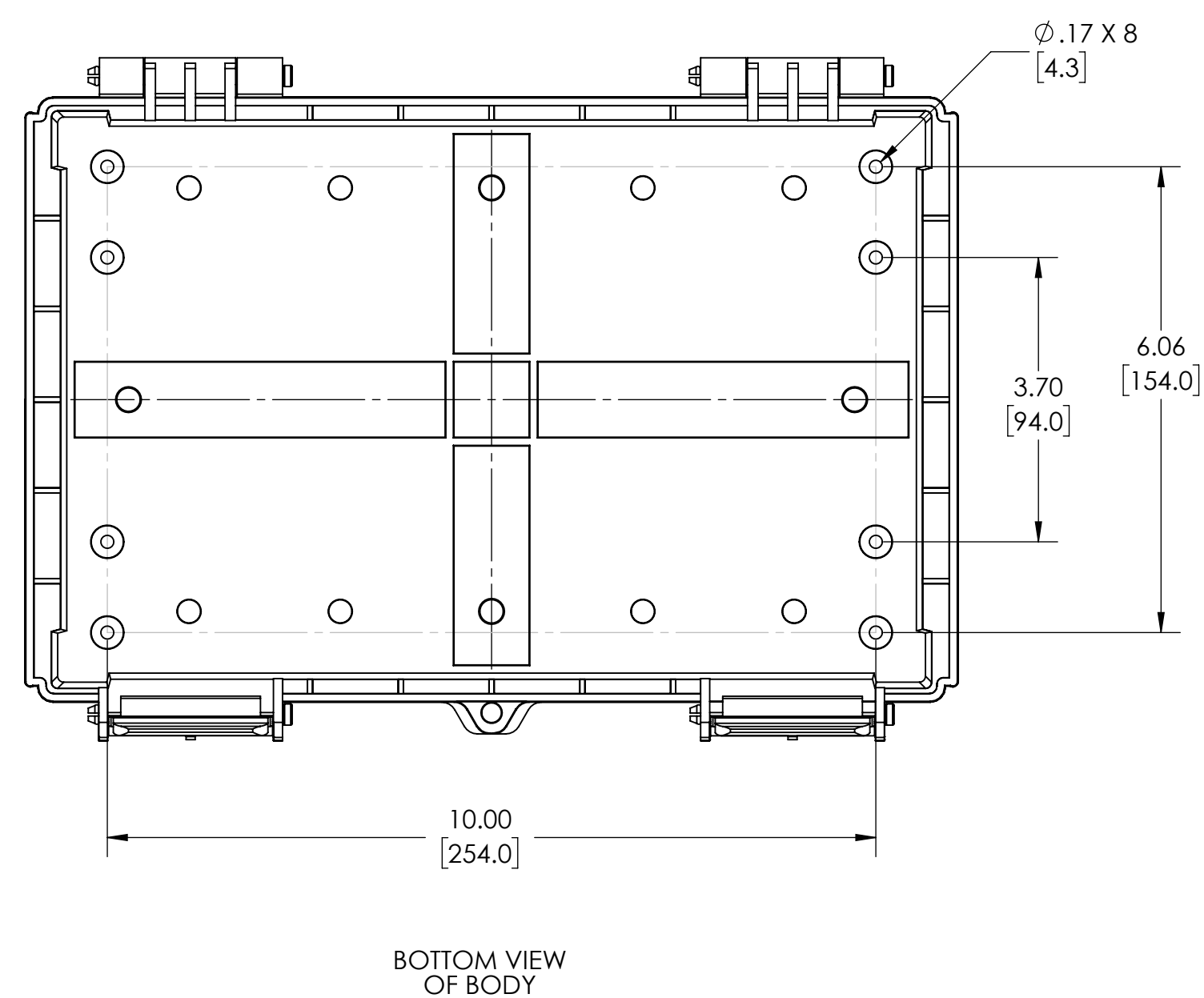
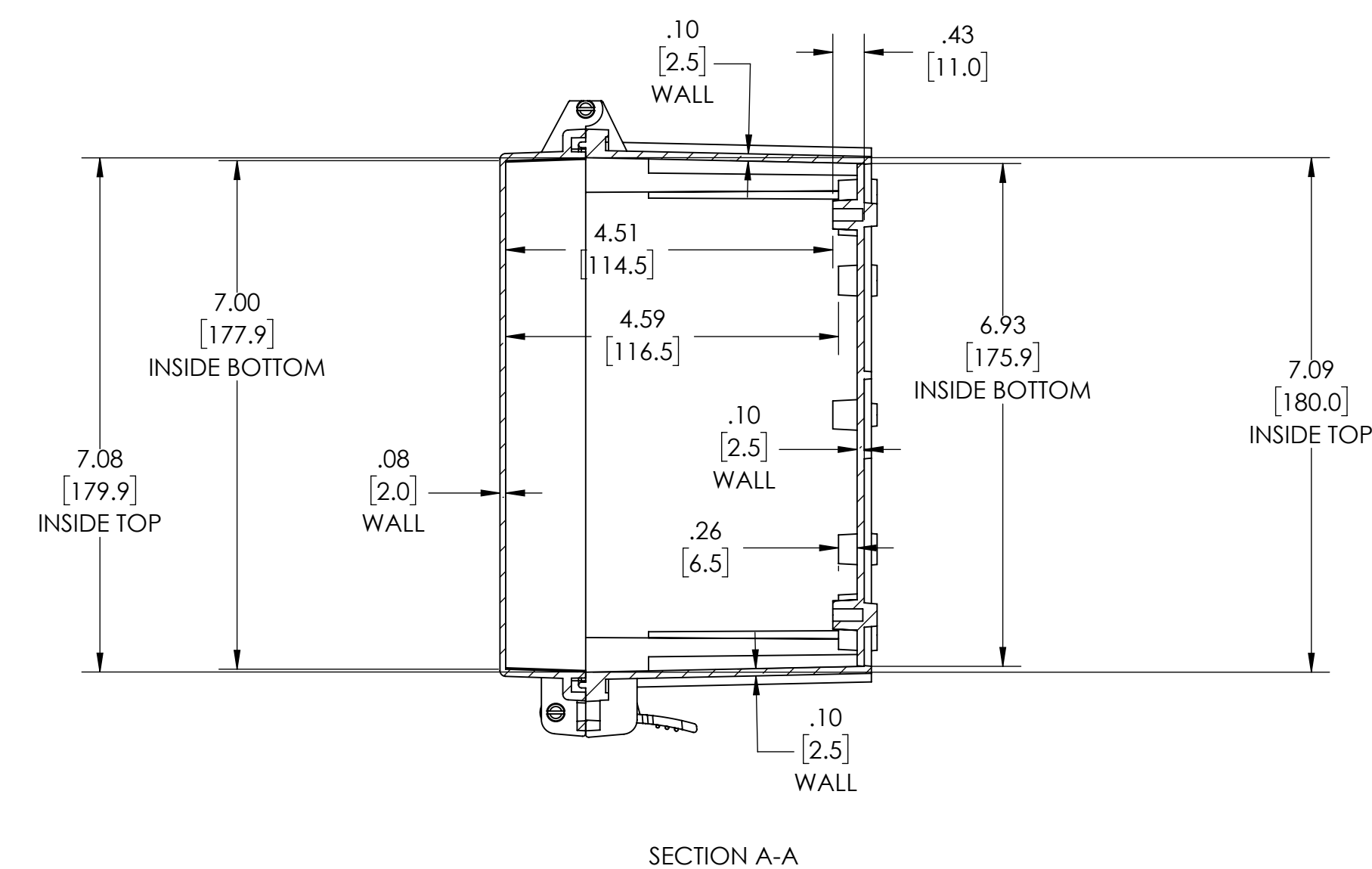
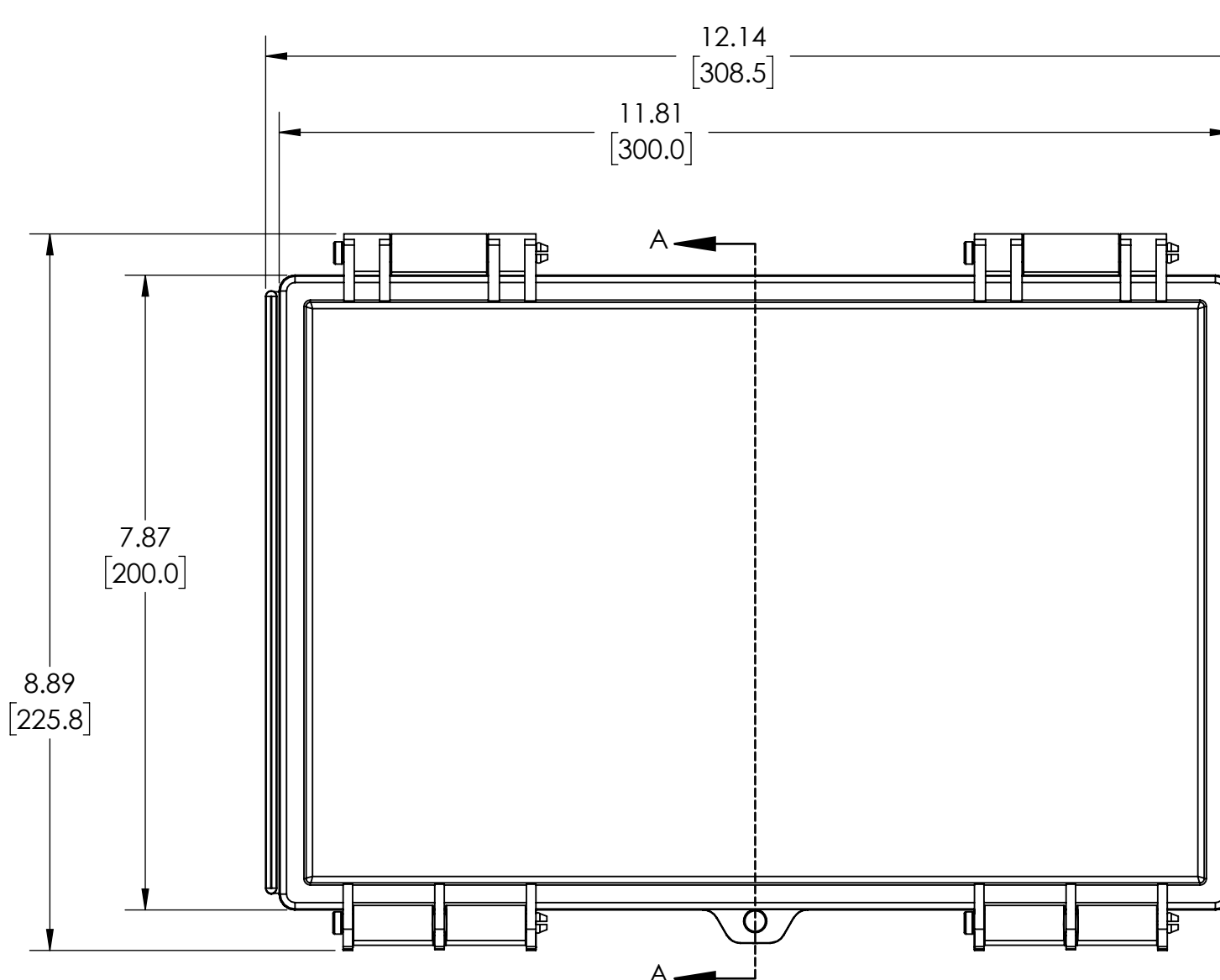
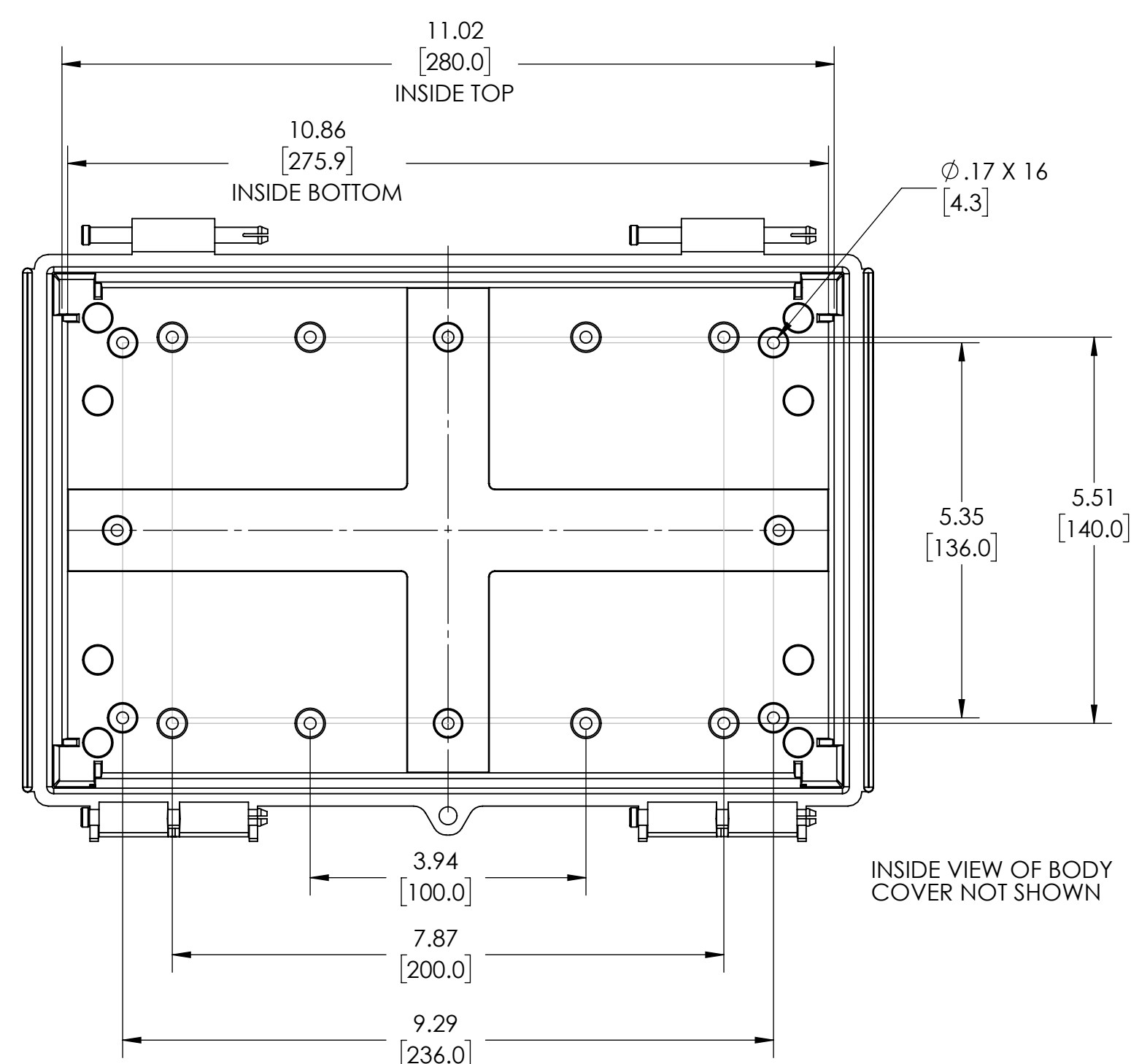
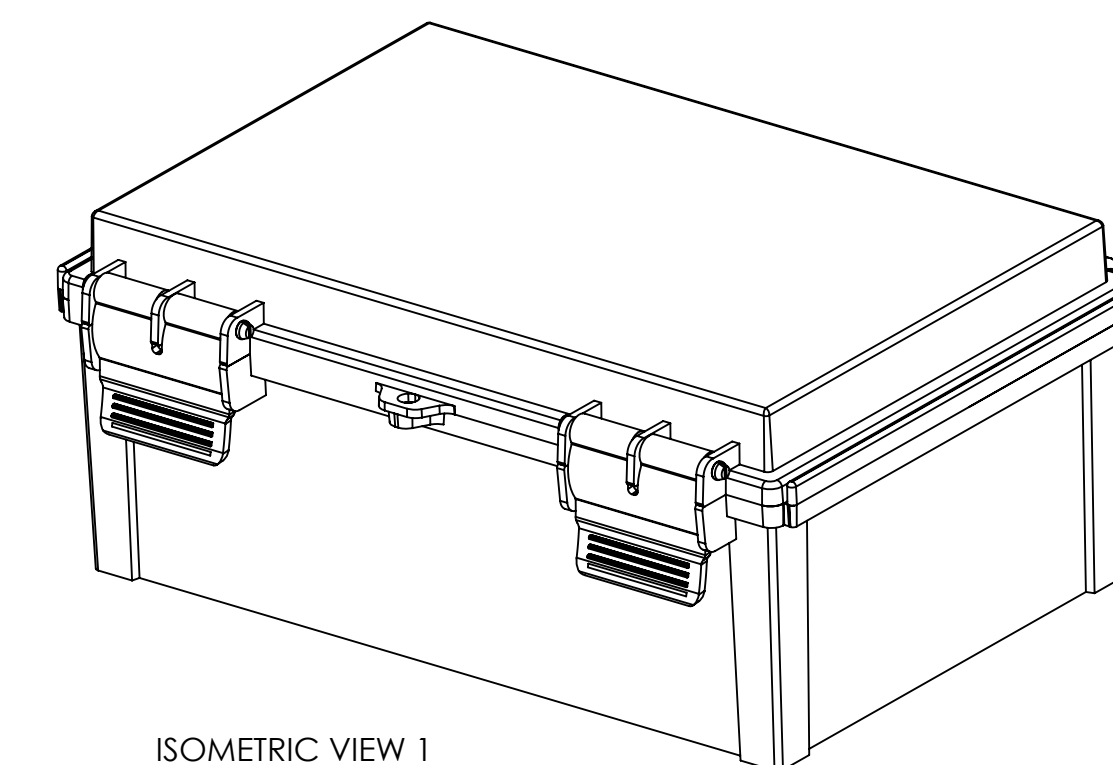
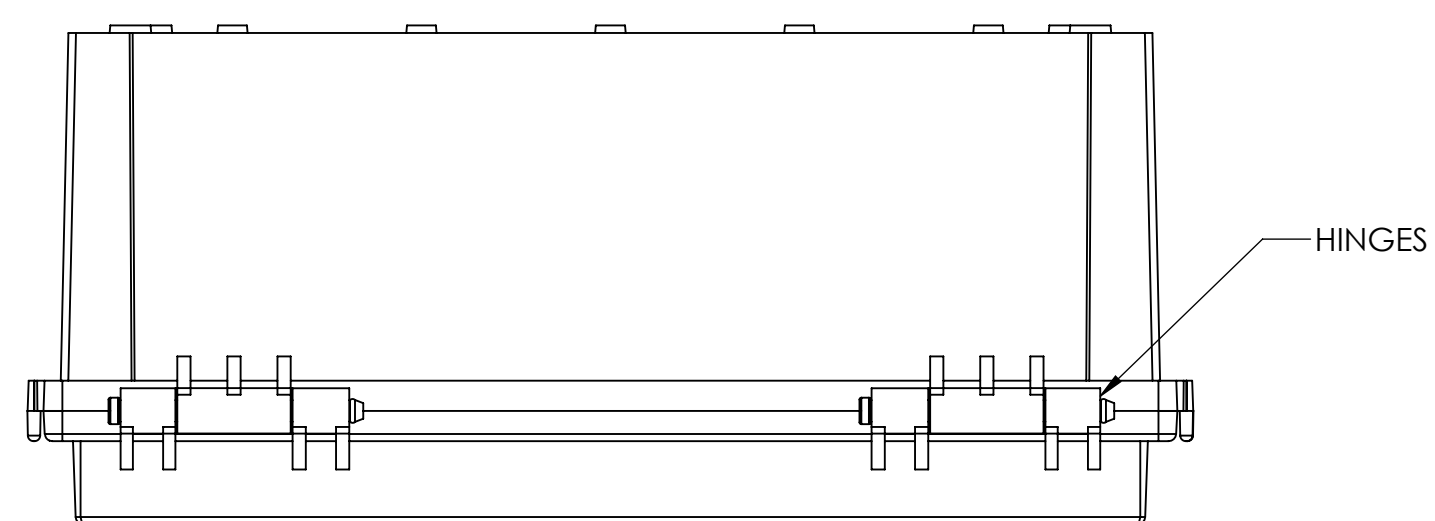
PTR-28486 & PTR-28486-C

REVISION DATE

12/16/2021

NOTES:

- MATERIAL:  
BODY - GRAY ABS  
COVER - GRAY ABS OR CLEAR (-C SUFFIX) POLYCARBONATE
- UL508 / NEMA TYPE 4X & 6P WITH IP-67 TUV RATING & UL-94 HB
- POURED CONTINUOUS GASKET
- SUPPLIED WITH PLASTIC INTERNAL PANEL - PTX-18486-P
- DIMENSIONS ARE INCH[MM]
- OPTIONAL ACCESSORIES:  
16 GA INTERNAL MOUNTING PLATE OR ABS  
EXTERNAL MOUNTING BRACKETS - NBX-10922, PIP-117-PMB



DRAWING FOR REFERENCE  
WE RESERVE THE RIGHT TO MAKE CHANGES TO OUR  
STANDARD PRODUCTS. PLEASE CONSULT WITH BUD INDUSTRIES  
PRIOR TO USING THIS DRAWING FOR DESIGN PURPOSES.